

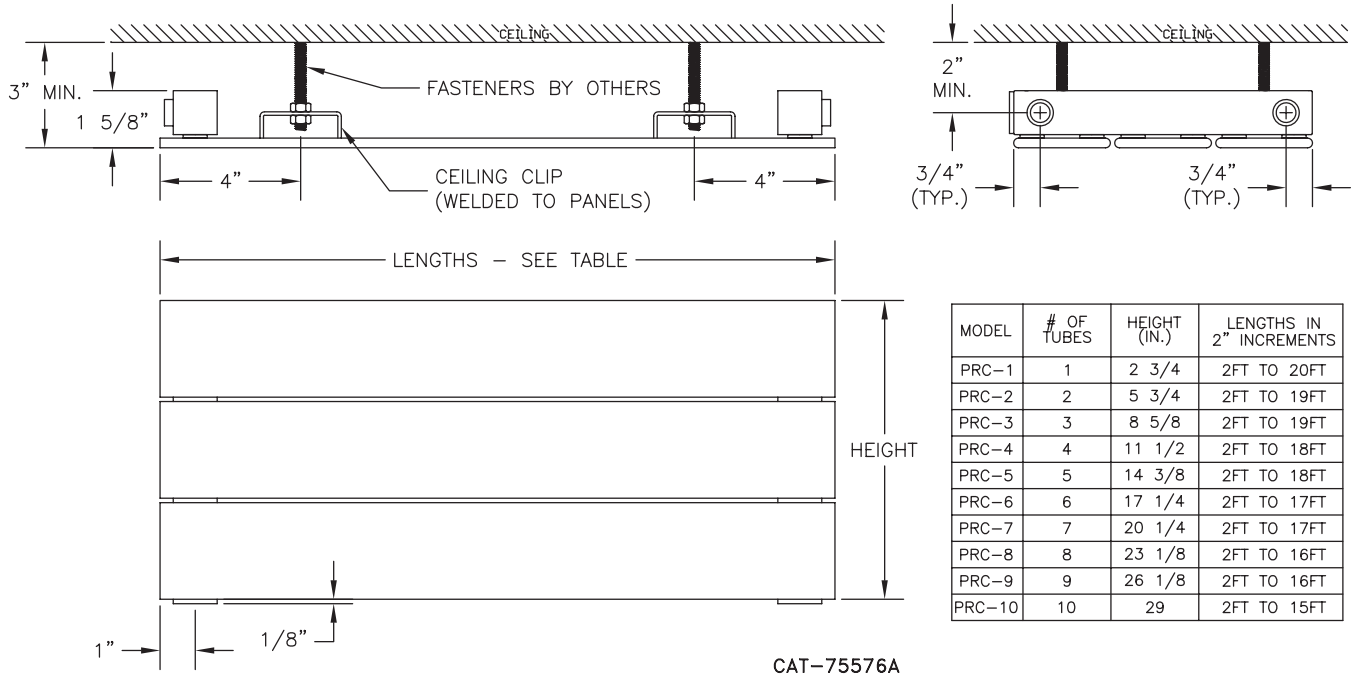
PANEL RADIATOR

Submittal

VPRC-1

Specification

PRC-1 to PRC-10



NOTES:

1. UNIT SHOWN WITH 1/2" NPT SIDE AND BOTTOM CONNECTIONS FOR DIMENSIONAL PURPOSES ONLY. REFER TO PIPE CONNECTION SHEET FOR CONNECTION LOCATIONS AND SIZES OFFERED.

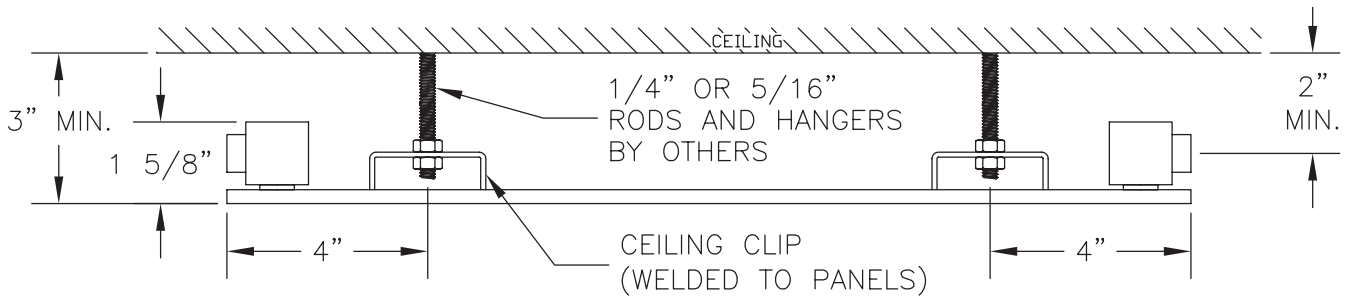
MODEL TYPE	BTU/Ft/Hr @ LISTED AWT & 65°f EAT								
	215° F	190° F	180° F	170° F	160° F	150° F	140° F	130° F	120° F
PRC 01	144	113	101	90	79	68	58	48	39
PRC 02	271	213	191	169	149	129	109	91	73
PRC 03	401	315	282	250	220	190	162	134	108
PRC 04	528	415	372	330	290	251	213	177	142
PRC 05	659	517	464	412	362	313	266	220	177
PRC 06	795	624	559	496	436	377	320	266	213
PRC 07	932	731	656	582	511	442	375	311	250
PRC 08	1067	837	751	667	585	506	430	357	287
PRC 09	1203	944	847	752	660	571	485	402	323
PRC 10	1340	1052	943	837	735	636	540	448	360



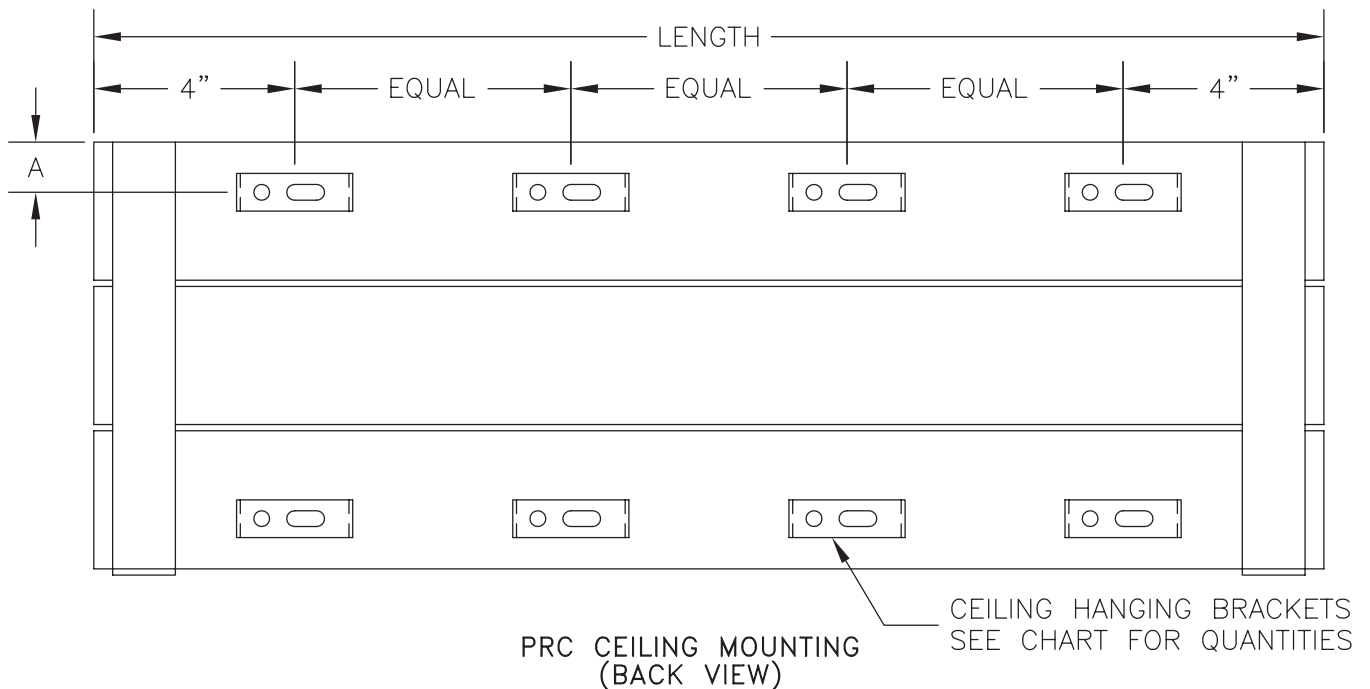
260 North Elm St., Westfield, MA 01085
 (413) 568-9571 Fax: (413) 564-5661
 www.vulcanrad.com

PROJECT: _____ DATE: _____
 LOCATION: _____
 ARCHITECT: _____
 ENGINEER: _____
 CONTRACTOR: _____
 PO NUMBER: _____

TYPICAL CEILING MOUNTED INSTALLATION



DIMENSIONAL DATA		
	1-4 TUBES	5+ TUBES
A	1"	4"

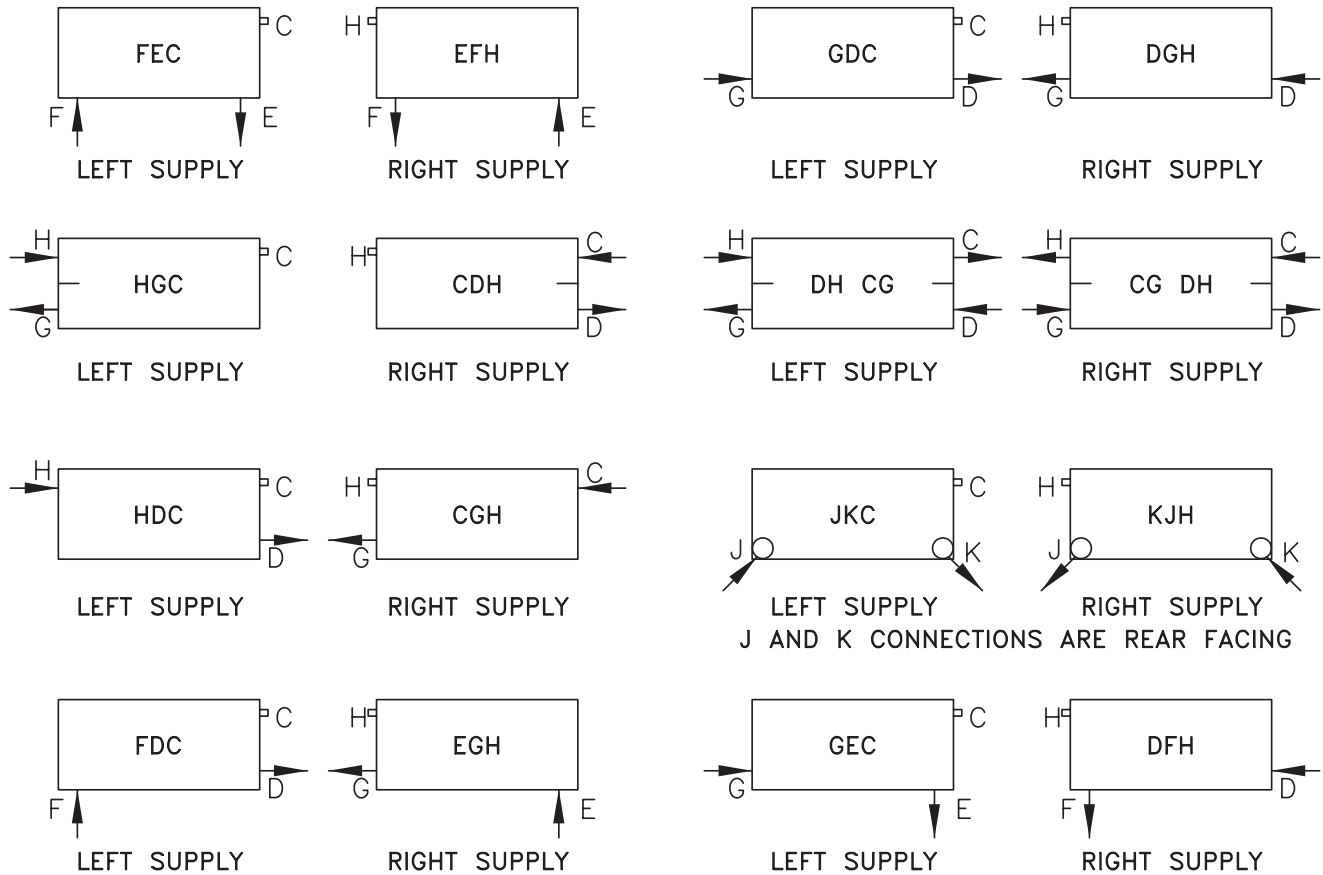


PANEL LENGTH	QTY. MOUNTING CLIP LOCATIONS
24" - 48"	4
50" - 84"	6
86" - 118"	8
120" - 152"	10
154" - 188"	12
190" - 222"	14
224" - 240"	16

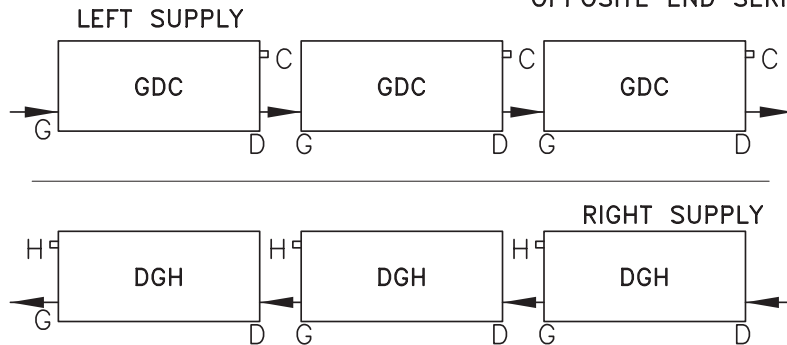
CAT-75590C

STANDARD PIPING CONNECTION LOCATIONS

PR, PRF, PRC PIPING OPTIONS

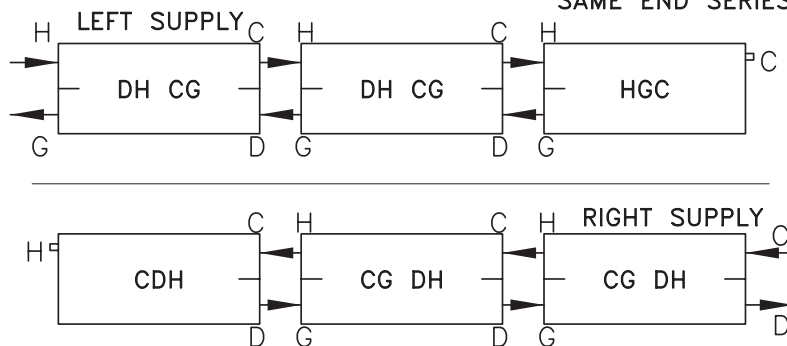


OPPOSITE END SERIES



- NOTES:
- VENT ON EACH PANEL
 - CAN ELIMINATE COSTLY RISERS
 - LOWER PD THAN SAME END SERIES
 - UP TO 7 RADIATORS (100 FT) IN SERIES OPPOSITE END
 - EXPANSION COMPENSATION PIPING TO BE PROVIDED BY OTHERS

SAME END SERIES



- NOTES:
- SAME AWT OVER THE ENTIRE SAME END SERIES
 - CAN ELIMINATE COSTLY RISERS
 - HIGHER PD THAN OPPOSITE END SERIES
 - NO MORE THAN 3 RADIATORS IN SERIES SAME END
 - EXPANSION COMPENSATION PIPING TO BE PROVIDED BY OTHERS

Model PRC

PANEL RADIATOR SPECIFICATIONS

Specifications

Provide steel panel radiator elements of lengths and in locations as indicated, and of capacities, style, and having accessories as scheduled. The ceiling hung heating panel radiation shall be of one-piece all-welded steel construction, consisting of flattened water tubes welded to headers at each end.

All radiator header pipes are square 0.109" minimum wall thickness. The headers shall include all necessary inlet, outlet and vent connections as required. Standard connection sizes are ½", NPT tapered thread for supply and return piping. Internal baffling is provided where required for proper water flow. Option 29, ¾" NPT connections are available at an additional cost, when specified.

The radiant heating panels shall be available in lengths from 2'-0" to 20'-0" in two inch even increments without the need for splicing. Required ceiling mounting hardware (typically threaded rod) is to be provided by the installing contractor. Panel radiation expansion shall not exceed 1/64" per foot of radiation at 215°F. The installer shall provide adequate expansion compensation for each radiator.

Pressure Ratings:

Pressure ratings for the radiation shall be as follows:

LOW (Standard)- .048" minimum wall thickness. Working pressure 56-PSI maximum, Test Pressure-74 PSI maximum

OR

MEDIUM (Optional)- .058" minimum wall thickness. Working pressure 85-PSI maximum, Test Pressure-110 PSI maximum

OR

HIGH (Optional)- .078" minimum wall thickness. Working pressure 128-PSI maximum, Test Pressure 184 PSI maximum

Finishes:

The panel radiation shall be cleaned and phosphatized in preparation for the powder coat finish. The radiation is then finish painted with a gloss powder coat finish, for a total paint thickness of 2-3 mils (0.002" - 0.003"). The color shall be selected from Vulcan's standard commercial colors. Optional custom colors shall be available at and additional cost.

Warranty:

A 5-Year Limited Warranty covers all Vulcan panel radiators.

Options:

Option 19, ¾" NPT connections are available at an additional cost, when specified.