

NST HI-OUTPUT 800

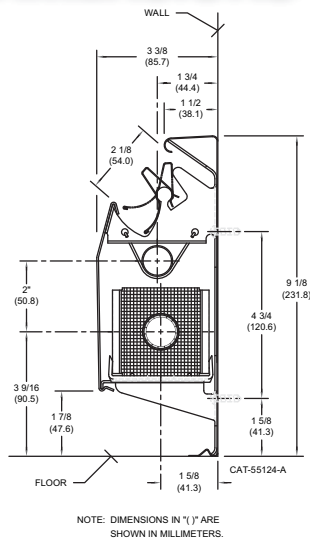


BASEBOARD RADIATION DESIGNED
AND ENGINEERED FOR COMMERCIAL,
INDUSTRIAL AND RESIDENTIAL



Vulcan
RADIATOR

DIMENSIONS



RATINGS

MODEL	GPM	AVERAGE HOT WATER TEMPERATURE °F - BTU/HR./LIN. FT.								
		140°	150°	160°	170°	180°	190°	200°	210°	220°
800 3/4"	4	470	560	650	750	850	940	1040	1140	1240
	1	445	530	620	710	800	890	980	1080	1170
800 1"	4	455	540	630	730	820	920	1010	1120	1220
	1	430	510	600	690	780	870	960	1060	1150

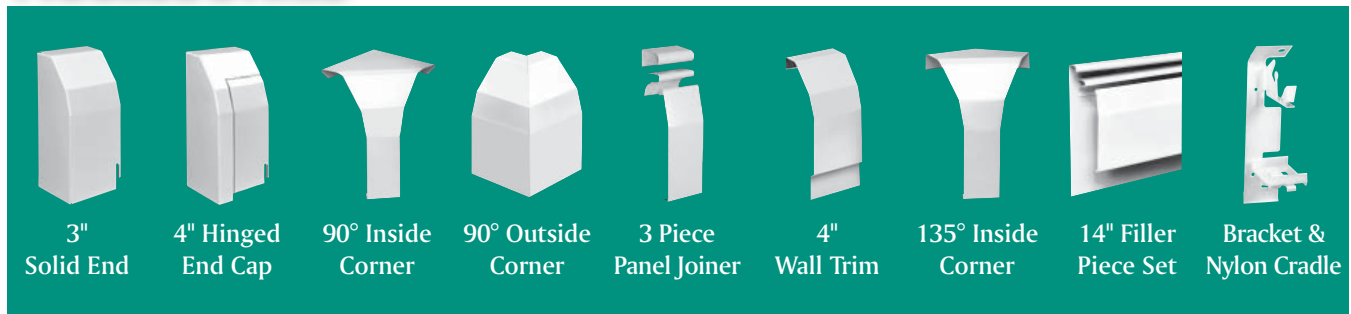
Correction Factors

If the calculated water flow rate through a baseboard is greater than the standard flow rate (1 GPM), the rating of that unit may be increased by multiplying the standard water rating at 1 GPM by the factor shown for the actual flow rate. All ratings based on 65°F entering air temperature.

GPM	HEAT OUTPUT FACTOR	PRES. DROP (Millinches/Ft)	
		3/4" ELEMENT	1" ELEMENT
1.0	1.000	47	13
1.5	1.016	96	26
2.0	1.028	157	43
2.5	1.038	230	63
3.0	1.045	320	87

GPM	HEAT OUTPUT FACTOR	PRES. DROP (Millinches/Ft)	
		3/4" ELEMENT	1" ELEMENT
3.5	1.051	420	114
4.0	1.057	525	145
4.5	1.062	650	178
5.0	1.067	775	216
6.0	1.074	1060	290

ACCESSORIES



PACKAGING

COMPLETE UNIT (3/4" TUBE)	COMPLETE UNIT (1" TUBE)	ENCLOSURE ONLY	ELEMENT ONLY (3/4" TUBE)	ELEMENT ONLY (1" TUBE)	LENGTH	NO. OF ELEMENT BRACKETS
800CU75-8	800CU100-8	800-CO-8	800-E75-8	800-E100-8	8'	4
800CU75-7	800CU100-7	800-CO-7	800-E75-7	800-E100-7	7'	3
800CU75-6	800CU100-6	800-CO-6	800-E75-6	800-E100-6	6'	3
800CU75-5	800CU100-5	800-CO-5	800-E75-5	800-E100-5	5'	3
800CU75-4	800CU100-4	800-CO-4	800-E75-4	800-E100-4	4'	2
800CU75-3	800CU100-3	800-CO-3	800-E75-3	800-E100-3	3'	2
800CU75-2	800CU100-2	800-CO-2	800-E75-2	800-E100-2	2'	2

Standard assembly includes one length each of back panel, 18 GA. front panel, damper, 3/4" or 1" element, plus required support brackets and element slide cradles. Joining piece set included with lengths of 5', 6' and 8' assemblies.

STANDARD ACCESSORIES

CATALOG NUMBER	DESCRIPTION	QTY.
800-REC	4" Hinged End Cap, Right	12
800-LEC	4" Hinged End Cap, Left	12
800-3REC	3" Solid End Cap, Right	10
800-3LEC	3" Solid End Cap, Left	10
800-4REC	4" Solid End Cap, Right	8
800-4LEC	4" Solid End Cap, Left	8
800-IC	90° Inside Corner	12

CATALOG NUMBER	DESCRIPTION	QTY.
800-ICB	135° Inside Corner	AO
800-OC	90° Outside Corner	10
800-OCB	135° Outside Corner	AO
800-WJ	4" Wall Trim to Floor	12
800-PJ3	2" Panel Joiner (3 pcs.)	12
800-FIS	14" Filler Piece Set (3 pcs.)	AO

CATALOG NUMBER	DESCRIPTION	QTY.
800-BR	Support Bracket & Element Cradle	AO
800-STH	Supply Tubing Lower Hanger	AO
800-RTH	Supply Tubing Upper Hanger	AO
800-TUP	Touch-Up Spray Paint	6
800-ESC	Element Side Cradle	12

NOTE: AO = Quantity As Ordered



260 North Elm Street, Westfield, MA 01085
Tel: 413-568-9571 • Fax: 413-564-5661
www.vulcanrad.com