

CLASSIC

Submittal

VTRC Trough
Classic Architectural
Copper/Aluminum and
Steel Elements

TR Trough Installation

Specification

TROUGH ENCLOSURE:

- STYLE: Classic Grille Type
 OUTLET: Extruded Aluminum Grille
 Pencil Proof
- LENGTHS: 2'0" thru 8'0" in 6" Increments
 MAT'L: 16 Ga. CRS (Std)
 14 Ga. CRS (Opt'l)
 16 Ga. Stainless Steel (Opt'l)
 14 Ga. Stainless Steel (Opt'l)
- FINISH: Baked Powder (Std)
 Baked Metallic

ELEMENT:

- TYPE: Cu/Al (Mechanically Expanded)
 LENGTHS: 2'0" thru 12'6" in 1" Increments for 1" & 1-1/4" Cu.
 2'0" thru 8'0" in 1" Increments or 3/4" Cu
- One End Flared, (Std)
- TYPE: IPS Steel (Mechanically Expanded)
 LENGTHS: 2'0" thru 12'0" in 1" Increments
 NPT Thread both Ends (Std)
 Beveled Ends for Field Weld

See Catalog for Working Pressures

LINER:

- LENGTH: 2'0" thru 8'0" in 6" Increments
 No Liner Required
 MAT'L: 20 Ga. Galvannealed (Opt'l)
 18 Ga. Painted Black (Opt'l)

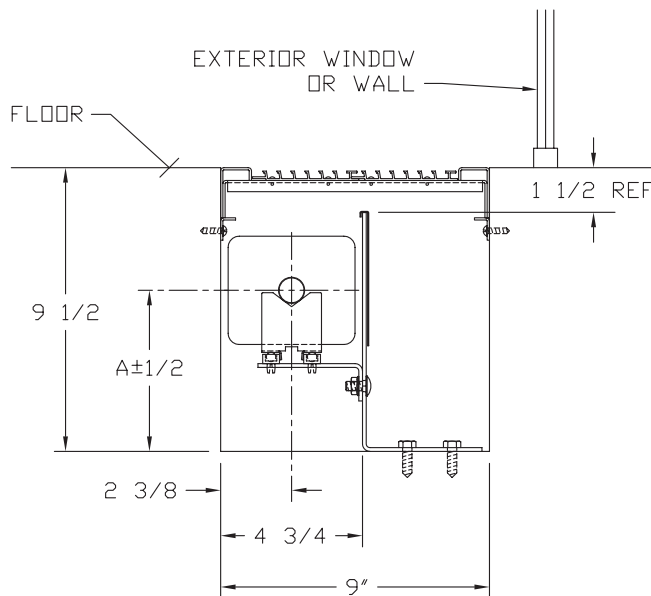
VERTICAL BAFFLE:

- LENGTH: 2'0" thru 8'0" in 6" Increments
 MAT'L: 20 Ga. Galvannealed (Opt'l)
 18 Ga. Painted Black (Opt'l)

BRACKETS:

- 1/8" Flat Stock Floor Brk't w/B.B. Element Support

TR



ELEMENT TUBE SIZE	FIN SIZE HEIGHT x WIDTH	CRADLE NUMBER	A
3/4 COPPER	3 5/8 x 4 1/4	2	5 3/8
3/4 COPPER	4 1/4 x 4 1/4	3A	5 3/4
1" COPPER	3 5/8 x 4 1/4	2	5 9/16
1" COPPER	4 1/4 x 4 1/4	2	5 9/16
1 1/4 COPPER	3 5/8 x 4 1/4	2	5 11/16
1 1/4 COPPER	4 1/4 x 4 1/4	2	5 11/16
1" STEEL	4 1/4 x 4 1/4	2	5 5/8
1 1/4 STEEL	4 1/4 x 4 1/4	2	5 7/8
2" STEEL	4 1/4 x 4 1/4	1	5 5/8

- Notes: 1. Trough Liner Optional (not shown)
 2. Classic Trough Grille Ass'y is not recommended for high traffic area's.

CAT-66965B

Vulcan

RADIATOR



260 North Elm St., Westfield, MA 01085
 (413) 568-9571 Fax: (413) 564-5661
 www.vulcanrad.com

PROJECT: _____ DATE: _____
 LOCATION: _____
 ARCHITECT: _____
 ENGINEER: _____
 CONTRACTOR: _____
 PO NUMBER: _____

STYLE TR

COPPER/ALUMINUM ELEMENT RATINGS

ALL RATINGS ARE BASED ON 3 FPS WATER VELOCITY, 65° EAT.

TUBE SIZE	CATALOG DESIGNATION	FIN SIZE HEIGHT X WIDTH	FIN PER FT.	FIN THICKNESS	TROUGH DEPTH & HEIGHT	STEAM RATING 215°F, 65°F E.A.T. BTU/FT/HR	HOT WATER RATINGS BTU/FT/HR AWT						
							180°	170°	160°	150°	140°	130°	120°
							0.69	0.61	0.53	0.45	.40	.33	.26
3/4"	VC3/4-433	3-5/8" x 4-1/4"	32	.020	9 1/2 x 9	1120	770	680	590	500	450	370	290
	VC3/4-434		40			1340	920	820	710	600	540	440	350
	VC3/4-435		50			1480	1020	900	780	670	590	490	380
1"	VC433	3-5/8" x 4-1/4"	32	.020	9 1/2 x 9	1170	810	710	620	530	470	390	300
	VC434		40			1300	900	790	690	590	520	430	340
	VC435		50			1480	1020	900	780	670	590	490	380
1 1/4"	VC1433	3-5/8" x 4-1/4"	32	.020	9 1/2 x 9	1210	830	740	640	540	480	400	310
	VC1434		40			1330	920	810	700	600	530	440	350
	VC1435		50			1480	1020	900	780	670	590	490	380
3/4"	VC3/4-43	4-1/4" SQ.	32	.020	9 1/2 x 9	1240	860	760	660	560	500	410	320
	VC3/4-44		40			1480	1020	900	780	670	590	490	380
	VC3/4-45		50			1530	1060	930	810	690	610	500	400
1"	VC43	4-1/4" SQ.	32	.020	9 1/2 x 9	1240	860	760	660	560	500	410	320
	VC44		40			1380	950	840	730	620	550	460	360
	VC45		50			1550	1070	950	820	700	620	510	400
1 1/4"	VC143	4-1/4" SQ.	32	.020	9 1/2 x 9	1300	900	790	690	590	520	430	340
	VC144		40			1540	1060	940	820	690	620	510	400
	VC145		50			1580	1090	960	840	710	630	520	410

NOTES:

1. Ratings are based on 24 sq. in. of free area per lineal foot of air inlet and outlet each.
2. Consult factory for systems using steam.
3. Confirm temperature of air on inside of glass window at outside winter design temperature. Apply correction factor for lower entering air temperature.

STEEL ELEMENT RATINGS*

ALL RATINGS ARE BASED ON 3 FPS WATER VELOCITY, 65° EAT.

TUBE SIZE	CATALOG DESIGNATION	FIN SIZE HEIGHT X WIDTH	FIN PER FT.	FIN THICKNESS	TROUGH DEPTH & HEIGHT	STEAM RATING 215°F, 65°F E.A.T. BTU/FT/HR	HOT WATER RATINGS BTU/FT/HR AWT						
							180°	170°	160°	150°	140°	130°	120°
							0.69	0.61	0.53	0.45	.40	.33	.26
1"	VS43	4-1/4" SQ.	32	.032	9 1/2 x 9	1220	840	740	650	550	490	400	320
	VS44		40			1380	950	840	730	620	550	460	360
	VS45		50			1460	1010	890	770	660	580	480	380
1-1/4"	VS143	4-1/4" SQ.	32	.032	6 3/4	1210	830	740	640	540	480	400	310
	VS144		40			1370	950	840	730	620	550	450	360
	VS145		50			1430	990	870	760	640	570	470	370
2"	VS242	4-1/4" SQ.	25	.032	6 3/4	1050	720	640	560	470	420	350	270
	VS243		32			1220	840	740	650	550	490	400	320

* Male NPT threads furnished on steel elements. Please use domestic fittings for proper installation.