

LINOVECTOR II

Submittal

TRV Trough
Copper/Aluminum and
Steel Elements

TRV Trough Installation

Specification

TROUGH ENCLOSURE:

- STYLE: Flat Plate
 OUTLET: Stamped Louver
 Pencil Proof
- LENGTHS: 2' thru 8' in 6" Increments
 MAT'L: 16 Ga. CRS STD.
 14 Ga. CRS (Opt'l)
 FINISH: Baked Enamel Std.
 16 Ga. Stainless Steel (Opt'l)
 14 Ga. Stainless Steel (Opt'l)

ELEMENT:

- TYPE: Cu/Al (Mechanically Expanded)
 LENGTHS: 2'0" thru 12'6" in 1" Increments for 1" & 1-1/4" Cu.
 2' thru 8' in 1" Increments for 3/4" Cu.
- One End Flared, Std.
- TYPE: IPS Steel (Mechanically Expanded)
 LENGTHS: 2'0" thru 12'6" in 1" Increments
 NPT Thread both Ends Std.
 Beveled Ends for Field Weld
 See Catalog for Working Pressures

LINER:

- LENGTHS: 2' thru 8' in 6" Increments
 No Liner Required
 MAT'L: 20 Ga. Galvannealed (Opt'l.)
 18 Ga. CRS Painted Black (Opt'l)

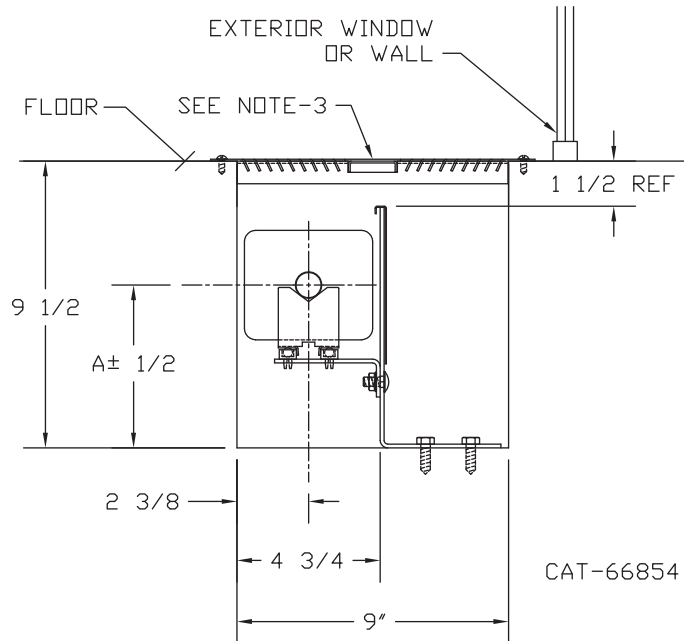
BRACKETS:

- Pedestal Brk't w/ B.B.
 Floor Mounted

TRV

ELEMENT	TUBE/FIN MATERIAL	TUBE SIZE	FIN SIZE	FIN THK.	FINS/ FOOT	CRADLE NO	A
VC3/4 435	CU/AL	3/4	4-1/4 x 3-5/8	.020	50	2	5-3/8
VC45	CU/AL	1"	4-1/4 x 4-1/4	.020	50	2	5-9/16
VC145	CU/AL	1-1/4	4-1/4 x 4-1/4	.020	50	2	5-11/16
VS144-032	STL/STL	1-1/4	4-1/4 x 4-1/4	.020	40	2	4-7/8
VS243-032	STL/STL	2"	4-1/4 x 4-1/4	.020	32	1	4-5/8

- Notes: 1) Shown with C3/4-435 element.
 2) Trough liner optional (not shown).
 3) Louvered grille by others, consult factory for availability.



260 North Elm St., Westfield, MA 01085
 (413) 568-9571 Fax: (413) 564-5661
 www.vulcanrad.com

PROJECT: _____ DATE: _____
 LOCATION: _____
 ARCHITECT: _____
 ENGINEER: _____
 CONTRACTOR: _____
 PO NUMBER: _____

STYLE "TR" TROUGH

COPPER/ALUMINUM ELEMENT RATINGS

TUBE SIZE	CATALOG DESIGNATION	FIN SIZE	FIN PER FT.	FIN THICKNESS	TROUGH DEPTH AND HEIGHT IN INCHES	NUMBER OF ELEMENTS	ENTERING AIR TEMP F°	STEAM 215° FACTOR 1.00	HOT WATER (AVG.)					
									200°	190°	180°	170°	160°	150°
									FACTOR					
									.86	.78	.69	.61	.53	.45
3/4"	VC3/4-433	4-1/4" x 3-5/8"	32	.020"	9-1/2 x 9	1	47°	1090	940	860	760	670	580	500
	VC3/4-434		40	"	"	1	47°	1230	1060	960	850	760	660	560
	VC3/4-435		50	"	"	1	47°	1330	1150	1040	920	820	710	600
1"	VC433	4-1/4" x 3-5/8"	32	.020"	9-1/2 x 9	1	47°	1130	980	890	780	690	600	510
	VC434		40	"	"	1	47°	1270	1100	1000	880	780	680	580
	VC435		50	"	"	1	47°	1390	1200	1090	960	850	740	630
1-1/4"	VC1433	4-1/4" x 3-5/8"	32	.020"	9-1/2 x 9	1	47°	1110	960	870	770	680	590	500
	VC1434		40	"	"	1	47°	1250	1080	980	870	770	670	570
	VC1435		50	"	"	1	47°	1370	1180	1070	950	840	730	620
1"	VC43	4-1/4" x 4-1/4"	32	.020"	9-1/2 x 9	1	47°	1240	1070	970	860	760	660	560
	VC44		40	"	"	1	47°	1410	1220	1100	980	870	750	640
	VC45		50	"	"	1	47°	1450	1250	1140	1010	890	770	660
1-1/4"	VC143	4-1/4" x 4-1/4"	32	.020"	9-1/2 x 9	1	47°	1220	1050	960	850	750	650	550
	VC144		40	"	"	1	47°	1380	1190	1080	960	850	740	630
	VC145		50	"	"	1	47°	1420	1230	1110	980	870	760	640

- Notes: 1) Ratings are based on 24 sq. in. of free area per linear foot of air inlet and outlet each.
 2) To determine ratings with 65°F Entering Air Temperature, select the appropriate rating from the chart above and divide by 1.20.
 3) For systems using steam, consult factory.

STEEL ELEMENT RATINGS

I.P.S. SIZE	CATALOG DESIGNATION	FIN SIZE	FIN PER FT.	FIN THICKNESS	TROUGH DEPTH AND HEIGHT IN INCHES	NUMBER OF ELEMENTS	ENTERING AIR TEMP F°	STEAM 215° FACTOR 1.00	HOT WATER (AVG.)					
									200°	190°	180°	170°	160°	150°
									FACTOR					
									.86	.78	.69	.61	.53	.45
1-1/4"	VS143	4-1/4" x 4-1/4"	32	.032"	9-1/2 x 9	1	47°	1090	940	860	760	670	580	500
	VS144		40	"	"	1	47°	1230	1060	960	850	760	660	560
2"	VS242	4-1/4" x 3-5/8"	25	.032"	9-1/2 x 9	1	47°	950	820	750	660	580	510	430
	VS243		32	"	"	1	47°	1100	950	860	760	680	590	500

- Notes: 1) Ratings are based on 24 sq. in. of free area per linear foot of air inlet and outlet each.
 2) To determine ratings with 65°F Entering Air Temperature, select the appropriate rating from the chart above and divide by 1.20.
 3) For systems using steam, consult factory.