

LINOVECTOR II

Submittal

LV4-S 14, 20, 24
Slope Top Enclosures
Copper/Aluminum &
Steel Element Ratings

LV4 Slip Jointed Enclosure

Specification

ENCLOSURE:

- STYLE: Slope
OUTLET: Stamped Louvers
Pencil Proof
- LENGTHS: 2' thru 8' in 6" Increments
MAT'L: 18 Ga. CRS STD.
 16 Ga. CRS (Opt'l)
 14 Ga. CRS (Opt'l)
- FINISH: Prime Finish Std.
 Baked Enamel (Opt'l).
 16 Ga. Stainless Steel (Opt'l)
 14 Ga. Aluminum (Opt'l)

ACCESSORIES:

- Overlapping Type
All accessories return to the wall at the bottom and have pre-punched holes for fastening to the wall.

ELEMENT:

- TYPE: Cu/Al (Mechanically Expanded)
LENGTHS: 2'0" thru 12'6" in 1" Increments for 1" & 1-1/4" Cu.
2' thru 8' in 1" Increments for 3/4" Cu.
One End Flared, Std.
- TYPE: IPS Steel (Mechanically Expanded)
LENGTHS: 2'0" thru 12'6" in 1" Increments
 NPT Thread both Ends Std.
 Beveled Ends for Field Weld
See Catalog for Working Pressures

BACKPLATE:

- TYPE: Partial B/P
LENGTHS: 8' Only
MAT'L: 20 Ga. Prepainted Std.
 18 Ga. Galvannealed (Opt'l)
- TYPE: Full Ht. B/P (Opt'l)
LENGTHS: 2' thru 8' in 6" increments
MAT'L: 20 Ga. Galvannealed (Opt'l)
 18 Ga. Painted (Opt'l)

AIRSEAL:

- 1/8" x 3/8" Closed Cell (Opt'l)

BRACKETS:

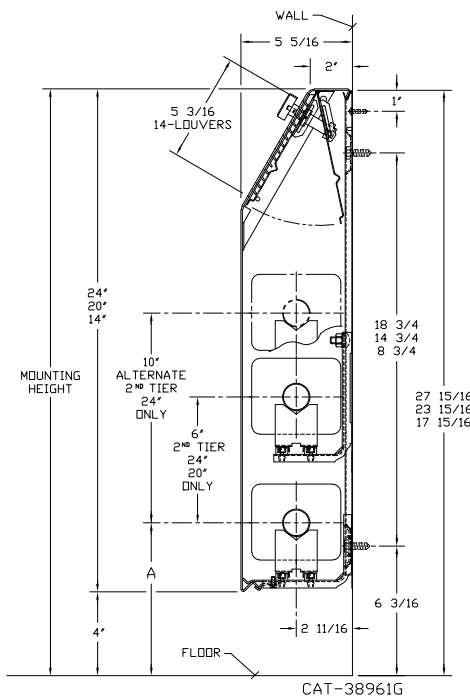
- Water Brkt w/B.B.
 Steam Brkt w/Brkt Mtd B.B. Hngr

DAMPER:

- Damper Blades Factory Installed
 Knob Damper (Opt'l)
 Tamper Resistant (Opt'l)

LV4-S 14 20 24

| ELEMENT TUBE SIZE | CRADLE | A |
|-------------------|--------|--------|
| 3/4" COPPER | 2 | 7 |
| 1" COPPER | 2 | 7-3/16 |
| 1-1/4" COPPER | 2 | 7-5/16 |
| 1-1/4" STEEL | 2 | 7-1/2 |
| 2" STEEL | 1 | 7-1/4 |



260 North Elm St., Westfield, MA 01085
(413) 568-9571 Fax: (413) 564-5661
www.vulcanrad.com

PROJECT: _____ DATE: _____

LOCATION: _____

ARCHITECT: _____

ENGINEER: _____

CONTRACTOR: _____

PO NUMBER: _____

STYLE "LV4-S" SLOPE TOP

| STEEL ELEMENT | | | | | | | | STEAM 215° FACTOR | HOT WATER (AVG.) | | | | | |
|----------------|------------------------|-----------------------|--------|------------------|--------------------------|--------------------------------|--------------------------|-------------------------|------------------|-------------|-------------|-------------|-------------|-------------|
| I.P.S. SIZE | CATALOG DESIGNATION | FIN SIZE IN INCHES | FIN/FT | FIN THICKNESS | ENCL HEIGHT IN INCHES | TIERS AND CENTERS IN INCHES | MTG. HEIGHT IN INCHES | | 1.00 | 0.86 | 0.78 | 0.69 | 0.61 | 0.53 |
| 1-1/4" | VS143 | 4-1/4" SQ. | 32 | .032" | 14 | 1 | 18 | 1400 | 1200 | 1090 | 970 | 850 | 740 | 630 |
| | | | | | 20 | 1 | 24 | 1450 | 1250 | 1130 | 1000 | 880 | 770 | 650 |
| | | | | | " | 2-6 CL | " | 2180 | 1870 | 1700 | 1500 | 1330 | 1160 | 980 |
| | | | | | 24 | 1 | 28 | 1490 | 1280 | 1160 | 1030 | 910 | 790 | 670 |
| | | | | | " | 2-6 CL | " | 2250 | 1940 | 1760 | 1550 | 1370 | 1190 | 1010 |
| 1-1/4" | VS144 | 4-1/4" SQ. | 40 | .032" | 14 | 1 | 18 | 1570 | 1350 | 1230 | 1080 | 960 | 830 | 710 |
| | | | | | 20 | 1 | 24 | 1670 | 1440 | 1300 | 1150 | 1020 | 890 | 750 |
| | | | | | " | 2-6 CL | " | 2370 | 2040 | 1850 | 1640 | 1450 | 1260 | 1070 |
| | | | | | 24 | 1 | 28 | 1730 | 1490 | 1350 | 1190 | 1060 | 920 | 780 |
| | | | | | " | 2-6 CL | " | 2480 | 2130 | 1930 | 1710 | 1510 | 1310 | 1120 |
| 2" | VS242 | 4-1/4" SQ. | 25 | .032" | 14 | 1 | 18 | 1200 | 1030 | 940 | 830 | 730 | 640 | 540 |
| | | | | | 20 | 1 | 24 | 1230 | 1060 | 960 | 850 | 750 | 650 | 550 |
| | | | | | " | 2-6 CL | " | 1930 | 1660 | 1510 | 1330 | 1180 | 1020 | 870 |
| | | | | | 24 | 1 | 28 | 1250 | 1080 | 980 | 860 | 760 | 660 | 560 |
| | | | | | " | 2-6 CL | " | 1940 | 1670 | 1510 | 1340 | 1180 | 1030 | 870 |
| 2" | VS243 | 4-1/4" SQ. | 32 | .032" | 14 | 1 | 18 | 1400 | 1200 | 1090 | 970 | 850 | 740 | 630 |
| | | | | | 20 | 1 | 24 | 1450 | 1250 | 1130 | 1000 | 890 | 770 | 650 |
| | | | | | " | 2-6 CL | " | 2110 | 1820 | 1650 | 1460 | 1290 | 1120 | 950 |
| | | | | | 24 | 1 | 28 | 1490 | 1280 | 1160 | 1030 | 910 | 790 | 670 |
| | | | | | " | 2-6 CL | " | 2180 | 1880 | 1700 | 1500 | 1330 | 1160 | 980 |
| | | | | | | | | 2260 | 1940 | 1760 | 1560 | 1380 | 1200 | 1020 |

- Notes: 1) Steel fins furnished as .032 thick painted black.
 2) NPT threads furnished on steel elements. Please use domestic fittings for proper installation.
 3) The ends can be provided chamfered for field welded fittings when specified.

| COPPER/ALUMINUM ELEMENT | | | | | | | | STEAM 215° FACTOR | HOT WATER (AVG.) | | | | | |
|-------------------------|------------------------|-----------------------|--------|------------------|--------------------------|--------------------------------|--------------------------|-------------------------|------------------|------|------|------|------|------|
| TUBE SIZE | CATALOG DESIGNATION | FIN SIZE IN INCHES | FIN/FT | FIN THICKNESS | ENCL HEIGHT IN INCHES | TIERS AND CENTERS IN INCHES | MTG. HEIGHT IN INCHES | | 1.00 | 0.86 | 0.78 | 0.69 | 0.61 | 0.53 |
| 3/4" | VC3/4-434 | 4-1/4 x 3-5/8 | 40 | .020" | 14 | 1 | 18 | 1700 | 1460 | 1330 | 1170 | 1040 | 900 | 770 |
| | | | | | 20 | 1 | 24 | 1820 | 1570 | 1420 | 1260 | 1110 | 960 | 820 |
| | | | | | " | 2-6 CL | " | 2580 | 2220 | 2010 | 1780 | 1570 | 1370 | 1160 |
| | | | | | 24 | 1 | 28 | 1910 | 1640 | 1490 | 1320 | 1170 | 1010 | 860 |
| | | | | | " | 2-6 CL | " | 2700 | 2320 | 2110 | 1860 | 1650 | 1430 | 1220 |
| 3/4" | VC3/4-435 | 4-1/4 x 3-5/8 | 50 | .020" | 14 | 1 | 18 | 1840 | 1580 | 1440 | 1270 | 1120 | 980 | 830 |
| | | | | | 20 | 1 | 24 | 2090 | 1800 | 1630 | 1440 | 1270 | 1110 | 940 |
| | | | | | " | 2-6 CL | " | 2820 | 2430 | 2200 | 1950 | 1720 | 1490 | 1270 |
| | | | | | 24 | 1 | 28 | 2260 | 1940 | 1760 | 1560 | 1380 | 1200 | 1020 |
| | | | | | " | 2-6 CL | " | 3110 | 2670 | 2430 | 2150 | 1900 | 1650 | 1400 |
| 1" | VC433 | 4-1/4 x 3-5/8 | 32 | .020" | 14 | 1 | 18 | 1540 | 1320 | 1200 | 1060 | 940 | 820 | 690 |
| | | | | | 20 | 1 | 24 | 1620 | 1390 | 1260 | 1120 | 990 | 860 | 730 |
| | | | | | " | 2-6 CL | " | 2500 | 2150 | 1950 | 1730 | 1530 | 1330 | 1130 |
| | | | | | 24 | 1 | 28 | 1690 | 1450 | 1320 | 1170 | 1030 | 900 | 760 |
| | | | | | " | 2-6 CL | " | 2590 | 2230 | 2020 | 1790 | 1580 | 1370 | 1170 |
| 1" | VC434 | 4-1/4 x 3-5/8 | 40 | .020" | 14 | 1 | 18 | 1780 | 1530 | 1390 | 1230 | 1090 | 940 | 800 |
| | | | | | 20 | 1 | 24 | 1900 | 1630 | 1480 | 1310 | 1160 | 1010 | 860 |
| | | | | | " | 2-6 CL | " | 2660 | 2290 | 2070 | 1840 | 1620 | 1410 | 1200 |
| | | | | | 24 | 1 | 28 | 1990 | 1710 | 1550 | 1370 | 1210 | 1050 | 900 |
| | | | | | " | 2-6 CL | " | 2770 | 2380 | 2160 | 1910 | 1690 | 1470 | 1250 |
| 1" | VC435 | 4-1/4 x 3-5/8 | 50 | .020" | 14 | 1 | 18 | 1930 | 1660 | 1510 | 1330 | 1180 | 1020 | 870 |
| | | | | | 20 | 1 | 24 | 2180 | 1870 | 1700 | 1500 | 1330 | 1160 | 980 |
| | | | | | " | 2-6 CL | " | 2640 | 2270 | 2060 | 1820 | 1610 | 1400 | 1190 |
| | | | | | 24 | 1 | 28 | 2360 | 2030 | 1840 | 1630 | 1440 | 1250 | 1060 |
| | | | | | " | 2-6 CL | " | 2910 | 2500 | 2270 | 2010 | 1780 | 1540 | 1310 |
| | | | | | | | | 3000 | 2580 | 2340 | 2070 | 1830 | 1590 | 1350 |

STYLE "LV4-S" SLOPE TOP

| COPPER/ALUMINUM ELEMENT | | | | | | | | STEAM 215° FACTOR | HOT WATER (AVG.) | | | | | |
|-------------------------|------------------------|-----------------------|--------|------------------|--------------------------|--------------------------------|--------------------------|-------------------------|------------------|------|------|------|------|------|
| TUBE SIZE | CATALOG DESIGNATION | FIN SIZE IN INCHES | FIN/FT | FIN THICKNESS | ENCL HEIGHT IN INCHES | TIERS AND CENTERS IN INCHES | MTG. HEIGHT IN INCHES | | 200° | 190° | 180° | 170° | 160° | 150° |
| | | | | | | | | FACTOR | | | | | | |
| | | | | | | | | 1.00 | 0.86 | 0.78 | 0.69 | 0.61 | 0.53 | 0.45 |
| 1-1/4" | VC1433 | 4-1/4 x 3-5/8 | 32 | .020" | 14 | 1 | 18 | 1450 | 1250 | 1130 | 1000 | 880 | 770 | 650 |
| | | | | | 20 | 1 | 24 | 1530 | 1320 | 1190 | 1060 | 930 | 810 | 690 |
| | | | | | " | 2-6 CL | " | 2360 | 2030 | 1840 | 1630 | 1440 | 1250 | 1060 |
| | | | | | 24 | 1 | 28 | 1590 | 1370 | 1240 | 1100 | 970 | 840 | 720 |
| | | | | | " | 2-6 CL | " | 2450 | 2110 | 1910 | 1690 | 1490 | 1300 | 1100 |
| 1-1/4" | VC1434 | 4-1/4 x 3-5/8 | 40 | .020" | 14 | 1 | 18 | 1740 | 1500 | 1360 | 1200 | 1060 | 920 | 780 |
| | | | | | 20 | 1 | 24 | 1880 | 1620 | 1470 | 1300 | 1150 | 1000 | 850 |
| | | | | | " | 2-6 CL | " | 2610 | 2240 | 2040 | 1800 | 1590 | 1380 | 1170 |
| | | | | | 24 | 1 | 28 | 1950 | 1680 | 1520 | 1350 | 1190 | 1030 | 880 |
| | | | | | " | 2-6 CL | " | 2710 | 2330 | 2110 | 1870 | 1650 | 1440 | 1220 |
| 1-1/4" | VC1435 | 4-1/4 x 3-5/8 | 50 | .020" | 14 | 1 | 18 | 1860 | 1600 | 1450 | 1280 | 1130 | 990 | 840 |
| | | | | | " | 1 | 24 | 2130 | 1830 | 1660 | 1470 | 1300 | 1130 | 960 |
| | | | | | " | 2-6 CL | " | 2510 | 2160 | 1960 | 1730 | 1530 | 1330 | 1130 |
| | | | | | 24 | 1 | 28 | 2270 | 1950 | 1770 | 1570 | 1380 | 1200 | 1020 |
| | | | | | " | 2-6 CL | " | 2810 | 2420 | 2190 | 1940 | 1710 | 1490 | 1260 |
| 1" | VC43 | 4-1/4" SQ. | 32 | .020" | 14 | 1 | 18 | 1650 | 1420 | 1290 | 1140 | 1010 | 880 | 740 |
| | | | | | 20 | 1 | 24 | 1740 | 1500 | 1360 | 1200 | 1060 | 920 | 780 |
| | | | | | " | 2-6 CL | " | 2590 | 2230 | 2020 | 1790 | 1580 | 1370 | 1170 |
| | | | | | 24 | 1 | 28 | 1810 | 1560 | 1410 | 1250 | 1100 | 960 | 820 |
| | | | | | " | 2-6 CL | " | 2830 | 2430 | 2210 | 1950 | 1730 | 1500 | 1270 |
| 1" | VC44 | 4-1/4" SQ. | 40 | .020" | 14 | 1 | 18 | 1880 | 1620 | 1470 | 1300 | 1150 | 1000 | 850 |
| | | | | | 20 | 1 | 24 | 2040 | 1750 | 1590 | 1410 | 1240 | 1080 | 920 |
| | | | | | " | 2-6 CL | " | 2690 | 2310 | 2100 | 1860 | 1640 | 1430 | 1210 |
| | | | | | 24 | 1 | 28 | 2140 | 1840 | 1670 | 1480 | 1310 | 1130 | 960 |
| | | | | | " | 2-6 CL | " | 2920 | 2510 | 2280 | 2010 | 1780 | 1550 | 1310 |
| 1" | VC45 | 4-1/4" SQ. | 50 | .020" | 14 | 1 | 18 | 2060 | 1770 | 1610 | 1420 | 1260 | 1090 | 930 |
| | | | | | 20 | 1 | 24 | 2340 | 2010 | 1830 | 1610 | 1430 | 1240 | 1050 |
| | | | | | " | 2-6 CL | " | 2680 | 2300 | 2090 | 1850 | 1630 | 1420 | 1210 |
| | | | | | 24 | 1 | 28 | 2510 | 2160 | 1960 | 1730 | 1530 | 1330 | 1130 |
| | | | | | " | 2-6 CL | " | 3000 | 2580 | 2340 | 2070 | 1830 | 1590 | 1350 |
| 1-1/4" | VC143 | 4-1/4" SQ. | 32 | .020" | 14 | 1 | 18 | 1620 | 1390 | 1260 | 1120 | 990 | 860 | 730 |
| | | | | | 20 | 1 | 24 | 1710 | 1470 | 1330 | 1180 | 1040 | 910 | 770 |
| | | | | | " | 2-6 CL | " | 2540 | 2180 | 1980 | 1750 | 1550 | 1350 | 1140 |
| | | | | | 24 | 1 | 28 | 1770 | 1520 | 1380 | 1220 | 1080 | 940 | 800 |
| | | | | | " | 2-6 CL | " | 2780 | 2390 | 2170 | 1920 | 1700 | 1470 | 1250 |
| 1-1/4" | VC144 | 4-1/4" SQ. | 40 | .020" | 14 | 1 | 18 | 1850 | 1590 | 1440 | 1280 | 1130 | 980 | 830 |
| | | | | | 20 | 1 | 24 | 2000 | 1720 | 1560 | 1380 | 1220 | 1060 | 900 |
| | | | | | " | 2-6 CL | " | 2640 | 2270 | 2060 | 1820 | 1610 | 1400 | 1190 |
| | | | | | 24 | 1 | 28 | 2100 | 1810 | 1640 | 1450 | 1280 | 1110 | 950 |
| | | | | | " | 2-6 CL | " | 2870 | 2470 | 2240 | 1980 | 1750 | 1520 | 1290 |
| 1-1/4" | VC145 | 4-1/4" SQ. | 50 | .020" | 14 | 1 | 18 | 2020 | 1740 | 1580 | 1400 | 1230 | 1070 | 910 |
| | | | | | 20 | 1 | 24 | 2300 | 1980 | 1790 | 1590 | 1400 | 1220 | 1040 |
| | | | | | " | 2-6 CL | " | 2630 | 2260 | 2050 | 1810 | 1600 | 1390 | 1180 |
| | | | | | 24 | 1 | 28 | 2470 | 2120 | 1930 | 1700 | 1510 | 1310 | 1110 |
| | | | | | " | 2-6 CL | " | 2950 | 2540 | 2300 | 2040 | 1800 | 1560 | 1330 |
| 1-1/4" | VC145 | 4-1/4" SQ. | 50 | .020" | 14 | 1 | 18 | 3020 | 2600 | 2360 | 2080 | 1840 | 1600 | 1360 |
| | | | | | 20 | 1 | 24 | 3020 | 2600 | 2360 | 2080 | 1840 | 1600 | 1360 |
| | | | | | " | 2-6 CL | " | 3020 | 2600 | 2360 | 2080 | 1840 | 1600 | 1360 |
| | | | | | 24 | 1 | 28 | 3020 | 2600 | 2360 | 2080 | 1840 | 1600 | 1360 |
| | | | | | " | 2-6 CL | " | 3020 | 2600 | 2360 | 2080 | 1840 | 1600 | 1360 |

Note: Copper tube furnished flared one end standard.

Steam Bracket and BB Hanger

| ELEMENT TUBE SIZE | CRADLE NO. | A MIN | A MAX |
|----------------------|---------------|--------|--------|
| 3/4" COPPER | 2 | 7 3/8" | 8 3/4" |
| 1" COPPER | 2 | 7 1/2" | 8 7/8" |
| 1 1/4" COPPER | 2 | 7 5/8" | 9" |
| 1 1/4" STEEL | 2 | 7 7/8" | 9 1/4" |
| 2" STEEL | 1 | 7 5/8" | 9" |

