

LINOVECTOR II

LV4-PM / PM2
Pedestal Mounted Enclosures
Copper/Aluminum Ratings
Steel Element Ratings

Submittal

Specification

LV4 Slip Jointed Enclosure

ENCLOSURE:

- STYLE: Pedestal Mounted, Top Outlet
 OUTLET: Stamped Louvers
 Pencil Proof
- LENGTHS: 2' thru 8' in 6" Increments
 MAT'L: 16 Ga. CRS STD.
 14 Ga. CRS (Opt'l)
 FINISH: Prime Finish Std.
 Baked Enamel (Opt'l).
 16 Ga. Stainless Steel (Opt'l)
 14 Ga. Aluminum (Opt'l)

ACCESSORIES:

- Overlapping Type

ELEMENT:

- TYPE: Cu/Al (Mechanically Expanded)
 LENGTHS: 2'0" thru 12'6" in 1" Increments for 1" & 1-1/4" Cu.
 2' thru 8' in 1" Increments for 3/4" Cu.
- One End Flared, Std.
- TYPE: IPS Steel (Mechanically Expanded)
 LENGTHS: 2'0" thru 12'6" in 1" Increments
 NPT Thread both Ends Std.
 Beveled Ends for Field Weld
 See Catalog for Working Pressures

BRACKETS:

- Pedestal Brk't w/ B.B.
 Floor Mounted

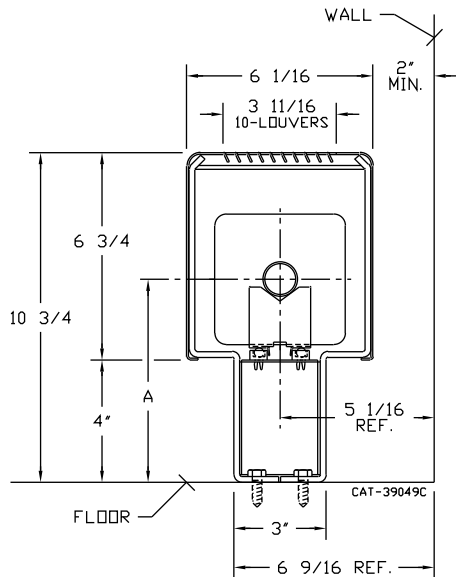
DAMPER: Not Available

Not recommended for steam applications.
 Consult factory

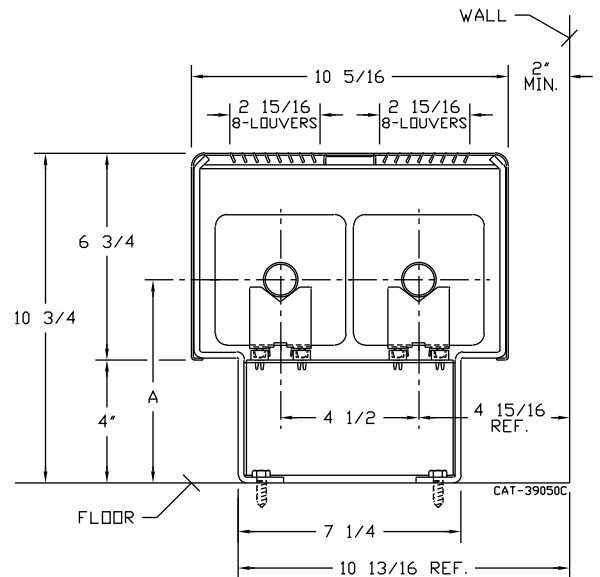
ELEMENT TUBE SIZE	CRADLE NUMBER	A
3/4" COPPER	2	6-7/16
1" COPPER	2	6-5/8
1-1/4" COPPER	2	6-3/4
1-1/4" STEEL	2	6-15/16
2" STEEL	1	6-11/16

Note: Not recommended for steam applications.

LV4-PM



LV4-PM2



260 North Elm St., Westfield, MA 01085
 (413) 568-9571 Fax: (413) 564-5661
 www.vulcanrad.com

PROJECT: _____ DATE: _____
 LOCATION: _____
 ARCHITECT: _____
 ENGINEER: _____
 CONTRACTOR: _____
 PO NUMBER: _____

STYLE "LV4-PM / PM2" PEDESTAL MOUNTED

Not Recommended for Steam

STEEL ELEMENT								STEAM 215° FACTOR	HOT WATER (AVG.)					
I.P.S. SIZE	CATALOG DESIGNATION	FIN SIZE IN INCHES	FIN/FT	FIN THICKNESS	ENCL HEIGHT IN INCHES	TIERS AND CENTERS IN INCHES	MTG. HEIGHT IN INCHES		FACTOR					
								1.00	0.86	0.78	0.69	0.61	0.53	0.45
1-1/4"	VS143	4-1/4" SQ.	32	.032"	6-3/4	1	10-3/4	1330	1150	1040	920	810	710	600
					"	2 - 4-1/2	"	1830	1570	1430	1260	1120	970	830
1-1/4"	VS144	4-1/4" SQ.	40	.032"	6-3/4	1	10-3/4	1460	1260	1150	1020	900	780	660
					"	2 - 4-1/2	"	2240	1920	1750	1550	1370	1190	1020
2"	VS242	4-1/4" SQ.	25	.032"	6-3/4	1	10-3/4	1160	990	900	800	710	610	520
					"	2 - 4-1/2	"	1590	1370	1240	1100	970	850	720
2"	VS243	4-1/4" SQ.	32	.032"	6-3/4	1	10-3/4	1350	1160	1050	930	830	710	600
					"	2 - 4-1/2	"	1840	1580	1440	1270	1120	980	830

- NOTES: 1. Steel fins furnished as .032 thick painted black.
 2. NPT threads furnished on steel elements. Please use domestic fittings for proper installation.
 3. Ratings based on typical window wall installation.
 4. The ends can be provided chamfered for field welded fittings when specified.

Not Recommended for Steam

COPPER/ALUMINUM ELEMENT								STEAM 215° FACTOR	HOT WATER (AVG.)					
TUBE SIZE	CATALOG DESIGNATION	FIN SIZE IN INCHES	FIN/FT	FIN THICKNESS	ENCL HEIGHT IN INCHES	TIERS AND CENTERS IN INCHES	MTG. HEIGHT IN INCHES		FACTOR					
								1.00	0.86	0.78	0.69	0.61	0.53	0.45
3/4"	VC3/4-434	4-1/4 x 3-5/8	40	.020"	6-3/4	1	10-3/4	1400	1200	1100	970	860	740	640
					"	2 - 4-1/2	"	2290	1970	1790	1580	1400	1210	1030
3/4"	VC3/4-435	4-1/4 x 3-5/8	50	.020"	6-3/4	1	10-3/4	1520	1310	1190	1050	930	800	680
					"	2 - 4-1/2	"	2340	2010	1820	1620	1430	1240	1050
1"	VC433	4-1/4 x 3-5/8	32	.020"	6-3/4	1	10-3/4	1290	1110	1000	890	780	680	580
					"	2 - 4-1/2	"	1990	1710	1560	1380	1220	1060	900
1"	VC434	4-1/4 x 3-5/8	40	.020"	6-3/4	1	10-3/4	1450	1250	1130	1000	890	770	650
					"	2 - 4-1/2	"	2240	1920	1750	1550	1370	1190	1020
1"	VC435	4-1/4 x 3-5/8	50	.020"	6-3/4	1	10-3/4	1580	1360	1240	1090	970	840	710
					"	2 - 4-1/2	"	2440	2100	1900	1690	1490	1300	1100
1-1/4"	VC1433	4-1/4 x 3-5/8	32	.020"	6-3/4	1	10-3/4	1260	1090	980	870	770	670	570
					"	2 - 4-1/2	"	1950	1680	1520	1350	1190	1030	870
1-1/4"	VC1434	4-1/4 x 3-5/8	40	.020"	6-3/4	1	10-3/4	1430	1230	1110	980	870	760	640
					"	2 - 4-1/2	"	2350	2020	1830	1620	1430	1250	1060
1-1/4"	VC1435	4-1/4 x 3-5/8	50	.020"	6-3/4	1	10-3/4	1560	1350	1220	1070	960	830	700
					"	2 - 4-1/2	"	2400	2070	1860	1650	1460	1270	1070
1"	VC43	4-1/4" SQ.	40	.020"	6-3/4	1	10-3/4	1500	1290	1170	1040	910	790	670
					"	2 - 4-1/2	"	2360	2030	1840	1630	1440	1250	1060
1"	VC44	4-1/4" SQ.	40	.020"	6-3/4	1	10-3/4	1700	1460	1320	1170	1040	900	770
					"	2 - 4-1/2	"	2890	2490	2250	1990	1760	1530	1300
1"	VC45	4-1/4" SQ.	50	.020"	6-3/4	1	10-3/4	1750	1500	1360	1200	1060	920	790
					"	2 - 4-1/2	"	3000	2570	2340	2070	1830	1590	1350
1-1/4"	VC143	4-1/4" SQ.	32	.020"	6-3/4	1	10-3/4	1230	1050	960	850	740	650	560
					"	2 - 4-1/2	"	2370	2040	1850	1640	1450	1260	1060
1-1/4"	VC144	4-1/4" SQ.	40	.020"	6-3/4	1	10-3/4	1580	1360	1240	1090	970	840	710
					"	2 - 4-1/2	"	2700	2330	2110	1860	1650	1430	1220
1-1/4"	VC145	4-1/4" SQ.	50	.020"	6-3/4	1	10-3/4	1740	1490	1360	1190	1060	920	780
					"	2 - 4-1/2	"	2990	2570	2330	2070	1820	1580	1350

Note: Copper tube furnished flared one end standard.

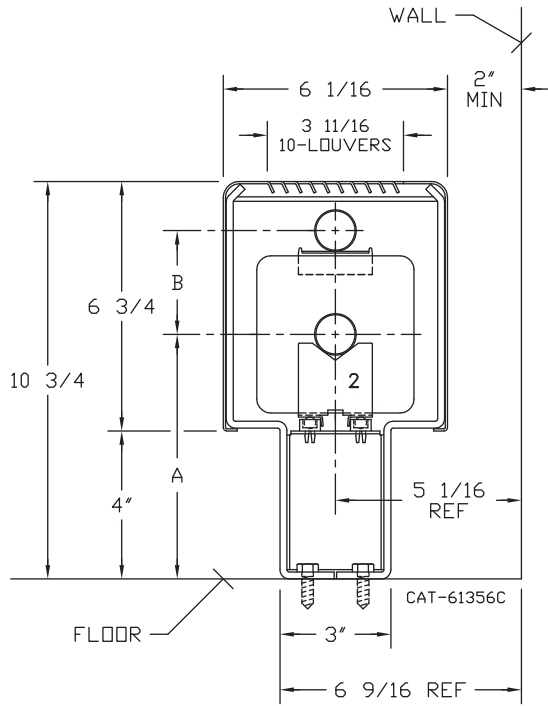
STYLE "LV4-PM / PM2" PEDESTAL MOUNTED

Not Recommended for Steam

ALTERNATE PIPING CAPABILITY WITH 3/4" AND 1" COPPER TUBE ELEMENTS

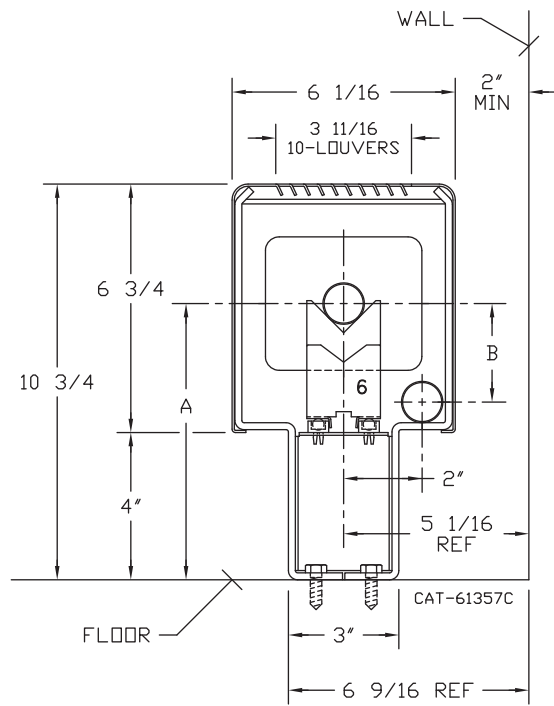
LV4-PM WITH RETURN ABOVE ELEMENT

ELEMENT TUBE SIZE	ELEMENT FIN SIZE	A	B
3/4" COPPER	4-1/4" x 3-5/8"	6-7/16	2-3/8
1" COPPER	4-1/4" x 3-5/8"	6-5/8	2-1/2
1" COPPER	4-1/4" x 4-1/4"	6-5/8	2-7/8



LV4-PM WITH RETURN BELOW ELEMENT

ELEMENT TUBE SIZE	ELEMENT FIN SIZE	A	B	
			WITH 3/4" RETURN	WITH 1" RETURN
3/4" COPPER	4-1/4" x 3-5/8"	7-3/8	2-5/8	2-1/2
1" COPPER	4-1/4" x 3-5/8"	7-1/2	2-7/8	2-11/16
1" COPPER	4-1/4" x 4-1/4"	7-1/2	2-7/8	2-11/16



Note: Specify cradle number when ordering.