

# LINOVECTOR II

## Submittal

LV4-DS 19, 25, 29  
Double Slope Enclosures  
Copper/Aluminum &  
Steel Element Ratings

LV4 Slip Jointed Enclosure

# Specification

### ENCLOSURE:

- STYLE: Double Slope, Slope Outlet  
OUTLET: Stamped Louvers  
Pencil Proof
- LENGTHS: 2' thru 8' in 6" Increments  
MAT'L:  18 Ga. CRS STD.  
 16 Ga. CRS (Opt'l)  
 14 Ga. CRS (Opt'l)
- FINISH:  Prime Finish Std.  
 Baked Enamel (Opt'l).  
 16 Ga. Stainless Steel (Opt'l)  
 14 Ga. Aluminum (Opt'l)

### ACCESSORIES:

- Overlapping Type  
All accessories return to the wall at the bottom and have pre-punched holes for fastening to the wall.

### ELEMENT:

- TYPE:  Cu/Al (Mechanically Expanded)
- LENGTHS: 2'0" thru 12'6" in 1" Increments for 1" & 1-1/4" Cu.  
2' thru 8' in 1" Increments for 3/4" Cu.
- One End Flared, Std.
- TYPE:  IPS Steel (Mechanically Expanded)
- LENGTHS: 2'0" thru 12'6" in 1" Increments  
 NPT Thread both Ends Std.  
 Beveled Ends for Field Weld  
See Catalog for Working Pressures

### BACKPLATE:

- TYPE:  Partial B/P  
LENGTHS: 8' Only  
MAT'L:  20 Ga. Prepainted Std.  
 18 Ga. Galvannealed (Opt'l)
- TYPE:  Full Ht. B/P (Opt'l)  
LENGTHS: 2' thru 8' in 6" increments  
MAT'L:  20 Ga. Galvannealed (Opt'l)  
 18 Ga. Painted (Opt'l)

### AIRSEAL:

- 1/8" x 3/8" Closed Cell (Opt'l)

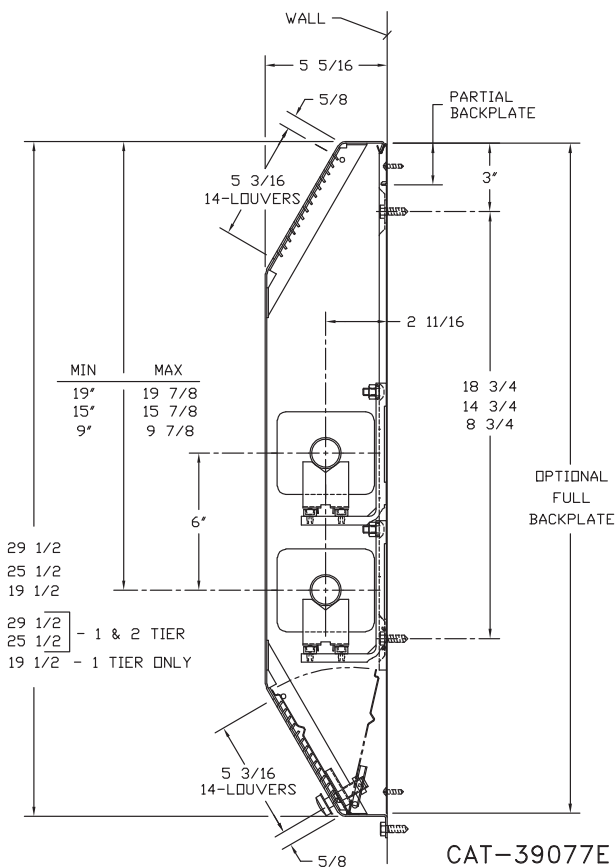
### BRACKETS:

- Vertical Brkt w/Brkt Mtd B.B. Hngr  
 Brkt Mtd B.B. Hngr for 2nd Tier

### DAMPER:

- Damper Blades Factory Installed  
 Knob Damper (Opt'l)  
 Tamper Resistant (Opt'l)

LV4-DS



260 North Elm St., Westfield, MA 01085  
(413) 568-9571 Fax: (413) 564-5661  
www.vulcanrad.com

PROJECT: \_\_\_\_\_ DATE: \_\_\_\_\_  
LOCATION: \_\_\_\_\_  
ARCHITECT: \_\_\_\_\_  
ENGINEER: \_\_\_\_\_  
CONTRACTOR: \_\_\_\_\_  
PO NUMBER: \_\_\_\_\_



# STYLE "LV4-DS" DOUBLE SLOPE TOP

COPPER/ALUMINUM ELEMENT								STEAM 215° FACTOR	HOT WATER (AVG.)					
TUBE SIZE	CATALOG DESIGNATION	FIN SIZE IN INCHES	FIN/FT	FIN THICKNESS	ENCL HEIGHT IN INCHES	TIERS AND CENTERS IN INCHES	MTG. HEIGHT IN INCHES		1.00	0.86	0.78	0.69	0.61	0.53
1-1/4"	VC1435	4-1/4 x 3-5/8	50	.020"	19-1/2	1	—	1610	1385	1255	1110	980	855	725
					25-1/2	1	—	1840	1580	1435	1270	1120	975	830
					"	2-6 CL	—	2165	1860	1690	1495	1320	1150	975
					29-1/2	1	—	1960	1685	1530	1350	1195	1040	880
					"	2-6 CL	—	2425	2085	1890	1675	1480	1285	1090
1"	VC43	4-1/4" SQ.	32	.020"	19-1/2	1	—	1425	1225	1110	985	870	755	640
					25-1/2	1	—	1500	1290	1170	1035	915	795	675
					"	2-6 CL	—	2235	1920	1745	1540	1365	1185	1005
					29-1/2	1	—	1565	1245	1220	1080	955	830	705
					"	2-6 CL	—	2445	2100	1910	1685	1490	1295	1100
1"	VC44	4-1/4" SQ.	40	.020"	19-1/2	1	—	1625	1395	1270	1120	990	860	730
					25-1/2	1	—	1760	1515	1370	1215	1075	930	790
					"	2-6 CL	—	2325	2000	1815	1605	1420	1230	1045
					29-1/2	1	—	1850	1590	1445	1275	1130	980	830
					"	2-6 CL	—	2520	2165	1965	1740	1535	1335	1135
1"	VC45	4-1/4" SQ.	50	.020"	19-1/2	1	—	1780	1530	1390	1230	1085	945	800
					25-1/2	1	—	2020	1735	1575	1400	1230	1070	910
					"	2-6 CL	—	2315	1990	1805	1595	1410	1225	1040
					29-1/2	1	—	2165	1860	1690	1495	1320	1150	975
					"	2-6 CL	—	2590	2225	2020	1790	1580	1370	1165
1-1/4"	VC143	4-1/4" SQ.	32	.020"	19-1/2	1	—	1400	1205	1090	965	855	740	630
					25-1/2	1	—	1475	1270	1150	1015	900	780	665
					"	2-6 CL	—	2195	1885	1710	1515	1340	1165	990
					29-1/2	1	—	1530	1315	1195	1055	935	810	690
					"	2-6 CL	—	2400	2065	1870	1655	1465	1270	1080
1-1/4"	VC144	4-1/4" SQ.	40	.020"	19-1/2	1	—	1600	1375	1250	1105	975	850	720
					25-1/2	1	—	1725	1485	1345	1190	1050	915	775
					"	2-6 CL	—	2280	1960	1780	1575	1390	1210	1025
					29-1/2	1	—	1815	1560	1415	1250	1110	960	815
					"	2-6 CL	—	2480	2130	1935	1710	1510	1315	1115
1-1/4"	VC145	4-1/4" SQ.	50	.020"	19-1/2	1	—	1745	1500	1360	1205	1065	925	785
					25-1/2	1	—	1986	1710	1550	1370	1210	1050	895
					"	2-6 CL	—	2270	1950	1770	1565	1385	1205	1020
					29-1/2	1	—	2135	1835	1665	1475	1300	1130	960
					"	2-6 CL	—	2545	2190	1985	1755	1550	1350	1145