

LINOVECTOR II

LV3-X / LV4-X
Flat Top Enclosures
Copper/Aluminum
Steel Elements

Submittal

Specification

LV3-X Flat Top Enclosure

ENCLOSURE:

- STYLE : Flat Top
 OUTLET: 3/4" Sq. Perf
 LENGTHS: 2' thru 8' in 6" Increments
 MATERIAL: 18 Ga. CRS Std.
 16 Ga. CRS (Opt'l.)
 14 Ga. CRS (Opt'l.)
 FINISH: Baked Primer (Std.)
 Baked Enamel (Opt'l.)
 16 Ga. Stainless Steel (Opt'l.)
 14 Ga. Aluminum (Opt'l.)

ACCESSORIES:

All overlapping type.

ELEMENT:

- TYPE: Cu/Al (Mechanically Expanded)
 LENGTHS: 2'0" thru 12'6" in 1" Increments for 1" & 1-1/4" Cu.
 2' thru 8' in 1" Increments for 3/4" Cu & 1-1/4" Cu.
 One End Flared, Std.
 TYPE: IPS Steel (Mechanically Expanded)
 LENGTHS: 2'0" thru 12'6" in 1" Increments
 N.P.T. Thread Both Ends Std.
 Beveled Ends For Field Weld.
 See Catalog for Working Pressures

LV4-X Flat Top Enclosure

BACKPLATE:

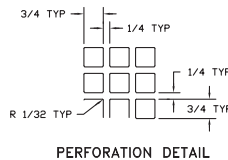
TYPE: N/A

BRACKETS:

B.B. Hanger Wall Mtd.

LV3-X

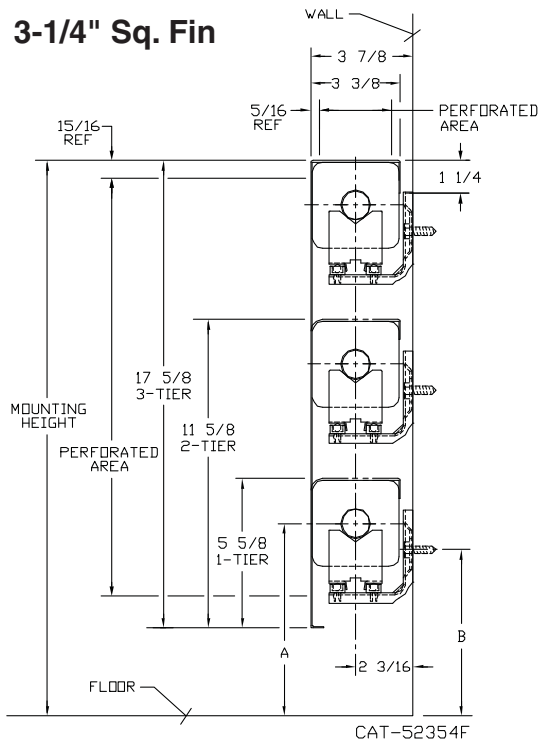
ELEMENT TUBE SIZE	CRADLE NO.	A	B
3/4" COPPER	2	7-1/4	6-7/16
1" COPPER	2	7-1/4	6-1/4
1-1/4" COPPER	1	7-1/4	6-13/16
1-1/4" STEEL	1	7-1/4	6-5/8



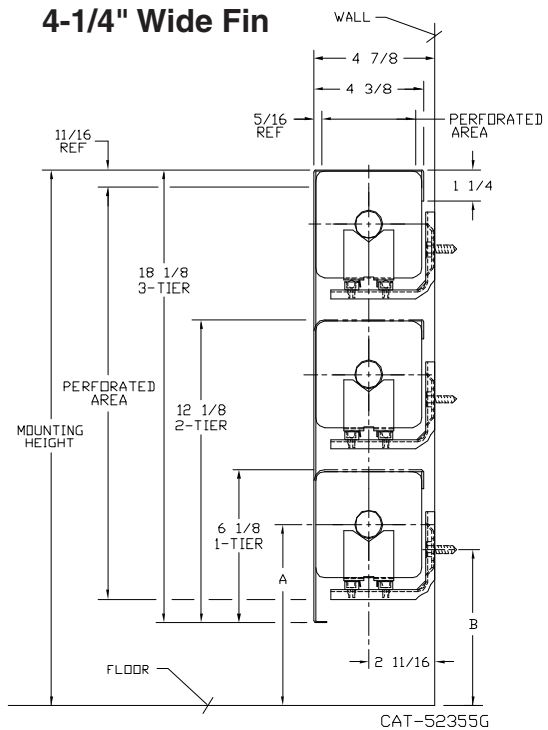
LV4-X

ELEMENT TUBE SIZE	CRADLE NO.	FIN HEIGHT			
		3-5/8		4-1/4	
		A	B	A	B
3/4" COPPER	2	7-9/16	6-3/4	7-1/4	N/A
1" COPPER	2	7-9/16	6-9/16	7-1/4	6-1/4
1-1/4" COPPER	2	7-9/16	6-3/8	7-1/4	6-1/8
1-1/4" STEEL	2	N/A	N/A	7-1/4	5-15/16
2" STEEL	1	N/A	N/A	7-1/4	6-3/16

3-1/4" Sq. Fin



4-1/4" Wide Fin



260 North Elm St., Westfield, MA 01085
 (413) 568-9571 Fax: (413) 564-5661
 www.vulcanrad.com

PROJECT: _____ DATE: _____
 LOCATION: _____
 ARCHITECT: _____
 ENGINEER: _____
 CONTRACTOR: _____
 PO NUMBER: _____

L3-X / L4-X

STEEL ELEMENTS

I.P.S. SIZE	CATALOG DESIGNATION	FIN SIZE HEIGHT X WIDTH	FIN PER. FT.	FIN THICKNESS IN INCHES	ENCL DEPTH AND HEIGHT IN INCHES	TIERS AND CENTERS IN INCHES	MTG. HEIGHT IN INCHES	STEAM 215° FACTOR	HOT WATER (AVG.)					
									200°	190°	180°	170°	160°	150°
									FACTOR					
							1.00	0.86	0.78	0.69	0.61	0.53	0.45	
1-1/4"	VS133	3-1/4" SQ.	32	.032	5-5/8 3	1	8-7/8"	860	740	670	600	530	460	390
					11-5/8 3	2 @ 6 CL	14-7/8"	1560	1350	1220	1080	960	830	710
					17-5/8 3	3 @ 6 CL	20-7/8"	2090	1810	1640	1450	1280	1120	950
1-1/4"	VS134	3-1/4" SQ.	40	.032	5-5/8 3	1	8-7/8"	960	830	750	670	590	510	440
					11-5/8 3	2 @ 6 CL	14-7/8"	1650	1430	1290	1150	1010	880	750
					17-5/8 3	3 @ 6 CL	20-7/8"	2170	1870	1700	1510	1330	1160	990
1-1/4"	VS143	4-1/4" SQ.	32	.032	6-1/8 4	1	9-3/8"	1260	1090	990	870	770	670	570
					12-1/8 4	2 @ 6 CL	15-3/8"	2210	1910	1730	1530	1360	1180	1000
					18-1/8 4	3 @ 6 CL	21-3/8"	2910	2510	2280	2020	1790	1550	1320
1-1/4"	VS144	4-1/4" SQ.	40	.032	6-1/8 4	1	9-3/8"	1420	1230	1110	990	870	760	640
					12-1/8 4	2 @ 6 CL	15-3/8"	2340	2020	1830	1620	1440	1250	1060
					18-1/8 4	3 @ 6 CL	21-3/8"	3040	2630	2380	2110	1870	1620	1380
2"	VS242	4-1/4" SQ.	25	.032	6-1/8 4	1	9-3/8"	1090	940	850	760	670	580	490
					12-1/8 4	2 @ 6 CL	15-3/8"	1950	1680	1530	1350	1200	1040	890
					18-1/8 4	3 @ 6 CL	21-3/8"	2590	2240	2030	1800	1590	1380	1180
2"	VS243	4-1/4" SQ.	32	.032	6-1/8 4	1	9-3/8"	1270	1100	1000	880	780	680	580
					12-1/8 4	2 @ 6 CL	15-3/8"	2140	1850	1680	1490	1310	1140	970
					18-1/8 4	3 @ 6 CL	21-3/8"	2790	2410	2190	1940	1710	1490	1270

- Notes: 1) Steel fins furnished as .032 thick painted black
 2) NPT threads furnished on steel elements. Please use domestic fittings for proper installation.
 3) The ends can be provided chamfered for field welded fittings when specified.

COPPER/ALUMINUM ELEMENTS

TUBE SIZE	CATALOG DESIGNATION	FIN SIZE HEIGHT X WIDTH	FIN PER. FT.	FIN THICKNESS IN INCHES	ENCL DEPTH AND HEIGHT IN INCHES	TIERS AND CENTERS IN INCHES	MTG. HEIGHT IN INCHES	STEAM 215° FACTOR	HOT WATER (AVG.)					
									200°	190°	180°	170°	160°	150°
									FACTOR					
								1.00	0.86	0.78	0.69	0.61	0.53	0.45
3/4"	VC3/4-33	3-1/4" SQ.	32	.020	5-5/8 3	1	8-7/8"	930	800	730	650	570	500	420
					11-5/8 3	2 @ 6 CL	14-7/8"	1560	1350	1220	1080	960	830	710
					17-5/8 3	3 @ 6 CL	20-7/8"	2050	1770	1610	1420	1260	1090	930
3/4"	VC3/4-34	3-1/4" SQ.	40	.020	5-5/8 3	1	8-7/8"	1090	940	850	760	670	580	490
					11-5/8 3	2 @ 6 CL	14-7/8"	1820	1570	1430	1260	1120	970	830
					17-5/8 3	3 @ 6 CL	20-7/8"	2410	2080	1890	1670	1480	1290	1090
3/4"	VC3/4-35	3-1/4" SQ.	50	.020	5-5/8 3	1	8-7/8"	1210	1050	950	840	740	650	550
					11-5/8 3	2 @ 6 CL	14-7/8"	1940	1680	1520	1350	1190	1040	880
					17-5/8 3	3 @ 6 CL	20-7/8"	2540	2190	1990	1760	1560	1360	1150
1"	VC33	3-1/4" SQ.	32	.020	5-5/8 3	1	8-7/8"	930	800	730	650	570	500	420
					11-5/8 3	2 @ 6 CL	14-7/8"	1680	1450	1320	1170	1030	900	760
					17-5/8 3	3 @ 6 CL	20-7/8"	2310	2000	1810	1600	1420	1230	1050
1"	VC34	3-1/4" SQ.	40	.020	5-5/8 3	1	8-7/8"	1040	900	820	720	640	560	470
					11-5/8 3	2 @ 6 CL	14-7/8"	1770	1530	1390	1230	1090	950	800
					17-5/8 3	3 @ 6 CL	20-7/8"	2350	2030	1840	1630	1440	1250	1070
1"	VC35	3-1/4" SQ.	50	.020	5-5/8 3	1	8-7/8"	1160	1000	910	810	710	620	530
					11-5/8 3	2 @ 6 CL	14-7/8"	1770	1530	1390	1230	1090	950	800
					17-5/8 3	3 @ 6 CL	20-7/8"	2370	2050	1860	1640	1460	1270	1080
1-1/4"	VC133	3-1/4" SQ.	32	.020	5-5/8 3	1	8-7/8"	930	800	730	650	570	500	420
					11-5/8 3	2 @ 6 CL	14-7/8"	1700	1470	1330	1180	1040	910	770
					17-5/8 3	3 @ 6 CL	20-7/8"	2280	1970	1790	1580	1400	1220	1040
1-1/4"	VC134	3-1/4" SQ.	40	.020	5-5/8 3	1	8-7/8"	1020	880	800	710	630	540	460
					11-5/8 3	2 @ 6 CL	14-7/8"	1730	1490	1360	1200	1060	920	790
					17-5/8 3	3 @ 6 CL	20-7/8"	2270	1960	1780	1580	1390	1210	1030
1-1/4"	VC135	3-1/4" SQ.	50	.020	5-5/8 3	1	8-7/8"	1120	970	880	780	690	600	510
					11-5/8 3	2 @ 6 CL	14-7/8"	1880	1620	1470	1300	1150	1000	850
					17-5/8 3	3 @ 6 CL	20-7/8"	2300	1990	1800	1600	1410	1230	1040
3/4"	VC3/4-433	3-5/8" X 4-1/4"	32	.020	6-1/8 4	1	9-3/8"	1160	1000	910	810	710	620	530
					12-1/8 4	2 @ 6 CL	15-3/8"	2080	1800	1630	1440	1280	1110	940
					18-1/8 4	3 @ 6 CL	21-3/8"	2810	2430	2200	1950	1730	1500	1280
3/4"	VC3/4-434	3-5/8" X 4-1/4"	40	.020	6-1/8 4	1	9-3/8"	1390	1200	1090	960	850	740	630
					12-1/8 4	2 @ 6 CL	15-3/8"	2290	1980	1800	1590	1410	1220	1040
					18-1/8 4	3 @ 6 CL	21-3/8"	3090	2670	2420	2140	1900	1650	1400
3/4"	VC3/4-435	3-5/8" X 4-1/4"	50	.020	6-1/8 4	1	9-3/8"	1540	1330	1210	1070	950	820	700
					12-1/8 4	2 @ 6 CL	15-3/8"	2570	2220	2010	1780	1580	1370	1170
					18-1/8 4	3 @ 6 CL	21-3/8"	3460	2990	2710	2400	2120	1850	1570
1"	VC433	3-5/8" X 4-1/4"	32	.020	6-1/8 4	1	9-3/8"	930	800	730	650	570	500	420
					12-1/8 4	2 @ 6 CL	15-3/8"	1560	1350	1220	1080	960	830	710
					18-1/8 4	3 @ 6 CL	21-3/8"	2410	2080	1890	1670	1480	1290	1090

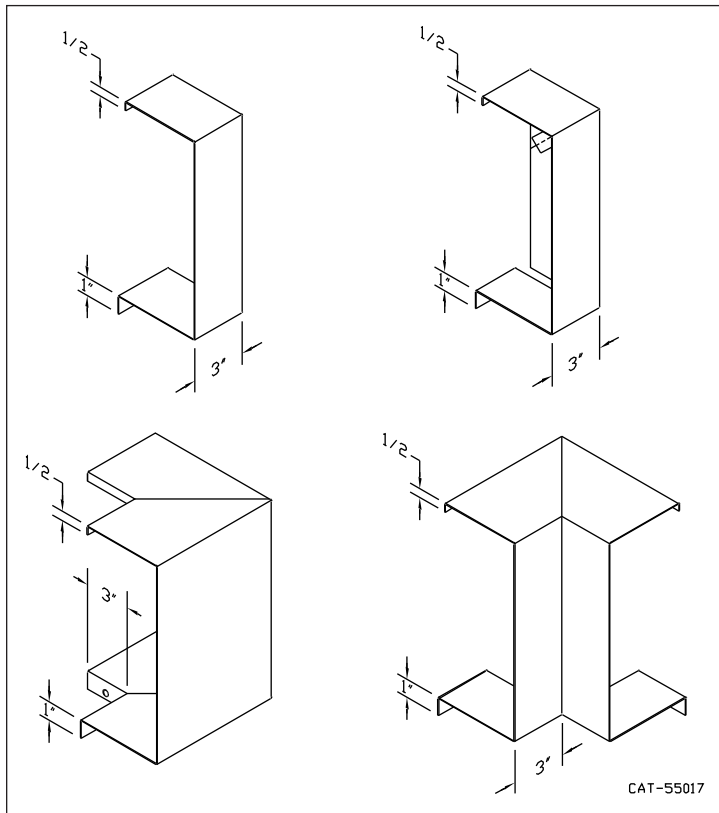
► **Bold, italicized units are**  **rated** ◀

TUBE SIZE	CATALOG DESIGNATION	FIN SIZE HEIGHT X WIDTH	FIN PER. FT.	FIN THICKNESS IN INCHES	ENCL DEPTH AND HEIGHT IN INCHES	TIERS AND CENTERS IN INCHES	MTG. HEIGHT IN INCHES	STEAM 215° FACTOR	HOT WATER (AVG.)					
									200°	190°	180°	170°	160°	150°
									FACTOR					
1"	VC434	3-5/8" X 4-1/4"	40	<i>.020</i>	<i>6-1/8 4</i>	<i>1</i>	<i>9-3/8</i>	<i>940</i>	<i>810</i>	<i>740</i>	<i>650</i>	<i>580</i>	<i>500</i>	<i>430</i>
					12-1/8 4	2 @ 6 CL	15-3/8	1780	1540	1400	1240	1090	950	810
					18-1/8 4	3 @ 6 CL	21-3/8	2570	2220	2010	1780	1580	1370	1170
1"	VC435	3-5/8" X 4-1/4"	50	<i>.020</i>	<i>6-1/8 4</i>	<i>1</i>	<i>9-3/8</i>	<i>1170</i>	<i>1010</i>	<i>920</i>	<i>810</i>	<i>720</i>	<i>620</i>	<i>530</i>
					12-1/8 4	2 @ 6 CL	15-3/8	1780	1540	1400	1240	1090	950	810
					18-1/8 4	3 @ 6 CL	21-3/8	2370	2050	1860	1640	1460	1270	1080
1-1/4"	VC1433	3-5/8" X 4-1/4"	32	<i>.020</i>	<i>6-1/8 4</i>	<i>1</i>	<i>9-3/8</i>	<i>930</i>	<i>800</i>	<i>730</i>	<i>650</i>	<i>570</i>	<i>500</i>	<i>420</i>
					12-1/8 4	2 @ 6 CL	15-3/8	1560	1350	1220	1080	960	830	710
					18-1/8 4	3 @ 6 CL	21-3/8	2150	1860	1690	1490	1320	1150	980
1-1/4"	VC1434	3-5/8" X 4-1/4"	40	<i>.020</i>	<i>6-1/8 4</i>	<i>1</i>	<i>9-3/8</i>	<i>1030</i>	<i>890</i>	<i>810</i>	<i>710</i>	<i>630</i>	<i>550</i>	<i>470</i>
					12-1/8 4	2 @ 6 CL	15-3/8	1760	1520	1380	1220	1080	940	800
					18-1/8 4	3 @ 6 CL	21-3/8	2280	1970	1790	1580	1400	1220	1040
1-1/4"	VC1435	3-5/8" X 4-1/4"	50	<i>.020</i>	<i>6-1/8 4</i>	<i>1</i>	<i>9-3/8</i>	<i>1120</i>	<i>970</i>	<i>880</i>	<i>780</i>	<i>690</i>	<i>600</i>	<i>510</i>
					12-1/8 4	2 @ 6 CL	15-3/8	1790	1550	1400	1240	1100	960	810
					18-1/8 4	3 @ 6 CL	21-3/8	2390	2060	1870	1660	1470	1280	1090
1"	VC43	4-1/4" SQ.	32	<i>.020</i>	<i>6-1/8 4</i>	<i>1</i>	<i>9-3/8</i>	<i>940</i>	<i>810</i>	<i>740</i>	<i>650</i>	<i>580</i>	<i>500</i>	<i>430</i>
					12-1/8 4	2 @ 6 CL	15-3/8	1690	1460	1320	1170	1040	900	770
					18-1/8 4	3 @ 6 CL	21-3/8	2280	1970	1790	1580	1400	1220	1040
1"	VC44	4-1/4" SQ.	40	<i>.020</i>	<i>6-1/8 4</i>	<i>1</i>	<i>9-3/8</i>	<i>1090</i>	<i>940</i>	<i>850</i>	<i>760</i>	<i>670</i>	<i>580</i>	<i>490</i>
					12-1/8 4	2 @ 6 CL	15-3/8	1800	1560	1410	1250	1110	960	820
					18-1/8 4	3 @ 6 CL	21-3/8	2430	2100	1910	1690	1490	1300	1100
1"	VC45	4-1/4" SQ.	50	<i>.020</i>	<i>6-1/8 4</i>	<i>1</i>	<i>9-3/8</i>	<i>1210</i>	<i>1050</i>	<i>950</i>	<i>840</i>	<i>740</i>	<i>650</i>	<i>550</i>
					12-1/8 4	2 @ 6 CL	15-3/8	1940	1680	1520	1350	1190	1040	880
					18-1/8 4	3 @ 6 CL	21-3/8	2540	2190	1990	1760	1560	1360	1150
1-1/4"	VC143	4-1/4" SQ.	32	<i>.020</i>	<i>6-1/8 4</i>	<i>1</i>	<i>9-3/8</i>	<i>930</i>	<i>800</i>	<i>730</i>	<i>650</i>	<i>570</i>	<i>500</i>	<i>420</i>
					12-1/8 4	2 @ 6 CL	15-3/8	1560	1350	1220	1080	960	830	710
					18-1/8 4	3 @ 6 CL	21-3/8	2410	2080	1890	1670	1480	1290	1090
1-1/4"	VC144	4-1/4" SQ.	40	<i>.020</i>	<i>6-1/8 4</i>	<i>1</i>	<i>9-3/8</i>	<i>940</i>	<i>810</i>	<i>740</i>	<i>650</i>	<i>580</i>	<i>500</i>	<i>430</i>
					<i>12-1/8 4</i>	<i>2 @ 6 CL</i>	<i>15-3/8</i>	<i>1780</i>	<i>1540</i>	<i>1400</i>	<i>1240</i>	<i>1090</i>	<i>950</i>	<i>810</i>
					<i>18-1/8 4</i>	<i>3 @ 6 CL</i>	<i>21-3/8</i>	<i>2570</i>	<i>2220</i>	<i>2010</i>	<i>1780</i>	<i>1580</i>	<i>1370</i>	<i>1170</i>
1-1/4"	VC145	4-1/4" SQ.	50	<i>.020</i>	<i>6-1/8 4</i>	<i>1</i>	<i>9-3/8</i>	<i>1170</i>	<i>1010</i>	<i>920</i>	<i>810</i>	<i>720</i>	<i>620</i>	<i>530</i>
					<i>12-1/8 4</i>	<i>2 @ 6 CL</i>	<i>15-3/8</i>	<i>1780</i>	<i>1540</i>	<i>1400</i>	<i>1240</i>	<i>1090</i>	<i>950</i>	<i>810</i>
					<i>18-1/8 4</i>	<i>3 @ 6 CL</i>	<i>21-3/8</i>	<i>2370</i>	<i>2050</i>	<i>1860</i>	<i>1640</i>	<i>1460</i>	<i>1270</i>	<i>1080</i>

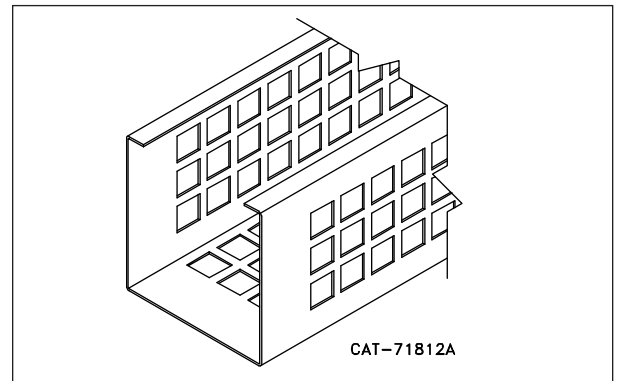
Note: Copper tube furnished flared one end standard.

► **Bold, italicized units are**  **rated** ◀

STYLE X ACCESSORIES



CEILING COVER



CEILING HANGER

