

LINOVECTOR II

LV3-S 11, 14
Slope Top Enclosure
Copper/Aluminum Ratings
Steel Element Ratings

Submittal

Specification

LV3 Slip Jointed Enclosure

ENCLOSURE:

- STYLE: Slope
OUTLET: Stamped Louvers
Pencil Proof
- LENGTHS: 2' thru 8' in 6' Increments
MAT'L: 18 Ga. CRS STD.
 16 Ga. CRS (Opt'l)
 14 Ga. CRS (Opt'l)
- FINISH: Prime Finish Std.
 Baked Enamel (Opt'l).
 16 Ga. Stainless Steel (Opt'l)
 14 Ga. Aluminum (Opt'l)

ACCESSORIES:

- Overlapping Type
All accessories return to the wall at the bottom and have pre-punched holes for fastening to the wall.

ELEMENT:

- TYPE: Cu/Al (Mechanically Expanded)
- LENGTHS: 2'0" thru 12'6" in 1' Increments for 1" & 1-1/4" Cu.
2' thru 8' in 1' Increments for 3/4" Cu.
- One End Flared, Std.
- TYPE: IPS Steel (Mechanically Expanded)
- LENGTHS: 2'0" thru 12'6" in 1' Increments
 NPT Thread both Ends Std.
 Beveled Ends for Field Weld
See Catalog for Working Pressures

BACKPLATE:

- TYPE: Partial B/P
- LENGTHS: 8' Only
- MAT'L: 20 Ga. Prepainted Std.
 18 Ga. Galvannealed (Opt'l)
- TYPE: Full Ht. B/P (Opt'l)
- LENGTHS: 2' thru 8' in 6' increments
- MAT'L: 20 Ga. Galvannealed (Opt'l)
 18 Ga. Painted (Opt'l)

AIRSEAL:

- 1/8" x 3/8" Closed Cell (Opt'l)

BRACKETS:

- Water Brkt w/B.B.
 14" Only Steam Brkt w/Brkt Mtd B.B. Hngr

DAMPER:

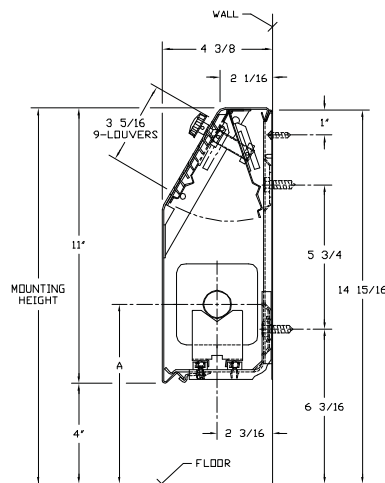
- Damper Blades Factory Installed
 Knob Damper (Opt'l)
 Tamper Resistant (Opt'l)

LV3-S11

(use with water bracket only)

ELEMENT TUBE SIZE	CRADLE NUMBER	A
3/4" COPPER	2	7
1" COPPER	2	7-3/16
1-1/4" COPPER	1	6-5/8
1" STEEL	2	7-5/16
1-1/4" STEEL	1	6-13/16

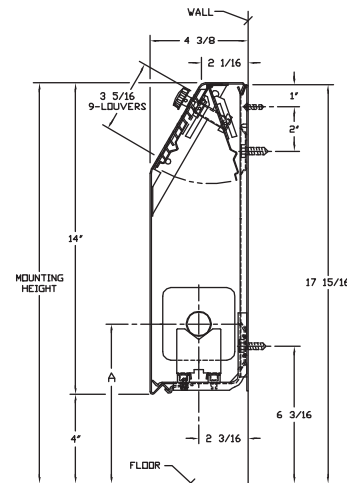
Note: Not recommended for steam applications.



CAT-39056G

LV3-S14

ELEMENT TUBE SIZE	CRADLE NUMBER	A
3/4" COPPER	2	7
1" COPPER	2	7-3/16
1-1/4" COPPER	1	6-5/8
1" STEEL	2	7-5/16
1-1/4" STEEL	1	6-13/16



CAT-38966F



260 North Elm St., Westfield, MA 01085
(413) 568-9571 Fax: (413) 564-5661
www.vulcanrad.com

PROJECT: _____ DATE: _____
LOCATION: _____
ARCHITECT: _____
ENGINEER: _____
CONTRACTOR: _____
PO NUMBER: _____

STYLE "LV3-S" SLOPE TOP LOW PROFILE

STEEL ELEMENT								STEAM 215° FACTOR	HOT WATER (AVG.)					
I.P.S. SIZE	CATALOG DESIGNATION	FIN SIZE IN INCHES	FIN/FT	FIN THICKNESS	ENCL HEIGHT IN INCHES	TIERS AND CENTERS IN INCHES	MTG. HEIGHT IN INCHES		1.00	200°	190°	180°	170°	160°
1"	VR11	2-3/4 x 3-3/4	40	.024"	11*	1	15	900	0.86	0.78	0.69	0.61	0.53	0.45
1-1/4"	VS133	3-1/4" SQ.	32	.032"	"	"	"	920	0.86	0.78	0.69	0.61	0.53	0.45
1-1/4"	VS134	3-1/4" SQ.	40	.032"	"	"	"	1000	0.86	0.78	0.69	0.61	0.53	0.45
1-1/4"	VS133	3-1/4" SQ.	32	.032"	14	1	18	960	0.86	0.78	0.69	0.61	0.53	0.45
1-1/4"	VS134	3-1/4" SQ.	40	.032"	14	1	18	1120	0.86	0.78	0.69	0.61	0.53	0.45

- Notes: 1) Steel fins furnished as .032 thick painted black.
 2) NPT threads furnished on steel elements. Please use domestic fittings for proper installation.
 3) The ends can be provided chamfered for field welded fittings when specified.

*Not recommended for steam applications consult factory.

COPPER/ALUMINUM ELEMENT								STEAM 215° FACTOR	HOT WATER (AVG.)					
TUBE SIZE	CATALOG DESIGNATION	FIN SIZE IN INCHES	FIN/FT	FIN THICKNESS	ENCL HEIGHT IN INCHES	TIERS AND CENTERS IN INCHES	MTG. HEIGHT IN INCHES		1.00	200°	190°	180°	170°	160°
3/4"	VC3/4-34	3-1/4" SQ.	40	.020"	11*	1	15	1180	0.86	0.78	0.69	0.61	0.53	0.45
3/4"	VC3/4-35	3-1/4" SQ.	50	.020"	"	"	"	1320	0.86	0.78	0.69	0.61	0.53	0.45
1"	VC33	3-1/4" SQ.	32	.020"	"	"	"	980	0.86	0.78	0.69	0.61	0.53	0.45
1"	VC34	3-1/4" SQ.	40	.020"	"	"	"	1150	0.86	0.78	0.69	0.61	0.53	0.45
1"	VC35	3-1/4" SQ.	50	.020"	"	"	"	1260	0.86	0.78	0.69	0.61	0.53	0.45
1-1/4"	VC133	3-1/4" SQ.	32	.020"	"	"	"	920	0.86	0.78	0.69	0.61	0.53	0.45
1-1/4"	VC134	3-1/4" SQ.	40	.020"	"	"	"	1080	0.86	0.78	0.69	0.61	0.53	0.45
1-1/4"	VC135	3-1/4" SQ.	50	.020"	"	"	"	1190	0.86	0.78	0.69	0.61	0.53	0.45
3/4"	VR01	2-1/4 x 2-1/2	50	.011"	"	"	"	710	0.86	0.78	0.69	0.61	0.53	0.45
3/4"	VR02	2-3/4 x 2-1/2	60	.011"	"	"	"	950	0.86	0.78	0.69	0.61	0.53	0.45
3/4"	VR04	2-3/4 x 3-3/4	50	.011"	"	"	"	980	0.86	0.78	0.69	0.61	0.53	0.45
1"	VR05	2-3/4 x 3-3/4	50	.011"	"	"	"	990	0.86	0.78	0.69	0.61	0.53	0.45
1"	VR03	2-3/4 x 2-1/2	55	.011"	"	"	"	920	0.86	0.78	0.69	0.61	0.53	0.45
3/4"	VC3/4-34	3-1/4" SQ.	40	.020"	14	1	18	1290	0.86	0.78	0.69	0.61	0.53	0.45
3/4"	VC3/4-35	3-1/4" SQ.	50	.020"	"	"	"	1440	0.86	0.78	0.69	0.61	0.53	0.45
1"	VC33	3-1/4" SQ.	32	.020"	"	"	"	1060	0.86	0.78	0.69	0.61	0.53	0.45
1"	VC34	3-1/4" SQ.	40	.020"	"	"	"	1250	0.86	0.78	0.69	0.61	0.53	0.45
1"	VC35	3-1/4" SQ.	50	.020"	"	"	"	1370	0.86	0.78	0.69	0.61	0.53	0.45
1-1/4"	VC133	3-1/4" SQ.	32	.020"	14	1	18	1020	0.86	0.78	0.69	0.61	0.53	0.45
1-1/4"	VC134	3-1/4" SQ.	40	.020"	"	"	"	1190	0.86	0.78	0.69	0.61	0.53	0.45
1-1/4"	VC135	3-1/4" SQ.	50	.020"	"	"	"	1330	0.86	0.78	0.69	0.61	0.53	0.45

*Not recommended for steam applications consult factory.

Note: Copper tube furnished flared one end standard.

Steam Bracket and BB Hanger

ELEMENT TUBE SIZE	CRADLE NO.	A MIN	A MAX
3/4 COPPER	2	7 3/8	9 5/8
1" COPPER	2	7 1/2	9 3/4
1 1/4 COPPER	2	7 5/8	9 7/8
1 1/4 STEEL	1	7"	9 1/4

14" Enclosure Only

