

# LINOVECTOR II

LV3-R / LV4-R  
Flat Top Enclosures  
Copper/Aluminum &  
Steel Element Ratings

## Submittal

# Specification

### LV3 Slip Jointed Enclosure

#### ENCLOSURE:

- STYLE: Flat Top, Rounded Outlet
- OUTLET: Stamped Louvers  
Pencil Proof
- LENGTHS: 2' thru 8' in 6" Increments
- MAT'L:  16 Ga. CRS Std..
- FINISH:  Prime Finish Std.  
 Baked Enamel (Opt'l).  
 14 Ga. Aluminum (Opt'l)

#### ACCESSORIES:

- Overlapping Type
- All accessories return to the wall at the bottom and have pre-punched holes for fastening to the wall.

#### ELEMENT:

- TYPE:  Cu/Al (Mechanically Expanded)
- LENGTHS: 2'0" thru 12'6" in 1" Increments for 1" & 1-1/4" Cu.  
2' thru 8' in 1" Increments for 3/4" Cu.
- TYPE:  One End Flared, Std.
- TYPE:  IPS Steel (Mechanically Expanded)
- LENGTHS: 2'0" thru 12'6" in 1" Increments
- NPT Thread both Ends Std.  
 Beveled Ends for Field Weld  
See Catalog for Working Pressures

### LV4 Slip Jointed Enclosure

#### BACKPLATE:

- TYPE:  Partial B/P
- LENGTHS: 8' Only
- MAT'L:  20 Ga. Prepainted Std.  
 18 Ga. Galvannealed (Opt'l)
- TYPE:  Full Ht. B/P (Opt'l)
- LENGTHS: 2' thru 8' in 6" increments
- MAT'L:  20 Ga. Galvannealed (Opt'l)  
 18 Ga. Painted (Opt'l)

#### AIRSEAL:

- 1/8" x 3/8" Closed Cell (Opt'l)

#### BRACKETS:

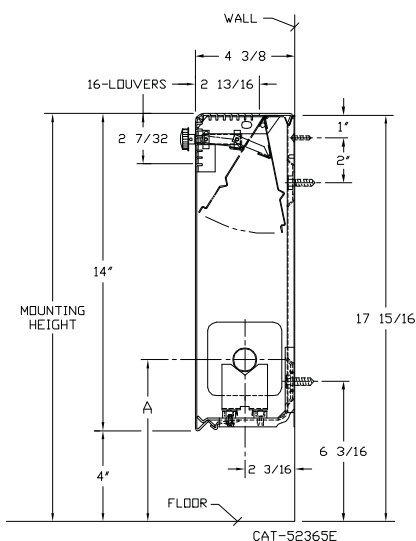
- Water Brkt w/B.B.  
 Steam Brkt w/Brkt Mtd B.B. Hngr

#### DAMPER:

- Damper Blades Factory Installed  
 Knob Damper (Opt'l)  
 Tamper Resistant (Opt'l)

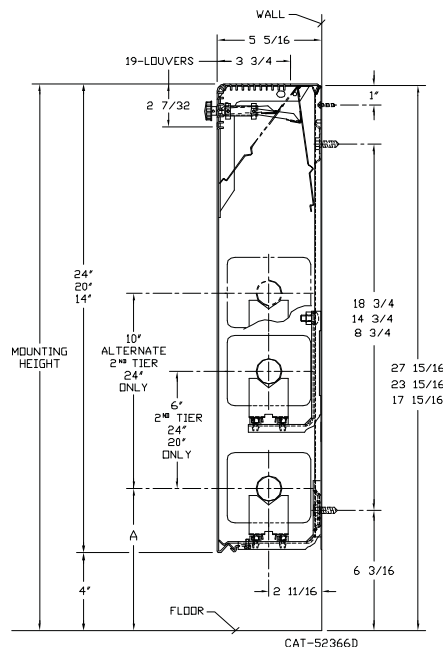
### LV3-R 14

ELEMENT TUBE SIZE	CRADLE NO.	A
3/4 COPPER	2	7"
1" COPPER	2	7 3/16
1 1/4 COPPER	1	6 5/8
1 1/4 STEEL	1	6 13/16



### LV4-R 14 20 24

ELEMENT TUBE SIZE	CRADLE NO.	A
3/4 COPPER	2	7"
1" COPPER	2	7 3/16
1 1/4 COPPER	2	7 5/16
1 1/4 STEEL	2	7 1/2
2" STEEL	1	7 1/4



# Vulcan

RADIATOR

260 North Elm St., Westfield, MA 01085  
(413) 568-9571 Fax: (413) 564-5661  
www.vulcanrad.com

PROJECT: \_\_\_\_\_ DATE: \_\_\_\_\_  
LOCATION: \_\_\_\_\_  
ARCHITECT: \_\_\_\_\_  
ENGINEER: \_\_\_\_\_  
CONTRACTOR: \_\_\_\_\_  
PO NUMBER: \_\_\_\_\_

# STYLE "LV3-R / LV4-R" FLAT TOP

STEEL ELEMENT†								STEAM 215° FACTOR	HOT WATER (AVG.)					
I.P.S. SIZE	CATALOG DESIGNATION	FIN SIZE IN INCHES	FIN/FT	FIN THICKNESS	ENCL HEIGHT IN INCHES	TIERS AND CENTERS IN INCHES	MTG. HEIGHT IN INCHES		1.00	0.86	0.78	0.69	0.61	0.53
1-1/4"	VS133	3-1/4" SQ.	32	.032"	14	1	18	990	850	770	680	600	520	450
1-1/4"	VS134	3-1/4" SQ.	40	.032"	14	1	18	1120	960	870	770	680	590	500
1-1/4"	VS143	4-1/4" SQ.	32	.032"	14	1	18	1420	1230	1110	990	870	760	640
					20	1	24	1420	1230	1110	990	870	760	640
					"	2-6 CL	"	2240	1930	1750	1550	1370	1190	1000
					24	1	28	1430	1230	1120	990	880	760	650
					"	2-6 CL	"	2290	1970	1790	1580	1400	1210	1030
1-1/4"	VS144	4-1/4" SQ.	40	.032"	14	1	18	1540	1320	1200	1060	940	820	680
					20	1	24	1620	1390	1260	1120	990	860	730
					"	2-6 CL	"	2400	2060	1850	1660	1460	1270	1080
					24	1	28	1680	1440	1310	1160	1020	890	760
					"	2-6 CL	"	2510	2160	1960	1730	1530	1330	1130
2"	VS242	4-1/4" SQ.	25	.032"	14	1	18	1230	1060	950	850	750	650	550
					20	1	24	1240	1070	960	850	750	650	550
					"	2-6 CL	"	1940	1670	1510	1340	1180	1030	870
					24	1	28	1250	1080	980	860	760	660	560
					"	2-6 CL	"	2000	1720	1560	1380	1220	1060	900
2"	VS243	4-1/4" SQ.	32	.032"	14	1	18	1420	1230	1110	990	870	760	640
					20	1	24	1460	1260	1140	1010	890	770	660
					"	2-6 CL	"	2140	1840	1670	1480	1300	1130	960
					24	1	28	1480	1270	1150	1020	900	780	670
					"	2-6 CL	"	2220	1890	1720	1520	1340	1170	990
					14	1	18	2280	1960	1780	1570	1390	1210	1030

- Notes: 1) Steel fins furnished as .032 thick painted black.  
 2) NPT threads furnished on steel elements. Please use domestic fittings for proper installation.  
 3) The ends can be provided chamfered for field welded fittings when specified.

COPPER/ALUMINUM ELEMENT								STEAM 215° FACTOR	HOT WATER (AVG.)					
TUBE SIZE	CATALOG DESIGNATION	FIN SIZE IN INCHES	FIN/FT	FIN THICKNESS	ENCL HEIGHT IN INCHES	TIERS AND CENTERS IN INCHES	MTG. HEIGHT IN INCHES		1.00	0.86	0.78	0.69	0.61	0.53
3/4"	VC3/4-34	3-1/4" SQ.	40	.020"	14	1	18	1240	1070	970	860	760	660	560
3/4"	VC3/4-35	3-1/4" SQ.	50	.020"	"	"	"	1420	1220	1110	980	870	750	640
1"	VC33	3-1/4" SQ.	32	.020"	"	"	"	1050	900	820	720	640	560	470
1"	VC34	3-1/4" SQ.	<b>40</b>	<b>.020"</b>	"	"	"	<b>1190</b>	<b>1020</b>	<b>930</b>	<b>820</b>	<b>730</b>	<b>630</b>	<b>540</b>
1"	VC35	3-1/4" SQ.	50	.020"	"	1	"	1430	1230	1120	990	870	760	640
1-1/4"	VC133	3-1/4" SQ.	32	.020"	14	1	18	1010	870	790	700	620	540	450
1-1/4"	VC134	3-1/4" SQ.	40	.020"	"	"	"	1120	960	870	770	680	590	500
1-1/4"	VC135	3-1/4" SQ.	50	.020"	"	"	"	1340	1150	1050	920	820	710	600
3/4"	VC3/4-434	4-1/4 x 3-5/8	40	.020"	14	1	18	1690	1450	1320	1170	1030	900	760
					20	1	24	1790	1540	1400	1240	1090	950	810
					"	2-6 CL	"	2490	2140	1940	1720	1520	1320	1120
					24	1	28	1870	1610	1460	1290	1140	990	840
					"	2-6 CL	"	2590	2230	2020	1790	1580	1370	1170
3/4"	VC3/4-435	4-1/4 x 3-5/8	50	.020"	14	1	18	1930	1660	1510	1330	1180	1020	870
					20	1	24	2110	1810	1650	1460	1290	1120	950
					"	2-6 CL	"	2640	2270	2060	1820	1610	1400	1190
					24	1	28	2210	1900	1720	1520	1350	1170	990
					"	2-6 CL	"	2820	2430	2200	1950	1720	1490	1270
1"	VC433	4-1/4 x 3-5/8	32	.020"	14	1	18	1560	1340	1220	1080	950	830	700
					20	1	24	1610	1380	1260	1110	980	850	720
					"	2-6 CL	"	2480	2130	1930	1710	1510	1310	1120
					24	1	28	1650	1420	1290	1140	1010	870	740
					"	2-6 CL	"	2560	2200	2000	1770	1560	1360	1150
					14	1	18	2610	2240	2040	1800	1590	1380	1170

# STYLE "LV3-R / LV4-R" FLAT TOP

COPPER/ALUMINUM ELEMENT								STEAM 215° FACTOR	HOT WATER (AVG.)					
TUBE SIZE	CATALOG DESIGNATION	FIN SIZE IN INCHES	FIN/FT	FIN THICKNESS	ENCL HEIGHT IN INCHES	TIERS AND CENTERS IN INCHES	MTG. HEIGHT IN INCHES		FACTOR					
									200°	190°	180°	170°	160°	150°
1"	VC434	4-1/4 x 3-5/8	40	.020"	14	1	18	1770	1520	1380	1220	1080	940	800
					20	1	24	1880	1620	1470	1300	1150	1000	850
					"	2-6 CL	"	2600	2240	2030	1790	1590	1380	1170
					24	1	28	1950	1680	1520	1350	1190	1030	880
					"	2-6 CL	"	2720	2340	2120	1880	1660	1440	1220
					"	2-10 CL	"	2840	2440	2220	1960	1730	1510	1280
1"	VC435	4-1/4 x 3-5/8	50	.020"	14	1	18	2030	1750	1580	1400	1240	1080	910
					20	1	24	2220	1910	1730	1530	1350	1180	1000
					"	2-6 CL	"	2770	2380	2160	1910	1690	1470	1250
					24	1	28	2330	2000	1820	1610	1420	1230	1050
					"	2-6 CL	"	2970	2550	2320	2050	1810	1570	1340
					"	2-10 CL	"	3040	2610	2370	2100	1850	1610	1370
1-1/4"	VC1433	4-1/4 x 3-5/8	32	.020"	14	1	18	1530	1320	1190	1060	930	810	690
					20	1	24	1590	1370	1240	1100	970	840	720
					"	2-6 CL	"	2470	2120	1930	1700	1510	1310	1110
					24	1	28	1630	1400	1270	1120	990	860	730
					"	2-6 CL	"	2580	2220	2010	1780	1570	1370	1160
					"	2-10 CL	"	2600	2240	2030	1790	1590	1380	1170
1-1/4"	VC1434	4-1/4 x 3-5/8	40	.020"	14	1	18	1750	1510	1370	1210	1070	930	790
					20	1	24	1850	1590	1440	1280	1130	980	830
					"	2-6 CL	"	2620	2250	2040	1810	1600	1390	1180
					24	1	28	1920	1650	1500	1320	1170	1020	860
					"	2-6 CL	"	2750	2370	2150	1900	1680	1460	1240
					"	2-10 CL	"	2810	2420	2190	1940	1710	1490	1260
1-1/4"	VC1435	4-1/4 x 3-5/8	50	.020"	14	1	18	2040	1750	1590	1410	1240	1080	920
					20	1	24	2240	1930	1750	1550	1370	1190	1010
					"	2-6 CL	"	2730	2350	2130	1880	1670	1450	1230
					24	1	28	2380	2050	1860	1640	1450	1260	1070
					"	2-6 CL	"	3000	2580	2340	2070	1830	1590	1350
					"	2-10 CL	"	3030	2610	2360	2090	1850	1610	1360
1"	VC43	4-1/4" SQ.	32	.020"	14	1	18	1710	1470	1330	1180	1040	910	770
					20	1	24	1760	1510	1370	1210	1070	930	790
					"	2-6 CL	"	2720	2340	2120	1880	1660	1440	1220
					24	1	28	1810	1560	1410	1250	1100	960	810
					"	2-6 CL	"	2810	2420	2190	1940	1710	1490	1260
					"	2-10 CL	"	2860	2460	2230	1970	1740	1520	1290
1"	VC44	4-1/4" SQ.	40	.020"	14	1	18	1940	1670	1510	1340	1180	1030	870
					20	1	24	2070	1780	1610	1430	1260	1100	930
					"	2-6 CL	"	2850	2450	2220	1970	1740	1510	1280
					24	1	28	2140	1840	1670	1480	1310	1130	960
					"	2-6 CL	"	2990	2570	2330	2060	1820	1580	1350
					"	2-10 CL	"	3130	2690	2440	2160	1910	1660	1410
1"	VC45	4-1/4" SQ.	50	.020"	14	1	18	2220	1910	1730	1530	1350	1180	1000
					20	1	24	2430	2090	1900	1680	1480	1290	1090
					"	2-6 CL	"	3030	2610	2360	2090	1850	1610	1360
					24	1	28	2550	2190	1990	1760	1560	1350	1150
					"	2-6 CL	"	3250	2800	2540	2240	1980	1720	1460
					"	2-10 CL	"	3330	2860	2600	2300	2030	1760	1500
1-1/4"	VC143	4-1/4" SQ.	32	.020"	14	1	18	1700	1460	1330	1170	1040	900	770
					20	1	24	1740	1500	1360	1200	1060	920	780
					"	2-6 CL	"	2670	2300	2080	1840	1630	1420	1200
					24	1	28	1780	1530	1390	1230	1090	940	800
					"	2-6 CL	"	2720	2340	2120	1880	1660	1440	1220
					"	2-10 CL	"	2800	2410	2180	1930	1710	1480	1260
1-1/4"	VC144	4-1/4" SQ.	40	.020"	14	1	18	1950	1680	1520	1350	1190	1030	880
					20	1	24	2090	1800	1630	1440	1270	1110	940
					"	2-6 CL	"	2810	2420	2190	1940	1710	1490	1260
					24	1	28	2160	1860	1680	1490	1320	1140	970
					"	2-6 CL	"	2940	2530	2290	2030	1790	1560	1320
					"	2-10 CL	"	3150	2710	2460	2170	1920	1670	1420
1-1/4"	VC145	4-1/4" SQ.	50	.020"	14	1	18	2100	1810	1640	1450	1280	1110	950
					20	1	24	2300	1980	1790	1590	1400	1220	1040
					"	2-6 CL	"	2940	2530	2290	2030	1790	1560	1320
					24	1	28	2380	2050	1860	1640	1450	1260	1070
					"	2-6 CL	"	3060	2630	2390	2110	1870	1620	1380
					"	2-10 CL	"	3180	2730	2480	2190	1940	1690	1430

Note: Copper tube furnished flared one end standard.

## Steam Bracket and BB Hanger

ELEMENT TUBE SIZE	CRADLE NO.	A MIN	A MAX
3/4 COPPER	2	7 3/8	9 5/8
1" COPPER	2	7 1/2	9 3/4
1 1/4 COPPER	2	7 5/8	9 7/8
1 1/4 STEEL	1	7"	9 1/4

ELEMENT TUBE SIZE	CRADLE NO.	A MIN	A MAX
3/4 COPPER	2	7 3/8	8 3/4
1" COPPER	2	7 1/2	8 7/8
1 1/4 COPPER	2	7 5/8	9"
1 1/4 STEEL	2	7 7/8	9 1/4
2" STEEL	1	7 5/8	9"

