

LINOVECTOR II

Submittal

LV3-FT / LV4-FT 14, 20, 24
Flat Top Enclosures
Copper/Aluminum &
Steel Element Ratings

Specification

LV3 Slip Jointed Enclosure

ENCLOSURE:

- STYLE: Flat Top, Top & Front Outlet
 OUTLET: Stamped Louvers
 Pencil Proof
- LENGTHS: 2' thru 8' in 6" Increments
 MAT'L: 16 Ga. CRS STD.
 14 Ga. CRS (Opt'l)
 FINISH: Prime Finish Std.
 Baked Enamel (Opt'l).
 16 Ga. Stainless Steel (Opt'l)
 14 Ga. Aluminum (Opt'l)

ACCESSORIES:

- Overlapping Type
 All accessories return to the wall at the bottom and have pre-punched holes for fastening to the wall.

ELEMENT:

- TYPE: Cu/Al (Mechanically Expanded)
 LENGTHS: 2'0" thru 12'6" in 1" Increments for 1" & 1-1/4" Cu.
 2' thru 8' in 1" Increments for 3/4" Cu.
 One End Flared, Std.
- TYPE: IPS Steel (Mechanically Expanded)
 LENGTHS: 2'0" thru 12'6" in 1" Increments
 NPT Thread both Ends Std.
 Beveled Ends for Field Weld
 See Catalog for Working Pressures

LV4 Slip Jointed Enclosure

BACKPLATE:

- TYPE: Partial B/P
 LENGTHS: 8' Only
 MAT'L: 20 Ga. Prepainted Std.
 18 Ga. Galvannealed (Opt'l)
- TYPE: Full Ht. B/P (Opt'l)
 LENGTHS: 2' thru 8' in 6" increments
 MAT'L: 20 Ga. Galvannealed (Opt'l)
 18 Ga. Painted (Opt'l)

AIRSEAL:

- 1/8" x 3/8" Closed Cell (Opt'l)

BRACKETS:

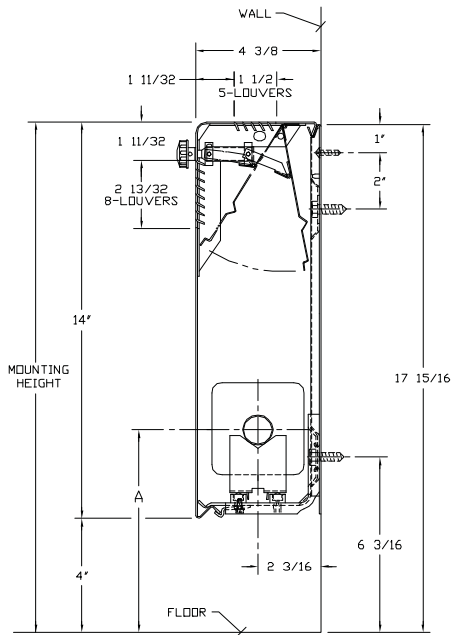
- Water Brkt w/B.B.
 Steam Brkt w/Brkt Mtd B.B. Hngr

DAMPER:

- Damper Blades Factory Installed
 Knob Damper (Opt'l)
 Tamper Resistant (Opt'l)

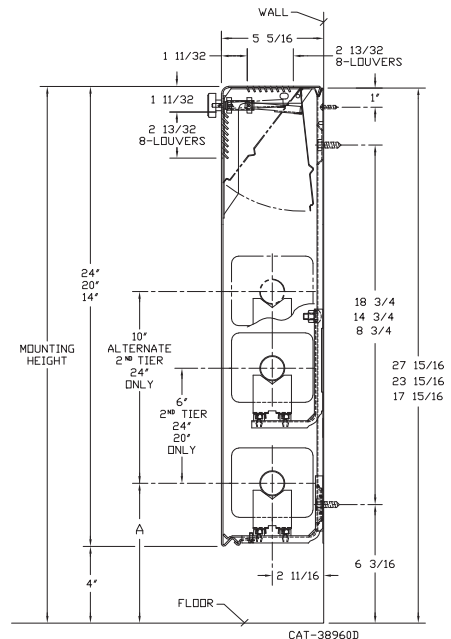
LV3-FT 14

ELEMENT TUBE SIZE	CRADLE	A
3/4" COPPER	2	7
1" COPPER	2	7-3/16
1-1/4" COPPER	1	6-5/8
1-1/4" STEEL	1	6-13/16



LV4-FT 14 20 24

ELEMENT TUBE SIZE	CRADLE	A
3/4" COPPER	2	7
1" COPPER	2	7-3/16
1-1/4" COPPER	2	7-5/16
1-1/4" STEEL	2	7-1/2
2" STEEL	1	7-1/4



260 North Elm St., Westfield, MA 01085
 (413) 568-9571 Fax: (413) 564-5661
 www.vulcanrad.com

PROJECT: _____ DATE: _____
 LOCATION: _____
 ARCHITECT: _____
 ENGINEER: _____
 CONTRACTOR: _____
 PO NUMBER: _____

STYLE "LV3-FT / LV4-FT" FRONT & TOP OUTLET

STEEL ELEMENT†								STEAM 215° FACTOR	HOT WATER (AVG.) FACTOR					
I.P.S. SIZE	CATALOG DESIGNATION	FIN SIZE IN INCHES	FIN/FT	FIN THICKNESS	ENCL HEIGHT IN INCHES	TIERS AND CENTERS IN INCHES	MTG. HEIGHT IN INCHES		1.00	200°	190°	180°	170°	160°
1-1/4"	VS133	3-1/4" SQ.	32	.032"	14	1	18	910	780	710	630	560	480	410
1-1/4"	VS134	3-1/4" SQ.	40	.032"	14	1	18	1030	890	800	710	630	550	460
1-1/4"	VS143	4-1/4" SQ.	32	.032"	14	1	18	1290	1110	1010	890	790	680	580
					20	1	24	1320	1140	1030	910	810	700	590
					"	2-6 CL	"	2060	1770	1610	1420	1260	1090	930
					24	1	28	1340	1150	1050	930	820	710	600
					"	2-6 CL	"	2100	1810	1640	1450	1280	1110	950
"	"	2-10 CL	"	2200	1890	1720	1520	1340	1170	990	810	630	550	
1-1/4"	VS144	4-1/4" SQ.	40	.032"	14	1	18	1510	1300	1180	1040	920	800	680
					20	1	24	1600	1380	1250	1100	980	850	720
					"	2-6 CL	"	2330	2000	1820	1610	1420	1240	1050
					24	1	28	1660	1430	1300	1150	1010	880	750
					"	2-6 CL	"	2410	2070	1880	1660	1470	1280	1090
"	"	2-10 CL	"	2520	2170	1970	1740	1540	1340	1130				
2"	VS242	4-1/4" SQ.	25	.032"	14	1	18	1160	1000	910	800	710	620	520
					20	1	24	1190	1020	930	820	730	630	540
					"	2-6 CL	"	1870	1610	1460	1290	1140	990	840
					24	1	28	1210	1040	940	840	740	640	550
					"	2-6 CL	"	1920	1650	1500	1330	1170	1020	860
"	"	2-10 CL	"	1990	1710	1550	1370	1210	1060	900	740	580		
2"	VS243	4-1/4" SQ.	32	.032"	14	1	18	1350	1160	1050	930	820	720	610
					20	1	24	1400	1200	1090	970	850	740	630
					"	2-6 CL	"	2090	1800	1630	1440	1280	1110	940
					24	1	28	1430	1230	1120	990	870	760	640
					"	2-6 CL	"	2160	1860	1690	1490	1320	1150	970
"	"	2-10 CL	"	2260	1940	1760	1560	1380	1200	1020	840	660		

- Notes: 1) Steel fins furnished as .032 thick painted black.
 2) NPT threads furnished on steel elements. Please use domestic fittings for proper installation.
 3) The ends can be provided chamfered for field welded fittings when specified.

COPPER/ALUMINUM ELEMENT								STEAM 215° FACTOR	HOT WATER (AVG.) FACTOR					
TUBE SIZE	CATALOG DESIGNATION	FIN SIZE IN INCHES	FIN/FT	FIN THICKNESS	ENCL HEIGHT IN INCHES	TIERS AND CENTERS IN INCHES	MTG. HEIGHT IN INCHES		1.00	200°	190°	180°	170°	160°
3/4"	VC3/4-34	3-1/4" SQ.	40	.020"	14	1	18	1210	1040	940	830	740	640	540
3/4"	VC3/4-35	3-1/4" SQ.	50	.020"	"	"	"	1340	1150	1050	920	820	710	600
1"	VC33	3-1/4" SQ.	32	.020"	"	"	"	1010	870	790	700	620	540	450
1"	VC34	3-1/4" SQ.	40	.020"	"	"	"	1180	1010	920	810	720	630	530
1"	VC35	3-1/4" SQ.	50	.020"	"	"	"	1290	1110	1010	890	790	680	580
1-1/4"	VC133	3-1/4" SQ.	32	.020"	14	1	18	970	830	760	670	590	510	440
1-1/4"	VC134	3-1/4" SQ.	40	.020"	"	"	"	1130	970	880	780	690	600	510
1-1/4"	VC135	3-1/4" SQ.	50	.020"	"	"	"	1250	1080	970	860	760	660	560
3/4"	VC3/4-434	4-1/4 x 3-5/8	40	.020"	14	1	18	1620	1390	1260	1120	990	860	730
					20	1	24	1700	1460	1330	1170	1040	900	770
					"	2-6 CL	"	2410	2070	1880	1660	1470	1280	1080
					24	1	28	1740	1500	1360	1200	1060	920	780
					"	2-6 CL	"	2490	2140	1940	1720	1520	1320	1120
"	"	2-10 CL	"	2520	2170	1970	1740	1540	1340	1130				
3/4"	VC3/4-435	4-1/4 x 3-5/8	50	.020"	14	1	18	1770	1520	1380	1220	1080	940	800
					20	1	24	1920	1650	1500	1320	1170	1020	860
					"	2-6 CL	"	2680	2300	2090	1850	1630	1420	1210
					24	1	28	1990	1710	1550	1370	1210	1050	900
					"	2-6 CL	"	2860	2460	2230	1970	1740	1520	1290
"	"	2-10 CL	"	2970	2550	2320	2050	1810	1570	1340				
1"	VC433	4-1/4 x 3-5/8	32	.020"	14	1	18	1460	1260	1140	1010	890	770	660
					20	1	24	1520	1310	1190	1050	930	810	680
					"	2-6 CL	"	2320	2000	1810	1600	1420	1230	1040
					24	1	28	1570	1350	1220	1080	960	830	710
					"	2-6 CL	"	2380	2050	1860	1640	1450	1260	1070
"	"	2-10 CL	"	2380	2050	1860	1640	1450	1260	1070				
1"	VC434	4-1/4 x 3-5/8	40	.020"	14	1	18	1670	1440	1300	1150	1020	890	750
					20	1	24	1780	1530	1390	1230	1090	940	800
					"	2-6 CL	"	2490	2140	1940	1720	1520	1320	1120
					24	1	28	1820	1570	1420	1260	1110	960	820
					"	2-6 CL	"	2570	2210	2000	1770	1570	1360	1160
"	"	2-10 CL	"	2590	2230	2020	1790	1580	1370	1170				

STYLE "LV3-FT / LV4-FT" FRONT & TOP OUTLET

COPPER/ALUMINUM ELEMENT								STEAM 215° FACTOR	HOT WATER (AVG.)					
TUBE SIZE	CATALOG DESIGNATION	FIN SIZE IN INCHES	FIN/FT	FIN THICKNESS	ENCL HEIGHT IN INCHES	TIERS AND CENTERS IN INCHES	MTG. HEIGHT IN INCHES		200°	190°	180°	170°	160°	150°
									FACTOR					
1"	VC435	4-1/4 x 3-5/8	50	.020"	14	1	18	1860	1600	1450	1280	1130	990	840
					20	1	24	2010	1730	1570	1390	1230	1070	900
					"	2-6 CL	"	2510	2160	1960	1730	1530	1330	1130
					24	1	28	2080	1790	1620	1440	1270	1100	940
					"	2-6 CL	"	2680	2300	2090	1850	1630	1420	1210
					"	2-10 CL	"	2780	2390	2170	1920	1700	1470	1250
1-1/4"	VC1433	4-1/4 x 3-5/8	32	.020"	14	1	18	1430	1230	1120	990	870	760	640
					20	1	24	1490	1280	1160	1030	910	790	670
					"	2-6 CL	"	2280	1960	1780	1570	1390	1210	1030
					24	1	28	1540	1320	1200	1060	940	820	690
					"	2-6 CL	"	2340	2010	1830	1610	1430	1240	1050
					"	2-10 CL	"	2340	2010	1830	1610	1430	1240	1050
1-1/4"	VC1434	4-1/4 x 3-5/8	40	.020"	14	1	18	1630	1400	1270	1120	990	860	730
					20	1	24	1740	1500	1360	1200	1060	920	780
					"	2-6 CL	"	2440	2100	1900	1680	1490	1290	1100
					24	1	28	1780	1530	1390	1230	1090	940	800
					"	2-6 CL	"	2520	2170	1970	1740	1540	1340	1130
					"	2-10 CL	"	2550	2190	1990	1760	1560	1350	1150
1-1/4"	VC1435	4-1/4 x 3-5/8	50	.020"	14	1	18	1820	1570	1420	1260	1110	960	820
					20	1	24	1970	1690	1540	1360	1200	1040	890
					"	2-6 CL	"	2460	2120	1920	1700	1500	1300	1110
					24	1	28	2040	1750	1590	1410	1240	1080	920
					"	2-6 CL	"	2620	2250	2040	1810	1600	1390	1180
					"	2-10 CL	"	2720	2340	2120	1880	1660	1440	1220
1"	VC43	4-1/4" SQ.	32	.020"	14	1	18	1620	1390	1260	1120	990	860	730
					20	1	24	1660	1430	1290	1150	1010	880	750
					"	2-6 CL	"	2460	2120	1920	1700	1500	1300	1110
					24	1	28	1690	1450	1320	1170	1030	900	760
					"	2-6 CL	"	2510	2160	1960	1730	1530	1330	1130
					"	2-10 CL	"	2540	2180	1980	1750	1550	1350	1140
1"	VC44	4-1/4" SQ.	40	.020"	14	1	18	1760	1510	1370	1210	1070	930	790
					20	1	24	1940	1670	1510	1340	1180	1030	870
					"	2-6 CL	"	2560	2200	2000	1770	1560	1360	1150
					24	1	28	2010	1730	1570	1390	1230	1070	900
					"	2-6 CL	"	2700	2320	2110	1860	1650	1430	1220
					"	2-10 CL	"	2750	2370	2150	1900	1680	1460	1240
1"	VC45	4-1/4" SQ.	50	.020"	14	1	18	1900	1630	1480	1310	1160	1010	860
					20	1	24	2120	1820	1650	1460	1290	1120	950
					"	2-6 CL	"	2550	2190	1990	1760	1560	1350	1150
					24	1	28	2220	1910	1730	1530	1350	1180	1000
					"	2-6 CL	"	2730	2350	2130	1880	1670	1450	1230
					"	2-10 CL	"	2860	2460	2230	1970	1740	1520	1290
1-1/4"	VC143	4-1/4" SQ.	32	.020"	14	1	18	1590	1370	1240	1100	970	840	720
					20	1	24	1630	1400	1270	1120	990	860	730
					"	2-6 CL	"	2420	2080	1890	1670	1480	1280	1090
					24	1	28	1660	1430	1290	1150	1010	880	750
					"	2-6 CL	"	2470	2120	1930	1700	1510	1310	1110
					"	2-10 CL	"	2490	2140	1940	1720	1520	1320	1120
1-1/4"	VC144	4-1/4" SQ.	48	.020"	14	1	18	1730	1490	1350	1190	1060	920	780
					20	1	24	1900	1630	1480	1310	1160	1010	860
					"	2-6 CL	"	2510	2160	1960	1730	1530	1330	1130
					24	1	28	1970	1690	1540	1360	1200	1040	890
					"	2-6 CL	"	2660	2290	2070	1840	1620	1410	1200
					"	2-10 CL	"	2700	2320	2110	1860	1650	1430	1220
1-1/4"	VC145	4-1/4" SQ.	50	.020"	14	1	18	1860	1600	1450	1280	1130	990	840
					20	1	24	2080	1790	1620	1440	1270	1100	940
					"	2-6 CL	"	2510	2160	1960	1730	1530	1330	1130
					24	1	28	2190	1880	1710	1510	1340	1160	990
					"	2-6 CL	"	2680	2300	2090	1850	1630	1420	1210
					"	2-10 CL	"	2800	2410	2180	1930	1710	1480	1260

Note: Copper tube furnished flared one end standard.

Steam Bracket and BB Hanger

ELEMENT TUBE SIZE	CRADLE NO.	A MIN	A MAX
3/4 COPPER	2	7 3/8	9 5/8
1" COPPER	2	7 1/2	9 3/4
1 1/4 COPPER	2	7 5/8	9 7/8
1 1/4 STEEL	1	7"	9 1/4

ELEMENT TUBE SIZE	CRADLE NO.	A MIN	A MAX
3/4 COPPER	2	7 3/8	8 3/4
1" COPPER	2	7 1/2	8 7/8
1 1/4 COPPER	2	7 5/8	9"
1 1/4 STEEL	2	7 7/8	9 1/4
2" STEEL	1	7 5/8	9"

