

LINOVECTOR II

LV3-E / LV4-E
Top Outlet Enclosure
Copper/Aluminum Ratings
Steel Element Ratings

Submittal

Specification

LV3 Slip Jointed Enclosure

ENCLOSURE:

STYLE: Flat Top, Top Outlet
OUTLET: Stamped Louvers
Pencil Proof

LENGTHS: 2' thru 8' in 6" Increments
MAT'L: 18 Ga. CRS Std.

16 Ga. CRS (Opt'l)
 14 Ga. CRS (Opt'l)

FINISH: Prime Finish Std.
 Baked Enamel (Opt'l).
 16 Ga. Stainless Steel (Opt'l)
 14 Ga. Aluminum (Opt'l)

ACCESSORIES:

Overlapping Type
All accessories return to the wall at the bottom and have pre-punched holes for fastening to the wall.

ELEMENT:

TYPE: Cu/Al (Mechanically Expanded)

LENGTHS: 2'0" thru 12'6" in 1" Increments for 1" & 1-1/4" Cu.
2' thru 8' in 1" Increments for 3/4" Cu.

One End Flared, Std.

TYPE: IPS Steel (Mechanically Expanded)

LENGTHS: 2'0" thru 12'6" in 1" Increments
 NPT Thread both Ends Std.
 Beveled Ends for Field Weld
See Catalog for Working Pressures

LV4 Slip Jointed Enclosure

BRACKETS:

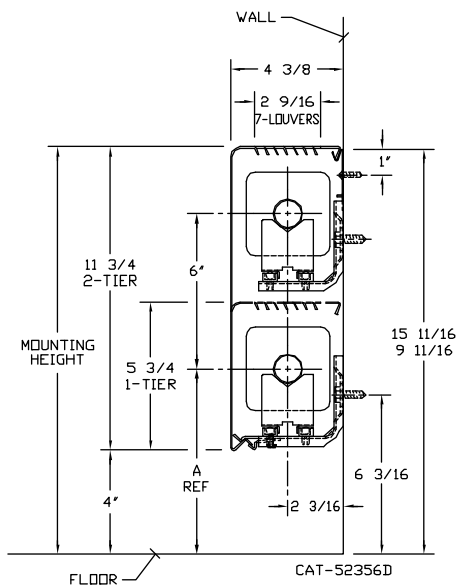
Water Brkt w/B.B.

DAMPER: Not Available

Not recommended for steam applications.
Consult factory

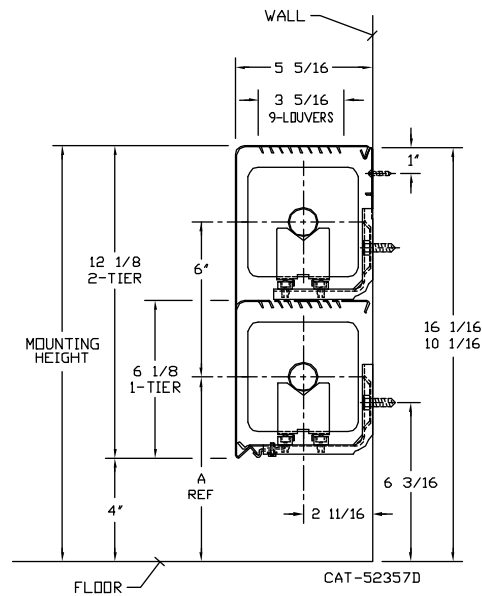
LV3-E5 11

ELEMENT TUBE SIZE	CRADLE NO.	A
3/4" COPPER	2	7
1" COPPER	2	7-3/16
1-1/4" COPPER	1	6-5/8
1-1/4" STEEL	1	6-13/16



LV4-E6 12

ELEMENT TUBE SIZE	CRADLE NO.	A
3/4" COPPER	2	7
1" COPPER	2	7-3/16
1-1/4" COPPER	2	7-5/16
1-1/4" STEEL	2	7-1/2
2" STEEL	1	7-1/4



Vulcan

RADIATOR

260 North Elm St., Westfield, MA 01085
(413) 568-9571 Fax: (413) 564-5661
www.vulcanrad.com

PROJECT: _____ DATE: _____

LOCATION: _____

ARCHITECT: _____

ENGINEER: _____

CONTRACTOR: _____

PO NUMBER: _____

STYLE "LVE" TOP OUTLET

STEEL ELEMENT								STEAM 215° FACTOR	HOT WATER (AVG.)					
I.P.S. SIZE	CATALOG DESIGNATION	FIN SIZE IN INCHES	FIN/FT	FIN THICKNESS	ENCL HEIGHT IN INCHES	TIERS AND CENTERS IN INCHES	MTG. HEIGHT IN INCHES		FACTOR					
								1.00	0.86	0.78	0.69	0.61	0.53	0.45
1-1/4"	VS133	3-1/4" SQ.	32	.032"	5	1	9-3/4	770	660	600	530	470	410	350
					11	2-6 CL	15-3/4	1320	1140	1030	910	810	700	590
1-1/4"	VS134	3-1/4" SQ.	40	.032"	5	1	9-3/4	870	750	680	600	530	460	390
					11	2-6 CL	15-3/4	1490	1280	1160	1030	910	790	670
1-1/4"	VS143	4-1/4" SQ.	32	.032"	6	1	10-1/8	1090	940	850	750	670	580	490
					12	2-6 CL	16-1/8	1840	1580	1440	1270	1120	980	830
1-1/4"	VS144	4-1/4" SQ.	40	.032"	6	1	10-1/8	1210	1040	940	830	740	640	540
					12	2-6 CL	16-1/8	1900	1630	1480	1310	1160	1010	860
2"	VS242	4-1/4" SQ.	25	.032"	6	1	10-1/8	950	820	740	660	580	500	430
					12	2-6 CL	16-1/8	1620	1390	1260	1120	990	860	730
2"	VS243	4-1/4" SQ.	32	.032"	6	1	10-1/8	1130	970	880	780	690	600	510
					12	2-6 CL	16-1/8	1770	1520	1380	1220	1080	940	800

- Notes: 1) Steel fins furnished as .032 thick painted black
 2) NPT threads furnished on steel elements. Please use domestic fittings for proper installation.
 3) The ends can be provided chamfered for field welded fittings when specified.

COPPER/ALUMINUM ELEMENT								STEAM 215° FACTOR	HOT WATER (AVG.)					
TUBE SIZE	CATALOG DESIGNATION	FIN SIZE IN INCHES	FIN/FT	FIN THICKNESS	ENCL HEIGHT IN INCHES	TIERS AND CENTERS IN INCHES	MTG. HEIGHT IN INCHES		FACTOR					
								1.00	0.86	0.78	0.69	0.61	0.53	0.45
3/4"	VC3/4-34	3-1/4" SQ.	40	.020"	5	1	9-3/4	970	835	755	670	590	495	435
					11	2-6 CL	15-3/4	1490	1280	1160	1030	910	760	670
3/4"	VC3/4-35	3-1/4" SQ.	50	.020"	5	1	9-3/4	980	840	765	675	600	500	440
					11	2-6 CL	15-3/4	1440	1240	1125	995	880	735	650
1"	VC33	3-1/4" SQ.	32	.020"	5	1	9-3/4	820	705	640	565	500	420	370
					11	2-6 CL	15-3/4	1360	1170	1060	940	830	695	610
1"	VC34	3-1/4" SQ.	40	.020"	5	1	9-3/4	950	820	740	655	580	485	425
					11	2-6 CL	15-3/4	1470	1265	1145	1015	900	750	660
1"	VC35	3-1/4" SQ.	50	.020"	5	1	9-3/4	960	825	750	660	585	490	430
					11	2-6 CL	15-3/4	1470	1265	1145	1015	900	750	660
1-1/4"	VC133	3-1/4" SQ.	32	.020"	5	1	9-3/4	780	670	610	540	475	400	350
					11	2-6 CL	15-3/4	1320	1135	1030	910	805	675	595
1-1/4"	VC134	3-1/4" SQ.	40	.020"	5	1	9-3/4	910	780	710	630	555	465	410
					11	2-6 CL	15-3/4	1400	1205	1090	965	855	715	630
1-1/4"	VC135	3-1/4" SQ.	50	.020"	5	1	9-3/4	920	790	715	635	560	470	415
					11	2-6 CL	15-3/4	1380	1185	1075	950	840	705	620

Note: Copper tube furnished flared one end standard.

STYLE "LVE" TOP OUTLET

COPPER/ALUMINUM ELEMENT								STEAM 215° FACTOR	HOT WATER (AVG.)					
TUBE SIZE	CATALOG DESIGNATION	FIN SIZE IN INCHES	FIN/FT	FIN THICKNESS	ENCL HEIGHT IN INCHES	TIERS AND CENTERS IN INCHES	MTG. HEIGHT IN INCHES		FACTOR					
								1.00	0.86	0.78	0.69	0.61	0.53	0.45
3/4"	VC3/4-434	4-1/4 x 3-5/8	40	.020"	6	1	10-1/8	1190	1025	930	820	725	605	535
					12	2-6 CL	16-1/8	1900	1635	1480	1310	1160	970	855
3/4"	VC3/4-435	4-1/4 x 3-5/8	50	.020"	6	1	10-1/8	1270	1090	990	875	775	650	570
					12	2-6 CL	16-1/8	2060	1770	1610	1420	1255	1050	925
1"	VC433	4-1/4 x 3-5/8	32	.020"	6	1	10-1/8	1110	955	865	765	675	565	500
					12	2-6 CL	16-1/8	1690	1455	1320	1165	1030	860	760
1"	VC434	4-1/4 x 3-5/8	40	.020"	6	1	10-1/8	1230	1055	960	850	740	625	555
					12	2-6 CL	16-1/8	1960	1685	1530	1352	1195	1000	880
1"	VC435	4-1/4 x 3-5/8	50	.020"	6	1	10-1/8	1320	1135	1030	910	805	675	595
					12	2-6 CL	16-1/8	1930	1660	1510	1330	1175	985	870
1-1/4"	VC1433	4-1/4 x 3-5/8	32	.020"	6	1	10-1/8	1090	935	815	705	605	515	450
					12	2-6 CL	16-1/8	1660	1425	1295	1145	1010	845	745
1-1/4"	VC1434	4-1/4 x 3-5/8	40	.020"	6	1	10-1/8	1210	1040	780	835	740	615	545
					12	2-6 CL	16-1/8	1920	1650	1500	1325	1170	980	865
1-1/4"	VC1435	4-1/4 x 3-5/8	50	.020"	6	1	10-1/8	1300	1120	1015	900	795	665	585
					12	2-6 CL	16-1/8	1890	1625	1475	1305	1155	965	850
1"	VC43	4-1/4" SQ.	32	.020"	6	1	10-1/8	1220	1050	820	840	745	620	550
					12	2-6 CL	16-1/8	1920	1650	1495	1325	1170	980	865
1"	VC44	4-1/4" SQ.	40	.020"	6	1	10-1/8	1480	1270	1150	1020	900	780	670
					12	2-6 CL	16-1/8	2010	1730	1565	1385	1226	1025	905
1"	VC45	4-1/4" SQ.	50	.020"	6	1	10-1/8	1370	1180	1070	945	835	700	615
					12	2-6 CL	16-1/8	1930	1660	1510	1330	1175	985	870
1-1/4"	VC143	4-1/4" SQ.	32	.020"	6	1	10-1/8	1200	1030	935	830	730	610	540
					12	2-6 CL	16-1/8	1880	1615	1465	1300	1145	960	845
1-1/4"	VC144	4-1/4" SQ.	40	.020"	6	1	10-1/8	1330	1145	895	920	810	680	600
					12	2-6 CL	16-1/8	1970	1695	1535	1360	1200	1000	885
1-1/4"	VC145	4-1/4" SQ.	50	.020"	6	1	10-1/8	1350	1160	1055	930	825	690	610
					12	2-6 CL	16-1/8	1890	1625	1475	1305	1155	965	850

Note: Copper tube furnished flared one end standard.

► Bold, italicized units are  rated ◀

STYLE E ACCESSORIES

