

LINOVECTOR II

Submittal

LV2-T8, 11, 14
Flat Top Enclosures
Copper/Aluminum &
Steel Element Ratings

Specification

LV2 Slip Jointed Enclosure

ENCLOSURE:

STYLE: Flat Top, Top Outlet
OUTLET: Stamped Louvers
Pencil Proof

LENGTHS: 2' thru 8' in 6" Increments
MAT'L: 16 Ga. CRS STD.

14 Ga. CRS (Opt'l)

FINISH: Prime Finish Std.
 Baked Enamel (Opt'l).
 16 Ga. Stainless Steel (Opt'l)
 14 Ga. Aluminum (Opt'l)

ACCESSORIES:

Overlapping Type

All accessories return to the wall at the bottom and have pre-punched holes for fastening to the wall.

ELEMENT:

TYPE: Cu/Al (Mechanically Expanded)

LENGTHS: 2'0" thru 12'6" in 1" Increments for 1' & 1-1/4' Cu.
2' thru 8' in 1" Increments for 3/4" Cu.

One End Flared, Std.

TYPE: IPS Steel (Mechanically Expanded)

LENGTHS: 2'0" thru 12'6" in 1" Increments
 NPT Thread both Ends Std.
 Beveled Ends for Field Weld
See Catalog for Working Pressures

BACKPLATE:

TYPE: Partial B/P

LENGTHS: 8' Only

MAT'L: 20 Ga. Prepainted Std.
 18 Ga. Galvannealed (Opt'l)

TYPE: Full Ht. B/P (Opt'l)

LENGTHS: 2' thru 8' in 6" increments

MAT'L: 20 Ga. Galvannealed (Opt'l)
 18 Ga. Painted (Opt'l)

AIRSEAL:

1/8" x 3/8" Closed Cell (Opt'l)

BRACKETS:

Water Brkt w/B.B.

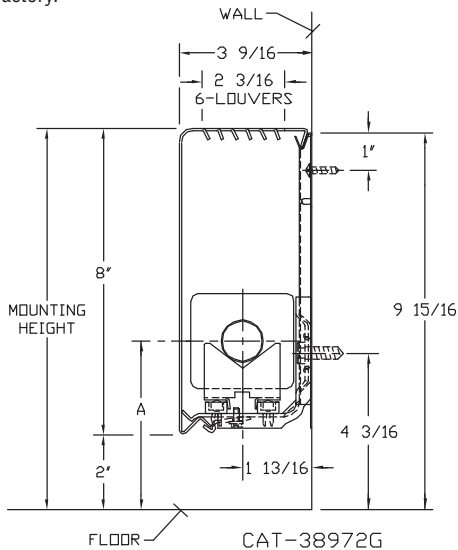
DAMPER:

Damper Blades Factory Installed
 Knob Damper (Opt'l)
 Tamper Resistant (Opt'l)

LV2-T8 (Water Brackets only)

ELEMENT TUBE SIZE	FIN HEIGHT	CRADLE NO.	A
Δ3/4" COPPER	2-1/2	1	4-5/16
Δ1" COPPER	2-1/2	1	4-1/2
3/4" COPPER	3-3/4	2	5
1" COPPER	3-3/4	2	5-3/16
1-1/4" COPPER	3-3/4	2	5-5/16
1" STEEL	3-3/4	2	5-5/16

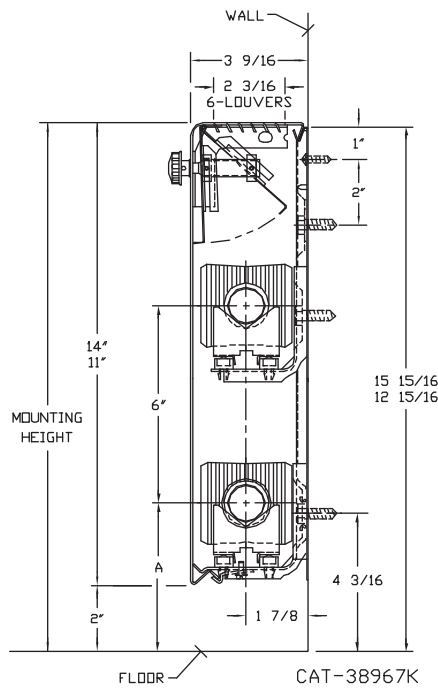
Δ Damper available with these elements only.
Not recommended for steam applications, consult factory.



LV2-T 11 & 14 (Water Brackets only)

ELEMENT TUBE SIZE	FIN HEIGHT	CRADLE NO.	A
Δ3/4" COPPER	2-1/2	1	4-5/16
Δ1" COPPER	2-1/2	1	4-1/2
Δ3/4" COPPER	3-3/4	2	5
Δ1" COPPER	3-3/4	2	5-3/16
Δ1-1/4" COPPER	3-3/4	2	5-5/16
1" COPPER	5	3A	5-1/2
1-1/4" COPPER	5	3A	5-11/16
1" STEEL	3-3/4	2	5-5/16
1-1/4" STEEL	3-3/4	2	5-1/2
1" STEEL	5	3A	5-11/16
1-1/4" STEEL	5	3A	5-15/16

Δ 2-tier with damper available with these elements only.



Vulcan

RADIATOR

260 North Elm St., Westfield, MA 01085
(413) 568-9571 Fax: (413) 564-5661

www.vulcanrad.com

03/10

PROJECT: _____ DATE: _____

LOCATION: _____

ARCHITECT: _____

ENGINEER: _____

CONTRACTOR: _____

PO NUMBER: _____

STYLE "LV2-T" SLIMLINE TOP OUTLET

STEEL ELEMENT								STEAM 215° FACTOR	HOT WATER (AVG.)					
I.P.S. SIZE	CATALOG DESIGNATION	FIN SIZE IN INCHES	FIN/FT	FIN THICKNESS	ENCL HEIGHT IN INCHES	TIERS AND CENTERS IN INCHES	MTG. HEIGHT IN INCHES		1.00	200°	190°	180°	170°	160°
1"	VR11	2-3/4 x 3-3/4	40	.024	8°	1	10	830	710	650	570	510	440	370
1"	VR15	2-3/4 x 5	50	.024	"	1	13	890	770	690	610	540	470	400
1-1/4"	VR16	2-3/4 x 5	50	.024	"	1	13	910	780	710	630	560	480	410
1"	VR11	2-3/4 x 5	40	.024	11	1	13	890	770	690	610	540	470	400
1"	VR15	2-3/4 x 5	50	.024	"	1	13	950	820	740	660	580	500	430
1-1/4"	VR16	2-3/4 x 5	50	.024	"	1	13	970	830	760	670	590	510	440
1"	VR11	2-3/4 x 3-3/4	40	.024	14	1	16	980	840	760	680	600	520	440
1"	VR15	2-3/4 x 5	50	.024	"	1	16	1040	890	810	720	630	550	470
1-1/4"	VR16	2-3/4 x 5	50	.024	"	1	16	1060	910	830	730	650	560	480
1"	VR11	2-3/4 x 3-3/4	40	.024	14	2	16	1410	1210	1100	970	860	750	630
1"	VR15	2-3/4 x 5	50	.024	"	2	16	1450	1250	1130	1000	880	770	650
1-1/4"	VR16	2-3/4 x 5	50	.024	"	2	16	1460	1260	1140	1010	890	770	660

- Notes: 1) Steel fins furnished as .024 thick painted black
 2) NPT threads furnished on steel elements. Please use domestic fittings for proper installation.
 3) The ends can be provided chamfered for field welded fittings when specified.

*Not recommended for steam applications, consult factory.

COPPER/ALUMINUM ELEMENT								STEAM 215° FACTOR	HOT WATER (AVG.)					
TUBE SIZE	CATALOG DESIGNATION	FIN SIZE IN INCHES	FIN/FT	FIN THICKNESS	ENCL HEIGHT IN INCHES	TIERS AND CENTERS IN INCHES	MTG. HEIGHT IN INCHES		1.00	200°	190°	180°	170°	160°
3/4"	VR01	2-1/4 x 2-1/2	50	.011"	8°	1	10	750	650	590	520	460	400	340
3/4"	VR02	2-3/4 x 2-1/2	60	.010"	"	1	10	900	770	700	620	550	480	410
3/4"	VR04	2-3/4 x 3-3/4	50	.014"	"	1	10	1080	930	840	750	660	570	490
1"	VR03	2-3/4 x 2-1/2	55	.011"	"	1	10	880	760	690	610	540	470	400
1"	VR05	2-3/4 x 3-3/4	50	.011"	"	1	10	1070	920	830	740	650	570	480
1"	VR07	2-3/4 x 5	50	.020"	"	1	16	1210	1040	940	830	740	640	540
1-1/4"	VR08	2-3/4 x 3-3/4	50	.020"	"	1	10	1020	880	800	700	620	540	460
1-1/4"	VR10	2-3/4 x 5	50	.020"	"	1	10	1180	1010	920	810	720	630	530
3/4"	VR01	2-1/4 x 2-1/2	50	.011"	11	1	13	810	700	630	560	490	430	360
3/4"	VR02	2-3/4 x 2-1/2	60	.010"	"	1	13	960	830	750	660	590	510	430
3/4"	VR04	2-3/4 x 3-3/4	50	.014"	"	1	13	1140	980	890	790	700	600	510
1"	VR03	2-3/4 x 2-1/2	55	.011"	"	1	13	940	810	730	650	570	500	420
1"	VR05	2-3/4 x 3-3/4	50	.011"	"	1	13	1130	970	880	780	690	600	510
1"	VR07	2-3/4 x 5	50	.020"	"	1	13	1270	1090	990	880	770	670	570
1-1/4"	VR08	2-3/4 x 3-3/4	50	.020"	"	1	13	1080	930	840	750	660	570	490
1-1/4"	VR10	2-3/4 x 5	50	.020"	"	1	13	1240	1070	970	860	760	660	560
3/4"	VR01	2-1/4 x 2-1/2	50	.011"	14	1	16	870	750	680	600	530	460	390
3/4"	VR02	2-3/4 x 2-1/2	60	.010"	"	1	16	1120	960	870	770	680	590	500
3/4"	VR04	2-3/4 x 3-3/4	50	.014"	"	1	16	1200	1030	940	830	730	640	540
1"	VR03	2-3/4 x 2-1/2	55	.011"	"	1	16	1000	860	780	690	610	530	450
1"	VR05	2-3/4 x 3-3/4	50	.011"	"	1	16	1190	1020	930	820	730	630	540
1"	VR07	2-3/4 x 5	50	.020"	"	1	16	1320	1140	1030	910	810	700	590
1-1/4"	VR08	2-3/4 x 3-3/4	50	.020"	"	1	16	1190	1020	930	820	730	630	540
1-1/4"	VR10	2-3/4 x 5	50	.020"	"	1	16	1290	1110	1010	890	790	680	580
3/4"	VR01	2-1/4 x 2-1/2	50	.011"	"	2	16	1240	1070	970	860	760	660	560
3/4"	VR02	2-3/4 x 2-1/2	60	.010"	"	2	16	1570	1350	1220	1080	960	830	710
3/4"	VR04	2-3/4 x 3-3/4	50	.014"	"	2	16	1590	1370	1240	1100	970	840	720
1"	VR03	2-3/4 x 2-1/2	55	.011"	"	2	16	1440	1240	1120	990	880	760	650
1"	VR05	2-3/4 x 3-3/4	50	.011"	"	2	16	1580	1360	1230	1090	960	840	710
1"	VR07	2-3/4 x 5	50	.020"	"	2	16	1650	1420	1290	1140	1010	870	740
1-1/4"	VR08	2-3/4 x 3-3/4	50	.020"	"	2	16	1600	1380	1250	1100	980	850	720
1-1/4"	VR10	2-3/4 x 5	50	.020"	"	2	16	1610	1380	1260	1110	980	850	720

*Not recommended for steam applications, consult factory.

Note: Copper tube furnished flared one end standard.