

# LINOVECTOR II

## Submittal

LV2-S 8, 11, 14  
Slope Top Enclosures  
Copper/Aluminum &  
Steel Element Ratings

# Specification

### LV2 Slip Jointed Enclosure

#### ENCLOSURE:

- STYLE: Slope Outlet  
OUTLET: Stamped Louvers  
Pencil Proof
- LENGTHS: 2' thru 8' in 6" Increments  
MAT'L:  18 Ga. CRS STD.  
 16 Ga. CRS (Opt'l)  
 14 Ga. CRS (Opt'l)
- FINISH:  Prime Finish Std.  
 Baked Enamel (Opt'l).  
 16 Ga. Stainless Steel (Opt'l)  
 14 Ga. Aluminum (Opt'l)

#### ACCESSORIES:

- Overlapping Type  
All accessories return to the wall at the bottom and have pre-punched holes for fastening to the wall.

#### ELEMENT:

- TYPE:  Cu/Al (Mechanically Expanded)
- LENGTHS: 2'0" thru 12'6" in 1" Increments for 1" & 1-1/4" Cu.  
2' thru 8' in 1" Increments for 3/4" Cu.
- One End Flared, Std.
- TYPE:  IPS Steel (Mechanically Expanded)
- LENGTHS: 2'0" thru 12'6" in 1" Increments  
 NPT Thread both Ends Std.  
 Beveled Ends for Field Weld  
See Catalog for Working Pressures

#### BACKPLATE:

- TYPE:  Partial B/P  
LENGTHS: 8' Only  
MAT'L:  20 Ga. Prepainted Std.  
 18 Ga. Galvannealed (Opt'l)
- TYPE:  Full Ht. B/P (Opt'l)  
LENGTHS: 2' thru 8' in 6" increments  
MAT'L:  20 Ga. Galvannealed (Opt'l)  
 18 Ga. Painted (Opt'l)

#### AIRSEAL:

- 1/8" x 3/8" Closed Cell (Opt'l)

#### BRACKETS:

- Water Brkt w/B.B.  
 Wall Mtd Hngr for 2nd Tier Element

#### DAMPER:

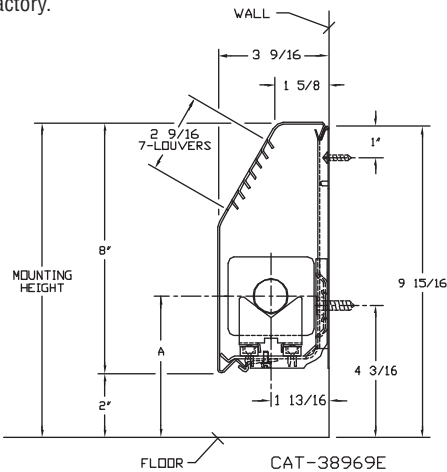
- Damper Blades Factory Installed  
 Knob Damper (Opt'l)  
 Tamper Resistant (Opt'l)

### LV2-S8 (Water Brackets only)

ELEMENT TUBE SIZE	FIN HEIGHT	CRADLE NO.	A
Δ3/4" COPPER	2-1/2	1	4-5/16
Δ1" COPPER	2-1/2	1	4-1/2
3/4" COPPER	3-3/4	2	5
1" COPPER	3-3/4	2	5-3/16
1-1/4" COPPER	3-3/4	2	5-5/16
1" STEEL	3-3/4	2	5-5/16

Δ Damper available with these elements only.

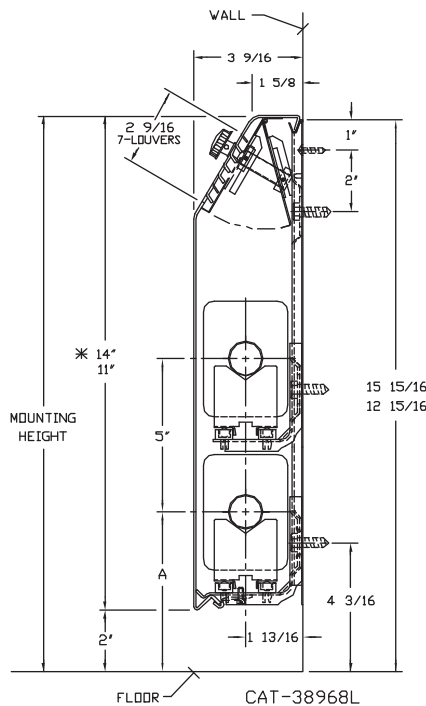
Not recommended for steam applications, consult factory.



### LV2-S11 14 (Water Brackets only)

ELEMENT TUBE SIZE	FIN HEIGHT	CRADLE NO.	A
Δ3/4" COPPER	2-1/2	1	4-5/16
Δ1" COPPER	2-1/2	1	4-1/2
Δ3/4" COPPER	3-3/4	2	5
Δ1" COPPER	3-3/4	2	5-3/16
Δ1-1/4" COPPER	3-3/4	2	5-5/16
1" COPPER	5	3A	5-1/2
1-1/4" COPPER	5	3A	5-11/16
1" STEEL	3-3/4	2	5-5/16
1-1/4" STEEL	3-3/4	2	5-1/2
1" STEEL	5	3A	5-11/16
1-1/4" STEEL	5	3A	5-15/16

Δ 2-tier with damper available with these elements only.



# Vulcan

RADIATOR

260 North Elm St., Westfield, MA 01085  
(413) 568-9571 Fax: (413) 564-5661  
www.vulcanrad.com

PROJECT: \_\_\_\_\_ DATE: \_\_\_\_\_

LOCATION: \_\_\_\_\_

ARCHITECT: \_\_\_\_\_

ENGINEER: \_\_\_\_\_

CONTRACTOR: \_\_\_\_\_

PO NUMBER: \_\_\_\_\_

# STYLE "LV2-S 8, 11, 14"

STEEL ELEMENT								STEAM 215° FACTOR	HOT WATER (AVG.)					
I.P.S. SIZE	CATALOG DESIGNATION	FIN SIZE IN INCHES	FIN/FT	FIN THICKNESS	ENCL HEIGHT IN INCHES	TIERS AND CENTERS IN INCHES	MTG. HEIGHT IN INCHES		FACTOR					
								1.00	0.86	0.78	0.69	0.61	0.53	0.45
1"	VR11	2-3/4 x 3-3/4	40	.024	8°	1	10	920	790	720	630	560	490	410
1"	VR11	2-3/4 x 5	40	.024	11	1	13	1020	880	800	700	620	540	460
1"	VR15	2-3/4 x 5	50	.024	"	1	13	1170	1010	910	810	710	620	530
1-1/4"	VR16	2-3/4 x 5	50	.024	"	1	13	1190	1020	930	820	730	630	540
1"	VR11	2-3/4 x 3-3/4	40	.024	14	1	16	1100	950	860	760	670	580	500
1"	VR15	2-3/4 x 5	50	.024	"	1	16	1170	1010	910	810	710	620	530
1-1/4"	VR16	2-3/4 x 5	50	.024	"	1	16	1190	1020	930	820	730	630	540
1"	VR11	2-3/4 x 3-3/4	40	.024	14	2	16	1520	1310	1190	1050	930	810	680

- Notes: 1) Steel fins furnished as .024 thick painted black  
 2) NPT threads furnished on steel elements. Please use domestic fittings for proper installation.  
 3) The ends can be provided chamfered for field welded fittings when specified.

COPPER/ALUMINUM ELEMENT								STEAM 215° FACTOR	HOT WATER (AVG.)					
TUBE SIZE	CATALOG DESIGNATION	FIN SIZE IN INCHES	FIN/FT	FIN THICKNESS	ENCL HEIGHT IN INCHES	TIERS AND CENTERS IN INCHES	MTG. HEIGHT IN INCHES		FACTOR					
								1.00	0.86	0.78	0.69	0.61	0.53	0.45
3/4"	VR01	2-1/4 x 2-1/2	50	.011"	8°	1	10	820	710	640	570	500	430	370
3/4"	VR02	2-3/4 x 2-1/2	<b>60</b>	.010"	"	<i>1</i>	<i>10</i>	950	820	740	660	580	500	430
3/4"	VR04	2-3/4 x 3-3/4	50	.014"	"	1	10	1010	870	790	700	620	540	450
1"	VR03	2-3/4 x 2-1/2	55	.011"	"	1	10	980	840	760	680	600	520	440
1"	VR05	2-3/4 x 3-3/4	50	.011"	"	1	10	1020	880	800	700	620	540	460
1-1/4"	VR08	2-3/4 x 3-3/4	50	.020"	"	1	10	1040	890	810	720	630	550	470
3/4"	VR01	2-1/4 x 2-1/2	50	.011"	11	1	13	890	770	690	610	540	470	400
3/4"	VR02	2-3/4 x 2-1/2	60	.010"	"	1	13	1080	930	840	750	660	570	490
3/4"	VR04	2-3/4 x 3-3/4	50	.014"	"	1	13	1110	950	870	770	680	590	500
1"	VR03	2-3/4 x 2-1/2	<b>55</b>	.011"	"	<i>1</i>	<i>13</i>	1050	900	820	720	640	560	470
1"	VR05	2-3/4 x 3-3/4	50	.011"	"	1	13	1120	960	870	770	680	590	500
1"	VR07	2-3/4 x 5	<b>50</b>	.020"	"	<i>1</i>	<i>13</i>	1220	1050	950	840	740	650	550
1-1/4"	VR08	2-3/4 x 3-3/4	50	.020"	"	1	13	1140	980	890	790	700	600	510
1-1/4"	VR10	2-3/4 x 5	50	.020"	"	1	13	1190	1020	930	820	730	630	540
3/4"	VR01	2-1/4 x 2-1/2	50	.011"	14	1	16	960	830	750	660	590	510	430
3/4"	VR02	2-3/4 x 2-1/2	60	.010"	"	1	16	1150	990	900	790	700	610	520
3/4"	VR04	2-3/4 x 3-3/4	50	.014"	"	1	16	1200	1030	940	830	730	640	540
1"	VR03	2-3/4 x 2-1/2	55	.011"	"	1	16	1180	1010	920	810	720	630	530
1"	VR05	2-3/4 x 3-3/4	50	.011"	"	1	16	1220	1050	950	840	740	650	550
1"	VR07	2-3/4 x 5	50	.020"	"	1	16	1290	1110	1010	890	790	680	580
1-1/4"	VR08	2-3/4 x 3-3/4	50	.020"	"	1	16	1200	1030	940	830	730	640	540
1-1/4"	VR10	2-3/4 x 5	50	.020"	"	1	16	1260	1080	980	870	770	670	570
3/4"	VR01	2-1/4 x 2-1/2	50	.011"	"	2	16	1300	1120	1010	900	790	690	590
3/4"	VR02	2-3/4 x 2-1/2	60	.010"	"	2	16	1650	1420	1290	1140	1010	870	740
3/4"	VR04	2-3/4 x 3-3/4	50	.014"	"	2	16	1680	1440	1310	1160	1020	890	760
1	VR03	2-3/4 x 2-1/2	55	.011"	"	2	16	1660	1430	1290	1150	1010	880	750
1	VR05	2-3/4 x 3-3/4	50	.011"	"	2	16	1670	1440	1300	1150	1020	890	750
1-1/4"	VR08	2-3/4 x 3-3/4	50	.020"	"	2	16	1600	1380	1250	1100	980	850	720

\*Not recommended for steam applications, consult factory.  
 Note: Copper tube furnished flared one end standard.