

LINOVECTOR II

Submittal

LV2-R 8, 11, 14
Flat Top Enclosures
Copper/Aluminum Ratings
Steel Ratings

Specification

LV2 Slip Jointed Enclosure

ENCLOSURE:

- STYLE: Flat Top Rounded Outlet
 OUTLET: Stamped Louvers
 Pencil Proof
 LENGTHS: 2' thru 8' in 6" Increments
 MAT'L: 16 Ga. CRS STD.
 FINISH: Prime Finish Std.
 Baked Enamel (Opt'l).
 14 Ga. Aluminum (Opt'l)

ACCESSORIES:

- Overlapping Type
 All accessories return to the wall at the bottom and have pre-punched holes for fastening to the wall.

ELEMENT:

- TYPE: Cu/Al (Mechanically Expanded)
 LENGTHS: 2'0" thru 12'6" in 1" Increments for 1" & 1-1/4" Cu.
 2' thru 8' in 1" Increments for 3/4" Cu.
 One End Flared, Std.

- TYPE: IPS Steel (Mechanically Expanded)
 LENGTHS: 2'0" thru 12'6" in 1" Increments
 NPT Thread both Ends Std.
 Beveled Ends for Field Weld
 See Catalog for Working Pressures

BACKPLATE:

- TYPE: Partial B/P
 LENGTHS: 8' Only
 MAT'L: 20 Ga. Prepainted Std.
 18 Ga. Galvannealed (Opt'l)
 TYPE: Full Ht. B/P (Opt'l)
 LENGTHS: 2' thru 8' in 6" increments
 MAT'L: 20 Ga. Galvannealed (Opt'l)
 18 Ga. Painted (Opt'l)

AIRSEAL:

- 1/8" x 3/8" Closed Cell (Opt'l)

BRACKETS:

- Water Brkt w/B.B.

DAMPER:

- Damper Blade Factory Installed
 Knob Damper (Opt'l)
 Tamper Resistant (Opt'l)

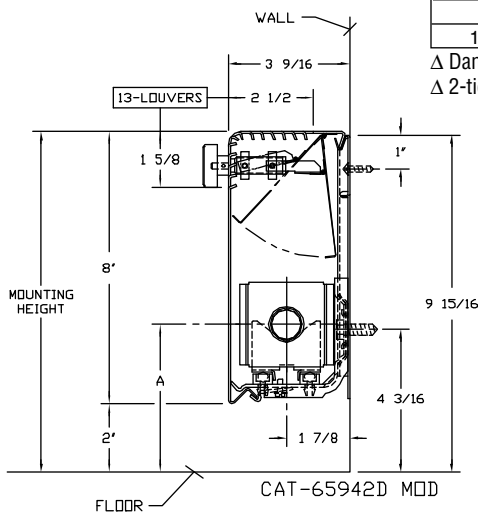
(Water Brackets only)

ELEMENT TUBE SIZE	FIN HEIGHT	CRADLE NO.	A
Δ3/4" COPPER	2-1/2	1	4-5/16
Δ1" COPPER	2-1/2	1	4-1/2
3/4" COPPER	3-3/4	2	5
1" COPPER	3-3/4	2	5-3/16
1-1/4" COPPER	3-3/4	2	5-5/16
1" COPPER	5	3A	5-1/2
1-1/4" COPPER	5	3A	5-11/16
1" STEEL	3-3/4	2	5-5/16
1-1/4" STEEL	3-3/4	2	5-1/2
1" STEEL	5	3A	5-11/16
1-1/4" STEEL	5	3A	5-15/16

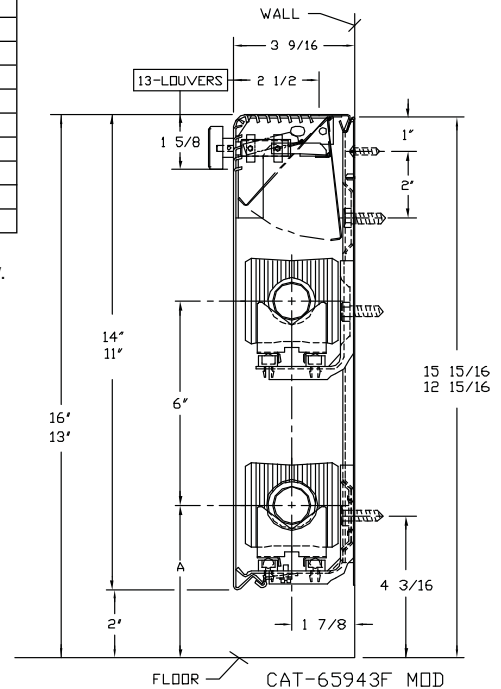
Δ Damper available with these elements only.
 Δ 2-tier with damper available with these elements only.

Not recommended for steam applications, consult factory.

LV2-R8



LV2-R11 14



260 North Elm St., Westfield, MA 01085
 (413) 568-9571 Fax: (413) 564-5661

07/2014

www.vulcanrad.com

PROJECT: _____ DATE: _____
 LOCATION: _____
 ARCHITECT: _____
 ENGINEER: _____
 CONTRACTOR: _____
 PO NUMBER: _____

STYLE "LV2-R 8, 11, 14"

STEEL ELEMENT†								STEAM 215° FACTOR	HOT WATER (AVG.)					
I.P.S. SIZE	CATALOG DESIGNATION	FIN SIZE IN INCHES	FIN/FT	FIN THICKNESS	ENCL HEIGHT IN INCHES	TIERS AND CENTERS IN INCHES	MTG. HEIGHT IN INCHES		1.00	0.86	0.78	0.69	0.61	0.53
1"	VR15	2-3/4 x 5	50	.024"	8	1		1240	1070	970	860	760	660	560
1-1/4"	VR16	2-3/4 x 5	50	.024"	"	1		1200	1030	940	830	730	640	540
1"	VR15	2-3/4 x 5	50	.024"	11	1		1360	1170	1060	940	830	720	610
1-1/4"	VR16	2-3/4 x 5	50	.024"	"	1		1380	1190	1080	950	840	730	620
1"	VR15	2-3/4 x 5	50	.024"	14	1		1410	1210	1100	970	860	750	630

†NOTES: 1. Steel fin furnished as .032 unless otherwise specified, consult factory.
2. NPT threads furnished on steel elements. Please use domestic fittings for proper installation.

COPPER/ALUMINUM ELEMENT								STEAM 215° FACTOR	HOT WATER (AVG.)					
TUBE SIZE	CATALOG DESIGNATION	FIN SIZE IN INCHES	FIN/FT	FIN THICKNESS	ENCL HEIGHT IN INCHES	TIERS AND CENTERS IN INCHES	MTG. HEIGHT IN INCHES		1.00	0.86	0.78	0.69	0.61	0.53
3/4"	VR01	2-1/4 x 2-1/2	50	.011"	8"	1	10	830	710	650	570	510	440	370
3/4"	VR02	2-3/4 x 2-1/2	60	.010"	"	1	10	990	850	770	680	600	520	450
3/4"	VR04	2-3/4 x 3-3/4	50	.014"	"	1	10	1190	1020	930	820	730	630	540
1"	VR03	2-3/4 x 2-1/2	55	.011"	"	1	10	970	830	760	670	590	510	440
1"	VR05	2-3/4 x 3-3/4	50	.011"	"	1	10	1180	1010	920	810	720	630	530
1"	VR07	2-3/4 x 5	50	.020"	"	1	10	1330	1140	1040	920	810	700	600
1-1/4"	VR08	2-3/4 x 3-3/4	50	.020"	"	1	10	1120	960	870	770	680	590	500
1-1/4"	VR10	2-3/4 x 5	50	.020"	8	1	10	1300	1120	1010	900	790	690	590
3/4"	VR01	2-1/4 x 2-1/2	50	.010"	11	1	13	890	770	690	610	540	470	400
3/4"	VR02	2-3/4 x 2-1/2	60	.014"	"	1	13	1060	910	830	730	650	560	480
3/4"	VR04	2-3/4 x 3-3/4	50	.011"	"	1	13	1250	1080	980	860	760	660	560
1"	VR03	2-3/4 x 2-1/2	55	.011"	"	1	13	1030	890	800	710	630	550	460
1"	VR05	2-3/4 x 3-3/4	50	.011"	"	1	13	1240	1070	970	860	760	660	560
1"	VR07	2-3/4 x 5	50	.020"	"	1	13	1400	1200	1090	970	850	740	630
1-1/4"	VR08	2-3/4 x 3-3/4	50	.020"	"	1	13	1190	1020	930	820	730	630	540
1-1/4"	VR10	2-3/4 x 5	50	.020"	11	1	13	1360	1170	1060	940	830	720	610
3/4"	VR01	2-1/4 x 2-1/2	50	.011"	14	1	16	960	830	750	660	590	510	430
3/4"	VR02	2-3/4 x 2-1/2	60	.010"	"	1	16	1230	1060	960	850	750	650	550
3/4"	VR04	2-3/4 x 3-3/4	50	.014"	"	1	16	1320	1140	1030	910	810	700	590
1"	VR03	2-3/4 x 2-1/2	55	.011"	"	1	16	1100	950	860	760	670	580	500
1"	VR05	2-3/4 x 3-3/4	50	.011"	"	1	16	1310	1130	1020	900	800	690	590
1"	VR07	2-3/4 x 5	50	.020"	"	1	16	1450	1250	1130	1000	880	770	650
1-1/4"	VR08	2-3/4 x 3-3/4	50	.020"	"	1	16	1310	1130	1020	900	800	690	590
1-1/4"	VR10	2-3/4 x 5	50	.020"	"	1	16	1420	1220	1110	980	870	750	640
3/4"	VR01	2-1/4 x 2-1/2	50	.011"	"	2	16	1360	1170	1060	940	830	720	610
3/4"	VR02	2-3/4 x 2-1/2	60	.010"	"	2	16	1730	1490	1350	1190	1060	920	780
3/4"	VR04	2-3/4 x 3-3/4	50	.014"	"	2	16	1750	1510	1370	1210	1070	930	790
1"	VR03	2-3/4 x 2-1/2	55	.011"	"	2	16	1580	1360	1230	1090	960	840	710
1"	VR05	2-3/4 x 3-3/4	50	.011"	"	2	16	1740	1500	1360	1200	1060	920	780
1"	VR07	2-3/4 x 5	50	.020"	"	2	16	1820	1570	1420	1260	1110	960	820
1-1/4"	VR08	2-3/4 x 3-3/4	50	.020"	"	2	16	1760	1510	1370	1210	1070	930	790
1-1/4"	VR10	2-3/4 x 5	50	.020"	14	2	16	1770	1520	1380	1220	1080	940	800

*Not recommended for steam applications, consult factory.
Note: Copper tube furnished flared one end standard.