

LV4 Slip Jointed Enclosure

Specification

ENCLOSURE:

- STYLE: Slope Outlet
 OUTLET: Stamped Louvers
 Pencil Proof
 LENGTHS: 2' thru 8' in 6" Increments
 MAT'L: 18 Ga. CRS (Standard)
 N/A 30" & 36"
 16 Ga. CRS (Opt'l)
 14 Ga. CRS (Opt'l)
 FINISH: Prime Finish (Standard)
 Baked Enamel (Opt'l)
 18 Ga. Stainless Steel (Opt'l)
 N/A 30" & 36"
 16 Ga. Stainless Steel (Opt'l)
 14 Ga. Stainless Steel (Opt'l)
 14 Ga. Aluminum (Opt'l)
 12 Ga. Aluminum (Opt'l)

ELEMENT:

- TYPE: Cu/Al (Mechanically Expanded)
 LENGTHS: 2' thru 8' in 1" Increments for 3/4" Cu.
 One End Flared (Standard)
 See catalog for working pressure

DAMPER:

- Damper Blades Factory Installed
 Knob Damper (Opt'l)
 Tamper Resistant (Opt'l)

BACKPLATE:

- TYPE: Partial B/P
 LENGTHS: 8' Only
 MAT'L: 20 Ga. Prepainted (Standard)
 18 Ga. Galvannealed (Opt'l)
 Full Height B/P (Opt'l)
 2' thru 8' in 6" increments
 20 Ga. Galvannealed (Opt'l)
 18 Ga. Painted (Opt'l)

AIRSEAL:

- 1/8" x 3/8" Closed Cell (Opt'l)

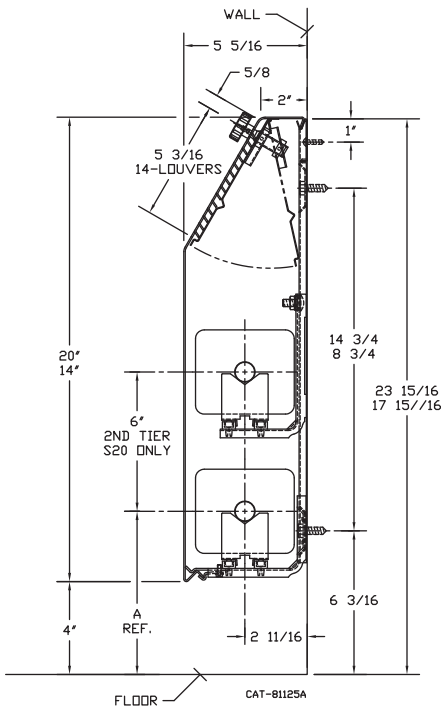
BRACKETS:

- Water Bracket (with Stand-Off)
 Stand-Off not required with 14", 20" & 24"
 B.B. Hanger, Bracket Mtd
 B.B. Hanger, Wall Mtd
 Wall Mtd B.B. Hanger required for 3rd Tier Element

ACCESSORIES:

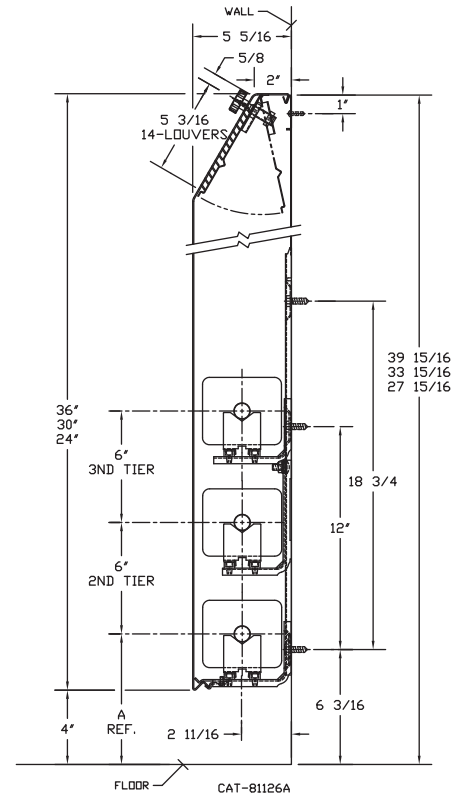
LV Overlapping Type
 All accessories return to the wall at the bottom and have pre-punched holes for fastening to the wall.

ELEMENT TUBE SIZE	ELEMENT FIN SIZE	CRADLE	A
3/4" COPPER	4-1/4 x 3-5/8	2	7
3/4" COPPER	4-1/4 x 4-1/4	3A	7-3/8
1" COPPER	4-1/4 x 3-5/8	2	7-3/16
	4-1/4 x 4-1/4		
1-1/4" COPPER	4-1/4 x 3-5/8	2	7-5/16
	4-1/4 x 4-1/4		
1" STEEL	4-1/4 x 4-1/4	2	7-5/16
1-1/4" STEEL	4-1/4 x 4-1/4	2	7-1/2
2" STEEL	4-1/4 x 4-1/4	1	7-1/4



- LV4-S 14
 LV4-S 20

- LV4-S 24
 LV4-S 30
 LV4-S 36



260 North Elm St., Westfield, MA 01085
 (413) 568-9571 Fax: (413) 564-5661
 www.vulcanrad.com



PROJECT: _____ DATE: _____
 LOCATION: _____
 ARCHITECT: _____
 ENGINEER: _____
 CONTRACTOR: _____
 PO NUMBER: _____

LV4 S Style "S" Slope Top Enclosures

Copper/Aluminum Elements

ALL RATINGS ARE BASED ON 3 FPS VELOCITY

TUBE SIZE	CATALOG DESIGNATION	FIN SIZE WIDTH x HEIGHT	FIN PER FT.	FIN THICKNESS	ENCL DEPTH AND HEIGHT IN INCHES	TIERS AND CENTERS IN INCHES	MTG. HEIGHT IN INCHES	STEAM 215°F FACTOR 1.00	HOT WATER RATINGS IN Btu's/Ft/Hr				
									140°F	130°F	120°F	110°F	100°F
									CORRECTION FACTORS FOR AVERAGE WATER TEMPERATURE				
									.40	.33	.26	.20	.15
3/4"	VC3/4-433	4-1/4" x 3-5/8"	32	.020"	14B	1	18"	1520	610	500	400	300	230
					20B	1	24"	1600	640	530	420	320	240
					"	2-6 CL	"	2480	990	820	640	500	370
					24B	1	28"	1670	670	550	430	330	250
					"	2-6 CL	"	2570	1030	850	670	510	390
					"	3-6 CL	"	2920	1170	960	760	580	440
					30B	1	34"	1750	700	580	460	350	260
					"	2-6 CL	"	2680	1070	880	700	540	400
					"	3-6 CL	"	3040	1220	1000	790	610	460
					36B	1	40"	1830	730	600	480	370	270
"	2-6 CL	"	2790	1120	920	730	560	420					
"	3-6 CL	"	3160	1260	1040	820	630	470					
3/4"	VC3/4-434	4-1/4" x 3-5/8"	40	.020"	14B	1	18"	1700	680	560	440	340	260
					20B	1	24"	1820	730	600	470	360	270
					"	2-6 CL	"	2580	1030	850	670	520	390
					24B	1	28"	1910	760	630	500	380	290
					"	2-6 CL	"	2700	1080	890	700	540	410
					"	3-6 CL	"	3120	1250	1030	810	620	470
					30B	1	34"	2000	800	660	520	400	300
					"	2-6 CL	"	2830	1130	930	740	570	420
					"	3-6 CL	"	3250	1300	1070	850	650	490
					36B	1	40"	2090	840	690	540	420	310
"	2-6 CL	"	2890	1160	950	750	580	430					
"	3-6 CL	"	3340	1340	1100	870	670	500					
3/4"	VC3/4-435	4-1/4" x 3-5/8"	50	.020"	14B	1	18"	1840	740	610	480	370	280
					20B	1	24"	2090	840	690	540	420	310
					"	2-6 CL	"	2820	1130	930	730	560	420
					24B	1	28"	2260	900	750	590	450	340
					"	2-6 CL	"	3110	1240	1030	810	620	470
					"	3-6 CL	"	3550	1420	1170	920	710	530
					30B	1	34"	2510	1000	830	650	500	380
					"	2-6 CL	"	3330	1330	1100	870	670	500
					"	3-6 CL	"	3750	1500	1240	980	750	560
					36B	1	40"	2760	1100	910	720	550	410
"	2-6 CL	"	3580	1430	1180	930	720	540					
"	3-6 CL	"	3980	1590	1310	1030	800	600					
3/4"	VC3/4-43	4-1/4" SQ.	32	.020"	14B	1	18"	1630	650	540	420	330	240
					20B	1	24"	1720	690	570	450	340	260
					"	2-6 CL	"	2630	1050	870	680	530	390
					24B	1	28"	1790	720	590	470	360	270
					"	2-6 CL	"	2810	1120	930	730	560	420
					"	3-6 CL	"	3260	1300	1080	850	650	490
					30B	1	34"	1860	740	610	480	370	280
					"	2-6 CL	"	2920	1170	960	760	580	440
					"	3-6 CL	"	3350	1340	1110	870	670	500
					36B	1	40"	1930	770	640	500	390	290
"	2-6 CL	"	3030	1210	1000	790	610	450					
"	3-6 CL	"	3330	1330	1100	870	670	500					
3/4"	VC3/4-44	4-1/4" SQ.	40	.020"	14B	1	18"	1860	740	610	480	370	280
					20B	1	24"	2020	810	670	530	400	300
					"	2-6 CL	"	2670	1070	880	690	530	400
					24B	1	28"	2140	860	710	560	430	320
					"	2-6 CL	"	2930	1170	970	760	590	440
					"	3-6 CL	"	3200	1280	1060	830	640	480
					30B	1	34"	2300	920	760	600	460	350
					"	2-6 CL	"	3150	1260	1040	820	630	470
					"	3-6 CL	"	3570	1430	1180	930	710	540
					36B	1	40"	2460	980	810	640	490	370
"	2-6 CL	"	3290	1320	1090	860	660	490					
"	3-6 CL	"	3730	1490	1230	970	750	560					
3/4"	VC3/4-45	4-1/4" SQ.	50	.020"	14B	1	18"	2040	820	670	530	410	310
					20B	1	24"	2320	930	770	600	460	350
					"	2-6 CL	"	3070	1230	1010	800	610	460
					24B	1	28"	2470	990	820	640	490	370
					"	2-6 CL	"	3270	1310	1080	850	650	490
					"	3-6 CL	"	3680	1470	1210	960	740	550
					30B	1	34"	2730	1090	900	710	550	410
					"	2-6 CL	"	3540	1420	1170	920	710	530
					"	3-6 CL	"	3950	1580	1300	1030	790	590
					36B	1	40"	2990	1200	990	780	600	450
"	2-6 CL	"	3790	1520	1250	990	760	570					
"	3-6 CL	"	4180	1670	1380	1090	840	630					