

LV4 Slip Jointed Enclosure

Specification

ENCLOSURE:

- STYLE: Front Outlet
 OUTLET: Stamped Louvers
 Pencil Proof
 LENGTHS: 2' thru 8' in 6" Increments
 MAT'L: 16 Ga. CRS (Standard)
 14 Ga. CRS (Opt'l)
 FINISH: Prime Finish (Standard)
 Baked Enamel (Opt'l)
 16 Ga. Stainless Steel (Opt'l)
 14 Ga. Stainless Steel (Opt'l)
 14 Ga. Aluminum (Opt'l)
 12 Ga. Aluminum (Opt'l)

ACCESSORIES:

- LV Overlapping Type
 All accessories return to the wall at the bottom and have pre-punched holes for fastening to the wall.

ELEMENT:

- TYPE: Cu/Al (Mechanically Expanded)
 LENGTHS: 2' thru 8' in 1" Increments for 3/4" Cu.
 One End Flared (Standard)
 See catalog for working pressure

DAMPER:

- Damper Blades Factory Installed
 Knob Damper (Opt'l)
 Tamper Resistant (Opt'l)

BACKPLATE:

- TYPE: Partial B/P
 LENGTHS: 8' Only
 MAT'L: 20 Ga. Prepainted (Standard)
 18 Ga. Galvannealed (Opt'l)
 Full Height B/P (Opt'l)
 2' thru 8' in 6" increments
 20 Ga. Galvannealed (Opt'l)
 18 Ga. Painted (Opt'l)

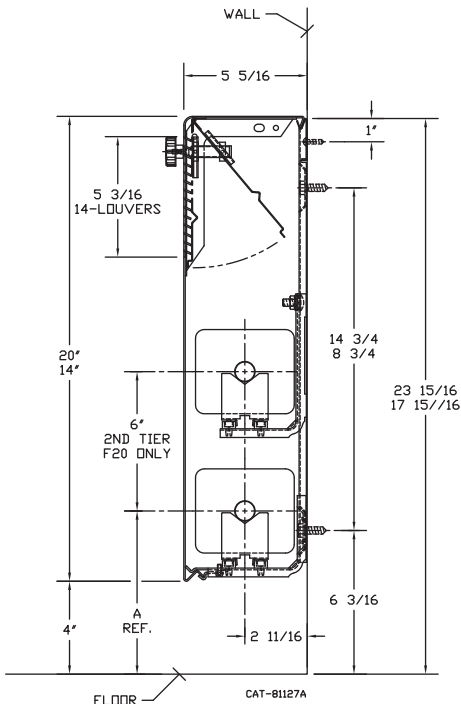
AIRSEAL:

- 1/8" x 3/8" Closed Cell (Opt'l)

BRACKETS:

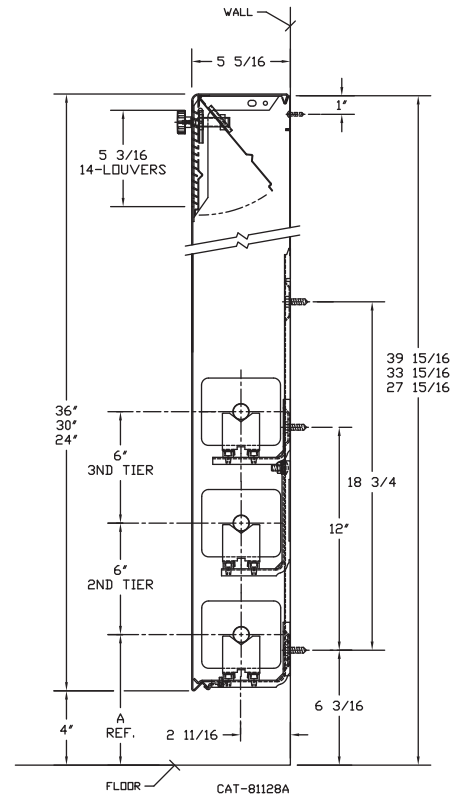
- Water Bracket (with Stand-Off)
 Stand-Off not required with 14", 20" & 24"
 B.B. Hanger, Bracket Mtd
 B.B. Hanger, Wall Mtd
 Wall Mtd B.B. Hanger required for 3rd Tier Element

| ELEMENT TUBE SIZE | ELEMENT FIN SIZE | CRADLE | A |
|-------------------|------------------|--------|--------|
| 3/4" COPPER | 4-1/4 x 3-5/8 | 2 | 7 |
| 3/4" COPPER | 4-1/4 x 4-1/4 | 3A | 7-3/8 |
| 1" COPPER | 4-1/4 x 3-5/8 | 2 | 7-3/16 |
| | 4-1/4 x 4-1/4 | | |
| 1-1/4" COPPER | 4-1/4 x 3-5/8 | 2 | 7-5/16 |
| | 4-1/4 x 4-1/4 | | |
| 1" STEEL | 4-1/4 x 4-1/4 | 2 | 7-5/16 |
| 1-1/4" STEEL | 4-1/4 x 4-1/4 | 2 | 7-1/2 |
| 2" STEEL | 4-1/4 x 4-1/4 | 1 | 7-1/4 |



- LV4-F 14
 LV4-F 20

- LV4-F 24
 LV4-F 30
 LV4-F 36



260 North Elm St., Westfield, MA 01085
 (413) 568-9571 Fax: (413) 564-5661
 www.vulcanrad.com



PROJECT: _____ DATE: _____
 LOCATION: _____
 ARCHITECT: _____
 ENGINEER: _____
 CONTRACTOR: _____
 PO NUMBER: _____

LV4-F Style "F" Front Outlet

Copper/Aluminum Elements

ALL RATINGS ARE BASED ON 3 FPS VELOCITY

| TUBE SIZE | CATALOG DESIGNATION | FIN SIZE WIDTH x HEIGHT | FIN PER FT. | FIN THICKNESS | ENCL DEPTH AND HEIGHT IN INCHES | TIERS AND CENTERS IN INCHES | MTG. HEIGHT IN INCHES | STEAM 215°F FACTOR 1.00 | HOT WATER RATINGS IN Btu's/Ft/Hr | | | | |
|-----------|---------------------|----------------------------|-------------|---------------|------------------------------------|--------------------------------|--------------------------|-------------------------------|--|-------|-------|-------|-------|
| | | | | | | | | | 140°F | 130°F | 120°F | 110°F | 100°F |
| | | | | | | | | | CORRECTION FACTORS FOR AVERAGE WATER TEMPERATURE | | | | |
| | | | | | | | | | .40 | .33 | .26 | .20 | .15 |
| 3/4" | VC3/4-433 | 4-1/4" x 3-5/8" | 32 | .020" | 14B | 1 | 18" | 1460 | 580 | 480 | 380 | 290 | 220 |
| | | | | | 20B | 1 | 24" | 1570 | 630 | 520 | 410 | 310 | 240 |
| | | | | | " | 2-6 CL | " | 2390 | 960 | 790 | 620 | 480 | 360 |
| | | | | | 24B | 1 | 28" | 1620 | 650 | 530 | 420 | 320 | 240 |
| | | | | | " | 2-6 CL | " | 2410 | 960 | 800 | 630 | 480 | 360 |
| | | | | | " | 3-6 CL | " | 2810 | 1120 | 930 | 730 | 560 | 420 |
| | | | | | 30B | 1 | 34" | 1710 | 680 | 560 | 440 | 340 | 260 |
| | | | | | " | 2-6 CL | " | 2470 | 990 | 820 | 640 | 490 | 370 |
| | | | | | " | 3-6 CL | " | 2870 | 1150 | 950 | 750 | 570 | 430 |
| | | | | | " | 36B | 1 | 40" | 1800 | 720 | 590 | 470 | 360 |
| " | " | 2-6 CL | " | 2530 | 1010 | 830 | 660 | 510 | 380 | | | | |
| " | " | 3-6 CL | " | 2920 | 1170 | 960 | 760 | 580 | 440 | | | | |
| 3/4" | VC3/4-434 | 4-1/4" x 3-5/8" | 40 | .020" | 14B | 1 | 18" | 1680 | 670 | 550 | 440 | 340 | 250 |
| | | | | | 20B | 1 | 24" | 1790 | 720 | 590 | 470 | 360 | 270 |
| | | | | | " | 2-6 CL | " | 2560 | 1020 | 840 | 670 | 510 | 380 |
| | | | | | 24B | 1 | 28" | 1870 | 750 | 620 | 490 | 370 | 280 |
| | | | | | " | 2-6 CL | " | 2670 | 1070 | 880 | 690 | 530 | 400 |
| | | | | | " | 3-6 CL | " | 3060 | 1220 | 1010 | 800 | 610 | 460 |
| | | | | | 30B | 1 | 34" | 2140 | 860 | 710 | 560 | 430 | 320 |
| | | | | | " | 2-6 CL | " | 2920 | 1170 | 960 | 760 | 580 | 440 |
| | | | | | " | 3-6 CL | " | 3280 | 1310 | 1080 | 850 | 660 | 490 |
| | | | | | " | 36B | 1 | 40" | 2410 | 960 | 800 | 630 | 480 |
| " | " | 2-6 CL | " | 3170 | 1270 | 1050 | 820 | 630 | 480 | | | | |
| " | " | 3-6 CL | " | 3530 | 1410 | 1160 | 920 | 710 | 530 | | | | |
| 3/4" | VC3/4-435 | 4-1/4" x 3-5/8" | 50 | .020" | 14B | 1 | 18" | 1820 | 730 | 600 | 470 | 360 | 270 |
| | | | | | 20B | 1 | 24" | 2080 | 830 | 690 | 540 | 420 | 310 |
| | | | | | " | 2-6 CL | " | 2780 | 1110 | 920 | 720 | 560 | 420 |
| | | | | | 24B | 1 | 28" | 2230 | 890 | 740 | 580 | 450 | 330 |
| | | | | | " | 2-6 CL | " | 2940 | 1180 | 970 | 760 | 590 | 440 |
| | | | | | " | 3-6 CL | " | 3390 | 1360 | 1120 | 880 | 680 | 510 |
| | | | | | 30B | 1 | 34" | 2470 | 990 | 820 | 640 | 490 | 370 |
| | | | | | " | 2-6 CL | " | 3150 | 1260 | 1040 | 820 | 630 | 470 |
| | | | | | " | 3-6 CL | " | 3580 | 1430 | 1180 | 930 | 720 | 540 |
| | | | | | " | 36B | 1 | 40" | 2690 | 1080 | 890 | 700 | 540 |
| " | " | 2-6 CL | " | 3320 | 1330 | 1100 | 860 | 660 | 500 | | | | |
| " | " | 3-6 CL | " | 3740 | 1500 | 1230 | 970 | 750 | 560 | | | | |
| 3/4" | VC3/4-43 | 4-1/4" SQ. | 32 | .020" | 14B | 1 | 18" | 1630 | 650 | 540 | 420 | 330 | 240 |
| | | | | | 20B | 1 | 24" | 1680 | 670 | 550 | 440 | 340 | 250 |
| | | | | | " | 2-6 CL | " | 2590 | 1040 | 850 | 670 | 520 | 390 |
| | | | | | 24B | 1 | 28" | 1720 | 690 | 570 | 450 | 340 | 260 |
| | | | | | " | 2-6 CL | " | 2650 | 1060 | 870 | 690 | 530 | 400 |
| | | | | | " | 3-6 CL | " | 3110 | 1240 | 1030 | 810 | 620 | 470 |
| | | | | | 30B | 1 | 34" | 1800 | 720 | 590 | 470 | 360 | 270 |
| | | | | | " | 2-6 CL | " | 2730 | 1090 | 900 | 710 | 550 | 410 |
| | | | | | " | 3-6 CL | " | 3200 | 1280 | 1060 | 830 | 640 | 480 |
| | | | | | " | 36B | 1 | 40" | 1880 | 750 | 620 | 490 | 380 |
| " | " | 2-6 CL | " | 2810 | 1120 | 930 | 730 | 560 | 420 | | | | |
| " | " | 3-6 CL | " | 3290 | 1320 | 1090 | 860 | 660 | 490 | | | | |
| 3/4" | VC3/4-44 | 4-1/4" SQ. | 40 | .020" | 14B | 1 | 18" | 1850 | 740 | 610 | 480 | 370 | 280 |
| | | | | | 20B | 1 | 24" | 2000 | 800 | 660 | 520 | 400 | 300 |
| | | | | | " | 2-6 CL | " | 2690 | 1080 | 890 | 700 | 540 | 400 |
| | | | | | 24B | 1 | 28" | 2090 | 840 | 690 | 540 | 420 | 310 |
| | | | | | " | 2-6 CL | " | 2970 | 1190 | 980 | 770 | 590 | 450 |
| | | | | | " | 3-6 CL | " | 3440 | 1380 | 1140 | 890 | 690 | 520 |
| | | | | | 30B | 1 | 34" | 2270 | 910 | 750 | 590 | 450 | 340 |
| | | | | | " | 2-6 CL | " | 3120 | 1250 | 1030 | 810 | 620 | 470 |
| | | | | | " | 3-6 CL | " | 3560 | 1420 | 1170 | 930 | 710 | 530 |
| | | | | | " | 36B | 1 | 40" | 2450 | 980 | 810 | 640 | 490 |
| " | " | 2-6 CL | " | 3230 | 1290 | 1070 | 840 | 650 | 480 | | | | |
| " | " | 3-6 CL | " | 3640 | 1460 | 1200 | 950 | 730 | 550 | | | | |
| 3/4" | VC3/4-45 | 4-1/4" SQ. | 50 | .020" | 14B | 1 | 18" | 1950 | 780 | 640 | 510 | 390 | 290 |
| | | | | | 20B | 1 | 24" | 2230 | 890 | 740 | 580 | 450 | 330 |
| | | | | | " | 2-6 CL | " | 3200 | 1280 | 1060 | 830 | 640 | 480 |
| | | | | | 24B | 1 | 28" | 2400 | 960 | 790 | 620 | 480 | 360 |
| | | | | | " | 2-6 CL | " | 3150 | 1260 | 1040 | 820 | 630 | 470 |
| | | | | | " | 3-6 CL | " | 3630 | 1450 | 1200 | 940 | 730 | 540 |
| | | | | | 30B | 1 | 34" | 2670 | 1070 | 880 | 690 | 530 | 400 |
| | | | | | " | 2-6 CL | " | 3480 | 1390 | 1150 | 900 | 700 | 520 |
| | | | | | " | 3-6 CL | " | 3950 | 1580 | 1300 | 1030 | 790 | 590 |
| | | | | | " | 36B | 1 | 40" | 2930 | 1170 | 970 | 760 | 590 |
| " | " | 2-6 CL | " | 3710 | 1480 | 1220 | 960 | 740 | 560 | | | | |
| " | " | 3-6 CL | " | 4150 | 1660 | 1370 | 1080 | 830 | 620 | | | | |