

CLASSIC

Submittal

JV4/V4-AR18 & 24EI
Classic Architectural
Copper/Aluminum and
Steel Elements

Specification

JV4 Slip Jointed Enclosure

ENCLOSURE:

- STYLE: Classic Ext. Alum. Inlet
OUTLET: Extruded Aluminum Grille
Pencil Proof
- LENGTHS: 2'0" thru 8'0" in 6" Increments
MAT'L: 16 Ga. CRS (Std)
 14 Ga. CRS (Opt'l)
 16 Ga. Stainless Steel (Opt'l)*
 14 Ga. Stainless Steel (Opt'l)*
 14 Ga. Aluminum (Opt'l)
 12 Ga. Aluminum (Opt'l)
*Available on "J" Style only
- HEIGHT: 18-7/16"
 24-7/16"
- FINISH: Baked Powder (Std)
 Baked Metallic

FLOOR ANGLE:

- Ext. Al (Clear Anodized)
 1" x 1" CRS Painted

ACCESSORIES:

- JV4 Overlapping Type
 V4 Underlapping Type

ELEMENT:

- TYPE: Cu/Al (Mechanically Expanded)
LENGTHS: 2'0" thru 12'6" in 1" Increments for 1" & 1-1/4" Cu.
2'0" thru 8'0" in 1" Increments for 3/4" Cu
- TYPE: One End Flared, (Std)
- TYPE: IPS Steel (Mechanically Expanded)
LENGTHS: 2'0" Thru 12'0" in 1" Increments
 NPT Thread both Ends (Std)
 Beveled Ends for Field Weld
- See Catalog for Working Pressures

V4 Wiped Edge Enclosure

BACKPLATE:

- TYPE: Partial B/P
LENGTHS: 8'0" Only
MAT'L: 20 Ga. Prepainted (Std)
 18 Ga. Galvannealed (Opt'l)
- TYPE: Full Ht. B/P (Opt'l)
LENGTHS: 2'0" thru 8'0" in 6" Increments
MAT'L: 20 Ga. Galvannealed (Opt'l)
 20 Ga. Painted (Opt'l)
 18 Ga. Painted (Opt'l)

AIR SEAL:

- 1/8" x 3/8" Closed Cell (Opt'l)

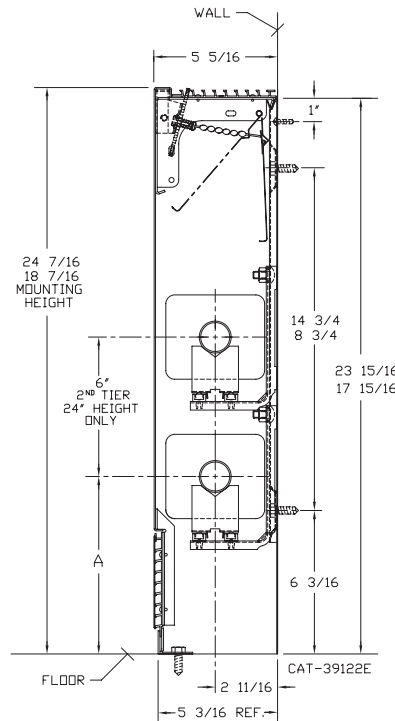
BRACKETS:

- Vertical Wall Brk't w/B.B. Hgr(s)

DAMPER:

- Dial Type (Opt'l)
 Tamper Resistant (Opt'l)
 Slide Damper (Opt'l)

JV4/V4-AR18 & 24EI
(JV4 Shown)



| ELEMENT TUBE SIZE | FIN SIZE HEIGHT x WIDTH | CRADLE NUMBER | A | |
|-------------------|-------------------------|---------------|------|---------|
| | | | MIN. | MAX. |
| 3/4 COPPER | 3 5/8 x 4 1/4 | 2 | 8' | 8 11/16 |
| 3/4 COPPER | 4 1/4 x 4 1/4 | 3A | | 9 1/16 |
| 1" COPPER | 3 5/8 x 4 1/4 | 2 | | 8 13/16 |
| 1" COPPER | 4 1/4 x 4 1/4 | 2 | | 8 13/16 |
| 1 1/4 COPPER | 3 5/8 x 4 1/4 | 2 | | 9' |
| 1 1/4 COPPER | 4 1/4 x 4 1/4 | 2 | | 9' |
| 1" STEEL | 4 1/4 x 4 1/4 | 2 | | 8 15/16 |
| 1 1/4 STEEL | 4 1/4 x 4 1/4 | 2 | | 9 3/16 |
| 2" STEEL | 4 1/4 x 4 1/4 | 1 | | 8 15/16 |



260 North Elm St., Westfield, MA 01085
(413) 568-9571 Fax: (413) 564-5661
www.vulcanrad.com



PROJECT: _____ DATE: _____
LOCATION: _____
ARCHITECT: _____
ENGINEER: _____
CONTRACTOR: _____
PO NUMBER: _____

STYLE JV4/V4-AR18 & 24EI

COPPER/ALUMINUM ELEMENT RATINGS

ALL RATINGS ARE BASED ON 3 FPS WATER VELOCITY, 65° EAT.

| TUBE SIZE | CATALOG DESIGNATION | FIN SIZE HEIGHT X WIDTH | FIN PER FT. | FIN THICKNESS | ENCL. HEIGHT | TIERS AND CENTERS | MTG. HEIGHT | STEAM RATING 215°F, 65°F E.A.T. BTU/FT/HR | HOT WATER RATINGS BTU/FT/HR AWT | | | | | | |
|-----------|---------------------|-------------------------|-------------|---------------|--------------|-------------------|-------------|--|------------------------------------|------|------|------|------|------|------|
| | | | | | | | | | 180° | 170° | 160° | 150° | 140° | 130° | 120° |
| | | | | | | | | | 0.69 | 0.61 | 0.53 | 0.45 | .40 | .33 | .26 |
| 3/4" | VC3/4-433 | 3-5/8" x 4-1/4" | 32 | .020 | 18-7/16 | 1 | 18-7/16 | 1360 | 940 | 830 | 720 | 610 | 540 | 450 | 350 |
| | | | | | 24-7/16 | 1 | 24-7/16 | 1400 | 970 | 850 | 740 | 630 | 560 | 460 | 360 |
| | | | | | 24-7/16 | 2-6CL | 24-7/16 | 2220 | 1530 | 1350 | 1180 | 1000 | 890 | 730 | 580 |
| 3/4" | VC3/4-434 | 3-5/8" x 4-1/4" | 40 | .020 | 18-7/16 | 1 | 18-7/16 | 1620 | 1120 | 990 | 860 | 730 | 650 | 530 | 420 |
| | | | | | 24-7/16 | 1 | 24-7/16 | 1710 | 1180 | 1040 | 910 | 770 | 680 | 560 | 440 |
| | | | | | 24-7/16 | 2-6 CL | 24-7/16 | 2390 | 1650 | 1460 | 1270 | 1080 | 960 | 790 | 620 |
| 3/4" | VC3/4-435 | 3-5/8" x 4-1/4" | 50 | .020 | 18-7/16 | 1 | 18-7/16 | 1780 | 1230 | 1090 | 940 | 800 | 710 | 590 | 460 |
| | | | | | 24-7/16 | 1 | 24-7/16 | 1940 | 1340 | 1180 | 1030 | 870 | 780 | 640 | 500 |
| | | | | | 24-7/16 | 2-6 CL | 24-7/16 | 2400 | 1660 | 1460 | 1270 | 1080 | 960 | 790 | 620 |
| 1" | VC433 | 3-5/8" x 4-1/4" | 32 | .020 | 18-7/16 | 1 | 18-7/16 | 1410 | 970 | 860 | 750 | 630 | 560 | 470 | 370 |
| | | | | | 24-7/16 | 1 | 24-7/16 | 1450 | 1000 | 880 | 770 | 650 | 580 | 480 | 380 |
| | | | | | 24-7/16 | 2-6 CL | 24-7/16 | 2320 | 1600 | 1420 | 1230 | 1040 | 930 | 770 | 600 |
| 1" | VC434 | 3-5/8" x 4-1/4" | 40 | .020 | 18-7/16 | 1 | 18-7/16 | 1690 | 1170 | 1030 | 900 | 760 | 680 | 560 | 440 |
| | | | | | 24-7/16 | 1 | 24-7/16 | 1800 | 1240 | 1100 | 950 | 810 | 720 | 590 | 470 |
| | | | | | 24-7/16 | 2-6 CL | 24-7/16 | 2510 | 1730 | 1530 | 1330 | 1130 | 1000 | 830 | 650 |
| 1" | VC435 | 3-5/8" x 4-1/4" | 50 | .020 | 18-7/16 | 1 | 18-7/16 | 1850 | 1280 | 1130 | 980 | 830 | 740 | 610 | 480 |
| | | | | | 24-7/16 | 1 | 24-7/16 | 2030 | 1400 | 1240 | 1080 | 910 | 810 | 670 | 530 |
| | | | | | 24-7/16 | 2-6 CL | 24-7/16 | 2510 | 1730 | 1530 | 1330 | 1130 | 1000 | 830 | 650 |
| 1-1/4" | VC1433 | 3-5/8" x 4-1/4" | 32 | .020 | 18-7/16 | 1 | 18-7/16 | 1380 | 950 | 840 | 730 | 620 | 550 | 460 | 360 |
| | | | | | 24-7/16 | 1 | 24-7/16 | 1420 | 980 | 870 | 750 | 640 | 570 | 470 | 370 |
| | | | | | 24-7/16 | 2-6 CL | 24-7/16 | 2280 | 1570 | 1390 | 1210 | 1030 | 910 | 750 | 590 |
| 1-1/4" | VC1434 | 3-5/8" x 4-1/4" | 40 | .020 | 18-7/16 | 1 | 18-7/16 | 1660 | 1150 | 1010 | 880 | 750 | 660 | 550 | 430 |
| | | | | | 24-7/16 | 1 | 24-7/16 | 1760 | 1210 | 1070 | 930 | 790 | 700 | 580 | 460 |
| | | | | | 24-7/16 | 2-6 CL | 24-7/16 | 2460 | 1700 | 1500 | 1300 | 1110 | 980 | 810 | 640 |
| 1-1/4" | VC1435 | 3-5/8" x 4-1/4" | 50 | .020 | 18-7/16 | 1 | 18-7/16 | 1760 | 1210 | 1070 | 930 | 790 | 700 | 580 | 460 |
| | | | | | 24-7/16 | 1 | 24-7/16 | 1920 | 1320 | 1170 | 1020 | 860 | 770 | 630 | 500 |
| | | | | | 24-7/16 | 2-6 CL | 24-7/16 | 2370 | 1640 | 1450 | 1260 | 1070 | 950 | 780 | 620 |
| 3/4" | VC3/4-43 | 4-1/4" SQ. | 32 | .020 | 18-7/16 | 1 | 18-7/16 | 1470 | 1010 | 900 | 780 | 660 | 590 | 490 | 380 |
| | | | | | 24-7/16 | 1 | 24-7/16 | 1540 | 1060 | 940 | 820 | 690 | 620 | 510 | 400 |
| | | | | | 24-7/16 | 2-6 CL | 24-7/16 | 2310 | 1590 | 1410 | 1220 | 1040 | 920 | 760 | 600 |
| 3/4" | VC3/4-44 | 4-1/4" SQ. | 40 | .020 | 18-7/16 | 1 | 18-7/16 | 1840 | 1160 | 1020 | 890 | 760 | 670 | 550 | 440 |
| | | | | | 24-7/16 | 1 | 24-7/16 | 1950 | 1230 | 1090 | 940 | 800 | 710 | 590 | 460 |
| | | | | | 24-7/16 | 2-6 CL | 24-7/16 | 2360 | 1680 | 1480 | 1290 | 1090 | 970 | 800 | 630 |
| 3/4" | VC3/4-45 | 4-1/4" SQ. | 50 | .020 | 18-7/16 | 1 | 18-7/16 | 1870 | 1290 | 1140 | 990 | 840 | 750 | 620 | 490 |
| | | | | | 24-7/16 | 1 | 24-7/16 | 2050 | 1410 | 1250 | 1090 | 920 | 820 | 680 | 530 |
| | | | | | 24-7/16 | 2-6 CL | 24-7/16 | 2480 | 1710 | 1510 | 1310 | 1120 | 990 | 820 | 640 |
| 1" | VC43 | 4-1/4" SQ. | 32 | .020 | 18-7/16 | 1 | 18-7/16 | 1470 | 1010 | 900 | 780 | 660 | 590 | 490 | 380 |
| | | | | | 24-7/16 | 1 | 24-7/16 | 1540 | 1060 | 940 | 820 | 690 | 620 | 510 | 400 |
| | | | | | 24-7/16 | 2-6 CL | 24-7/16 | 2340 | 1610 | 1430 | 1240 | 1050 | 940 | 770 | 610 |
| 1" | VC44 | 4-1/4" SQ. | 40 | .020 | 18-7/16 | 1 | 18-7/16 | 1720 | 1190 | 1050 | 910 | 770 | 690 | 570 | 450 |
| | | | | | 24-7/16 | 1 | 24-7/16 | 1810 | 1250 | 1100 | 960 | 810 | 720 | 600 | 470 |
| | | | | | 24-7/16 | 2-6 CL | 24-7/16 | 2510 | 1730 | 1530 | 1330 | 1130 | 1000 | 830 | 650 |
| 1" | VC45 | 4-1/4" SQ. | 50 | .020 | 18-7/16 | 1 | 18-7/16 | 1900 | 1310 | 1160 | 1010 | 860 | 760 | 630 | 490 |
| | | | | | 24-7/16 | 1 | 24-7/16 | 2090 | 1440 | 1270 | 1110 | 940 | 840 | 690 | 540 |
| | | | | | 24-7/16 | 2-6 CL | 24-7/16 | 2510 | 1730 | 1530 | 1330 | 1130 | 1000 | 830 | 650 |
| 1-1/4" | VC143 | 4-1/4" SQ. | 32 | .020 | 18-7/16 | 1 | 18-7/16 | 1440 | 990 | 880 | 760 | 650 | 580 | 480 | 370 |
| | | | | | 24-7/16 | 1 | 24-7/16 | 1510 | 1040 | 920 | 800 | 680 | 600 | 500 | 390 |
| | | | | | 24-7/16 | 2-6 CL | 24-7/16 | 2300 | 1590 | 1400 | 1220 | 1040 | 920 | 760 | 600 |
| 1-1/4" | VC144 | 4-1/4" SQ. | 40 | .020 | 18-7/16 | 1 | 18-7/16 | 1690 | 1170 | 1030 | 900 | 760 | 680 | 560 | 440 |
| | | | | | 24-7/16 | 1 | 24-7/16 | 1780 | 1230 | 1090 | 940 | 800 | 710 | 590 | 460 |
| | | | | | 24-7/16 | 2-6 CL | 24-7/16 | 2460 | 1700 | 1500 | 1300 | 1110 | 980 | 810 | 640 |
| 1-1/4" | VC145 | 4-1/4" SQ. | 50 | .020 | 18-7/16 | 1 | 18-7/16 | 1870 | 1290 | 1140 | 990 | 840 | 750 | 620 | 490 |
| | | | | | 24-7/16 | 1 | 24-7/16 | 2050 | 1410 | 1250 | 1090 | 920 | 820 | 680 | 530 |
| | | | | | 24-7/16 | 2-6 CL | 24-7/16 | 2460 | 1700 | 1500 | 1300 | 1110 | 980 | 810 | 640 |

STYLE JV4/V4-AR18 & 24EI

STEEL ELEMENT RATINGS*

ALL RATINGS ARE BASED ON 3 FPS WATER VELOCITY, 65° EAT.

| TUBE SIZE | CATALOG DESIGNATION | FIN SIZE HEIGHT X WIDTH | FIN PER FT. | FIN THICKNESS | ENCL. HEIGHT | TIERS AND CENTERS | MTG. HEIGHT | STEAM RATING 215°F, 65°F E. A. T. BTU/FT/HR | HOT WATER RATINGS BTU/FT/HR AWT | | | | | | |
|-----------|---------------------|----------------------------|-------------|---------------|--------------|-------------------|-------------|--|------------------------------------|------|------|------|------|------|------|
| | | | | | | | | | 180° | 170° | 160° | 150° | 140° | 130° | 120° |
| | | | | | | | | | 0.69 | 0.61 | 0.53 | 0.45 | .40 | .33 | .26 |
| 1" | VS43 | 4-1/4" SQ. | 32 | .032 | 18-7/16 | 1 | 18-7/16 | 1210 | 830 | 740 | 640 | 540 | 480 | 400 | 310 |
| | | | | | 24-7/16 | 1 | 24-7/16 | 1270 | 880 | 770 | 670 | 570 | 510 | 420 | 330 |
| | | | | | 24-7/16 | 2-6 CL | 24-7/16 | 2080 | 1440 | 1270 | 1100 | 940 | 830 | 690 | 540 |
| 1" | VS44 | 4-1/4" SQ. | 40 | .032 | 18-7/16 | 1 | 18-7/16 | 1440 | 990 | 880 | 760 | 650 | 580 | 480 | 370 |
| | | | | | 24-7/16 | 1 | 24-7/16 | 1530 | 1060 | 930 | 810 | 690 | 610 | 500 | 400 |
| | | | | | 24-7/16 | 2-6 CL | 24-7/16 | 2330 | 1610 | 1420 | 1230 | 1050 | 930 | 770 | 610 |
| 1" | VS45 | 4-1/4" SQ. | 50 | .032 | 18-7/16 | 1 | 18-7/16 | 1490 | 1030 | 910 | 790 | 670 | 600 | 490 | 390 |
| | | | | | 24-7/16 | 1 | 24-7/16 | 1565 | 1080 | 950 | 830 | 700 | 630 | 520 | 410 |
| | | | | | 24-7/16 | 2-6 CL | 24-7/16 | 2285 | 1580 | 1390 | 1210 | 1030 | 910 | 750 | 590 |
| 1-1/4" | VS143 | 4-1/4" SQ. | 32 | .032 | 18-7/16 | 1 | 18-7/16 | 1200 | 830 | 730 | 640 | 540 | 480 | 400 | 310 |
| | | | | | 24-7/16 | 1 | 24-7/16 | 1260 | 870 | 770 | 670 | 570 | 500 | 420 | 330 |
| | | | | | 24-7/16 | 2-6 CL | 24-7/16 | 2060 | 1420 | 1260 | 1090 | 930 | 820 | 680 | 540 |
| 1-1/4" | VS144 | 4-1/4" SQ. | 40 | .032 | 18-7/16 | 1 | 18-7/16 | 1430 | 990 | 870 | 760 | 640 | 570 | 470 | 370 |
| | | | | | 24-7/16 | 1 | 24-7/16 | 1520 | 1050 | 930 | 810 | 680 | 610 | 500 | 400 |
| | | | | | 24-7/16 | 2-6 CL | 24-7/16 | 2240 | 1550 | 1370 | 1190 | 1010 | 900 | 740 | 580 |
| 1-1/4" | VS145 | 4-1/4" SQ. | 50 | .032 | 18-7/16 | 1 | 18-7/16 | 1460 | 1010 | 890 | 770 | 660 | 580 | 480 | 380 |
| | | | | | 24-7/16 | 1 | 24-7/16 | 1535 | 1060 | 940 | 810 | 690 | 610 | 510 | 400 |
| | | | | | 24-7/16 | 2-6 CL | 24-7/16 | 2240 | 1550 | 1370 | 1190 | 1010 | 900 | 740 | 580 |
| 2" | VS242 | 4-1/4" SQ. | 25 | .032 | 18-7/16 | 1 | 18-7/16 | 1090 | 750 | 660 | 580 | 490 | 440 | 360 | 280 |
| | | | | | 24-7/16 | 1 | 24-7/16 | 1130 | 780 | 690 | 600 | 510 | 450 | 370 | 290 |
| | | | | | 24-7/16 | 2-6 CL | 24-7/16 | 1830 | 1260 | 1120 | 970 | 820 | 730 | 600 | 480 |
| 2" | VS243 | 4-1/4" SQ. | 32 | .032 | 18-7/16 | 1 | 18-7/16 | 1290 | 890 | 790 | 680 | 580 | 520 | 430 | 340 |
| | | | | | 24-7/16 | 1 | 24-7/16 | 1330 | 920 | 810 | 700 | 600 | 530 | 440 | 350 |
| | | | | | 24-7/16 | 2-6 CL | 24-7/16 | 2030 | 1400 | 1240 | 1080 | 910 | 810 | 670 | 530 |

*NPT threads furnished on steel elements. Please use domestic fittings for proper installation.