

CLASSIC

Submittal

JV4/V4-AR10LI
Classic Architectural
Copper/Aluminum and
Steel Elements

Specification

JV4 Slip Jointed Enclosure

ENCLOSURE:

STYLE: Classic Louvered Inlet
OUTLET: Extruded Aluminum
Pencil Proof

LENGTHS: 2'0" thru 8'0" in 6" Increments

MAT'L: 16 Ga. CRS (Std)
 14 Ga. CRS (Opt'l)
 16 Ga. Stainless Steel (Opt'l)*
 14 Ga. Stainless Steel (Opt'l)*
 14 Ga. Aluminum (Opt'l)
 12 Ga. Aluminum (Opt'l)

*Available on "J" Style Only

FINISH: Baked Powder (Std)
 Baked Metallic

FLOOR ANGLE:

Ext. Al (Clear Anodized)
 1" x 1" CRS Painted

ACCESSORIES:

JV4 Overlapping Type
 V4 Underlapping Type

ELEMENT:

TYPE: Cu/Al (Mechanically
Expanded)

LENGTHS: 2'0" thru 12'6" in 1" Increments
for 1" & 1-1/4" Cu.
2'0" thru 8'0" in 1" Increments
for 3/4" Cu.

One End Flared, (Std)

TYPE: IPS Steel (Mechanically
Expanded)

LENGTHS: 2'0" Thru 12'0" in 1" Increments
 NPT Thread both Ends (Std)
 Beveled Ends for Field Weld

See Catalog for Working
Pressures

V4 Wiped Edge Enclosure

BACKPLATE:

TYPE: Partial B/P

LENGTHS: 8'0" Only

MAT'L: 20 Ga. Prepainted (Std)
 18 Ga. Galvannealed (Opt'l)

TYPE: Full Ht. B/P (Opt'l)

LENGTHS: 2'0" thru 8'0" in 6" Increments

MAT'L: 20 Ga. Galvannealed (Opt'l)
 20 Ga. Painted (Opt'l)
 18 Ga. Painted (Opt'l)

AIRSEAL:

1/8" x 3/8" Closed Cell (Opt'l)

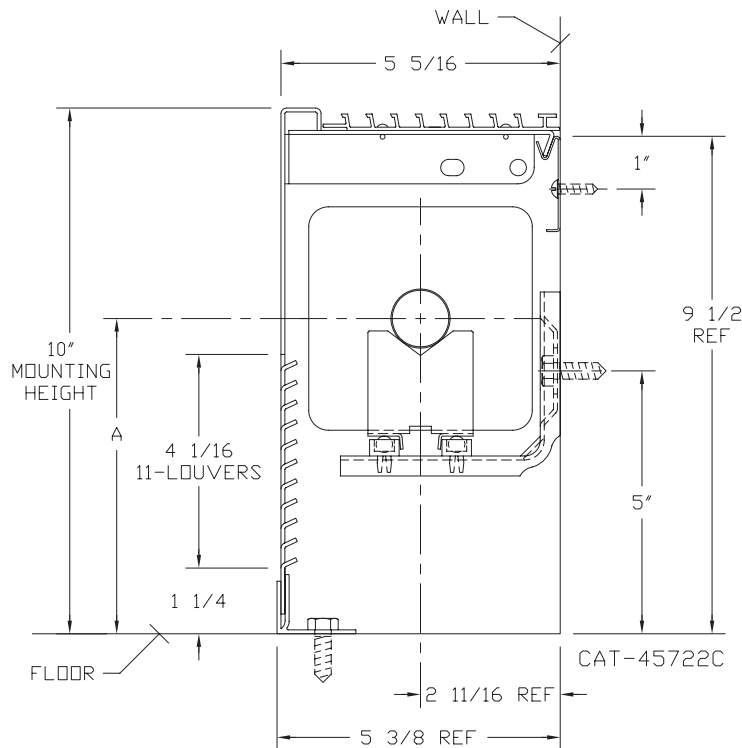
BRACKETS:

B.B. Hgr Wall Mtd. 4

DAMPER:

Slide Damper (Opt'l)

JV4/V4-AR10LI (JV4 Shown)



| ELEMENT TUBE SIZE | FIN SIZE HEIGHT x WIDTH | CRADLE NUMBER | A |
|-------------------|-------------------------|---------------|---------|
| 3/4 COPPER | 3 5/8 x 4 1/4 | 2 | 5 13/16 |
| 3/4 COPPER | 4 1/4 x 4 1/4 | 3A | 6 3/16 |
| 1" COPPER | 3 5/8 x 4 1/4 | 2 | 6" |
| 1" COPPER | 4 1/4 x 4 1/4 | 2 | 6" |
| 1 1/4 COPPER | 3 5/8 x 4 1/4 | 2 | 6 1/8 |
| 1 1/4 COPPER | 4 1/4 x 4 1/4 | 2 | 6 1/8 |
| 1" STEEL | 4 1/4 x 4 1/4 | 2 | 6 1/8 |
| 1 1/4 STEEL | 4 1/4 x 4 1/4 | 2 | 6 5/16 |
| 2" STEEL | 4 1/4 x 4 1/4 | 1 | 6 1/8 |

Vulcan

RADIATOR

260 North Elm St., Westfield, MA 01085
(413) 568-9571 Fax: (413) 564-5661
www.vulcanrad.com



PROJECT: _____ DATE: _____

LOCATION: _____

ARCHITECT: _____

ENGINEER: _____

CONTRACTOR: _____

PO NUMBER: _____

STYLE JV4/V4-AR10LI

COPPER/ALUMINUM ELEMENT RATINGS

ALL RATINGS ARE BASED ON 3 FPS WATER VELOCITY, 65° EAT.

| TUBE SIZE | CATALOG DESIGNATION | FIN SIZE HEIGHT X WIDTH | FIN PER FT. | FIN THICKNESS | ENCL. HEIGHT | TIERS OF ELEMENT | MTG. HEIGHT | STEAM RATING 215°F, 65°F E.A.T. BTU/FT/HR | HOT WATER RATINGS BTU/FT/HR AWT | | | | | | |
|-----------|---------------------|-------------------------|-------------|---------------|--------------|------------------|-------------|---|---------------------------------|------|------|------|------|------|------|
| | | | | | | | | | 180° | 170° | 160° | 150° | 140° | 130° | 120° |
| | | | | | | | | | 0.69 | 0.61 | 0.53 | 0.45 | .40 | .33 | .26 |
| 3/4" | VC3/4-433 | 3-5/8" x 4-1/4" | 32 | .020 | 10" | 1 | 10" | 1020 | 700 | 620 | 540 | 460 | 410 | 340 | 270 |
| 3/4" | VC3/4-434 | 3-5/8" x 4-1/4" | 40 | .020 | 10" | 1 | 10" | 1180 | 810 | 720 | 630 | 530 | 470 | 390 | 310 |
| 3/4" | VC3/4-435 | 3-5/8" x 4-1/4" | 50 | .020 | 10" | 1 | 10" | 1255 | 870 | 770 | 670 | 560 | 500 | 410 | 330 |
| 1" | VC433 | 3-5/8" x 4-1/4" | 32 | .020 | 10" | 1 | 10" | 1090 | 750 | 660 | 580 | 490 | 440 | 360 | 280 |
| 1" | VC434 | 3-5/8" x 4-1/4" | 40 | .020 | 10" | 1 | 10" | 1200 | 830 | 730 | 640 | 540 | 480 | 400 | 310 |
| 1" | VC435 | 3-5/8" x 4-1/4" | 50 | .020 | 10" | 1 | 10" | 1290 | 890 | 790 | 680 | 580 | 520 | 430 | 340 |
| 1-1/4" | VC1433 | 3-5/8" x 4-1/4" | 32 | .020 | 10" | 1 | 10" | 1070 | 740 | 650 | 570 | 480 | 430 | 350 | 280 |
| 1-1/4" | VC1434 | 3-5/8" x 4-1/4" | 40 | .020 | 10" | 1 | 10" | 1180 | 810 | 720 | 630 | 530 | 470 | 390 | 310 |
| 1-1/4" | VC1435 | 3-5/8" x 4-1/4" | 50 | .020 | 10" | 1 | 10" | 1270 | 880 | 770 | 670 | 570 | 510 | 420 | 330 |
| 3/4" | VC3/4-43 | 4-1/4" SQ. | 32 | .020 | 10" | 1 | 10" | 1190 | 820 | 730 | 630 | 540 | 480 | 390 | 310 |
| 3/4" | VC3/4-44 | 4-1/4" SQ. | 40 | .020 | 10" | 1 | 10" | 1290 | 890 | 790 | 680 | 580 | 520 | 430 | 340 |
| 3/4" | VC3/4-45 | 4-1/4" SQ. | 50 | .020 | 10" | 1 | 10" | 1310 | 900 | 800 | 690 | 590 | 520 | 430 | 340 |
| 1" | VC43 | 4-1/4" SQ. | 32 | .020 | 10" | 1 | 10" | 1200 | 830 | 730 | 640 | 540 | 480 | 400 | 310 |
| 1" | VC44 | 4-1/4" SQ. | 40 | .020 | 10" | 1 | 10" | 1320 | 910 | 810 | 700 | 590 | 530 | 440 | 340 |
| 1" | VC45 | 4-1/4" SQ. | 50 | .020 | 10" | 1 | 10" | 1340 | 920 | 820 | 710 | 600 | 540 | 440 | 350 |
| 1-1/4" | VC143 | 4-1/4" SQ. | 32 | .020 | 10" | 1 | 10" | 1170 | 810 | 710 | 620 | 530 | 470 | 390 | 300 |
| 1-1/4" | VC144 | 4-1/4" SQ. | 40 | .020 | 10" | 1 | 10" | 1300 | 900 | 790 | 690 | 590 | 520 | 430 | 340 |
| 1-1/4" | VC145 | 4-1/4" SQ. | 50 | .020 | 10" | 1 | 10" | 1320 | 910 | 810 | 700 | 590 | 530 | 440 | 340 |

STEEL ELEMENT RATINGS*

ALL RATINGS ARE BASED ON 3 FPS WATER VELOCITY, 65° EAT.

| I.P.S. SIZE | CATALOG DESIGNATION | FIN SIZE HEIGHT X WIDTH | FIN PER FT. | FIN THICKNESS | ENCL. HEIGHT | TIERS OF ELEMENT | MTG. HEIGHT | STEAM RATING 215°F, 65°F E.A.T. BTU/FT/HR | HOT WATER RATINGS BTU/FT/HR AWT | | | | | | |
|-------------|---------------------|-------------------------|-------------|---------------|--------------|------------------|-------------|---|---------------------------------|------|------|------|------|------|------|
| | | | | | | | | | 180° | 170° | 160° | 150° | 140° | 130° | 120° |
| | | | | | | | | | 0.69 | 0.61 | 0.53 | 0.45 | .40 | .33 | .26 |
| 1" | VS43 | 4-1/4" SQ. | 32 | .032 | 10" | 1 | 10" | 1045 | 720 | 640 | 550 | 470 | 420 | 340 | 270 |
| 1" | VS44 | 4-1/4" SQ. | 40 | .032 | 10" | 1 | 10" | 1140 | 790 | 700 | 600 | 510 | 460 | 380 | 300 |
| 1" | VS45 | 4-1/4" SQ. | 50 | .032 | 10" | 1 | 10" | 1225 | 850 | 750 | 650 | 550 | 490 | 400 | 320 |
| 1-1/4" | VS143 | 4-1/4" SQ. | 32 | .032 | 10" | 1 | 10" | 1035 | 710 | 630 | 550 | 470 | 410 | 340 | 270 |
| 1-1/4" | VS144 | 4-1/4" SQ. | 40 | .032 | 10" | 1 | 10" | 1150 | 790 | 700 | 610 | 520 | 460 | 380 | 300 |
| 1-1/4" | VS145 | 4-1/4" SQ. | 50 | .032 | 10" | 1 | 10" | 1210 | 830 | 740 | 640 | 540 | 480 | 400 | 310 |
| 2" | VS242 | 4-1/4" SQ. | 25 | .032 | 10" | 1 | 10" | 905 | 620 | 550 | 480 | 410 | 360 | 300 | 240 |
| 2" | VS243 | 4-1/4" SQ. | 32 | .032 | 10" | 1 | 10" | 1075 | 740 | 660 | 570 | 480 | 430 | 350 | 280 |

* Male NPT threads furnished on steel elements. Please use domestic fittings for proper installation.