

# CLASSIC

## Submittal

JV4/V4-AR7  
Classic Architectural  
Copper/Aluminum and  
Steel Elements

### Specification

JV4 Slip Jointed Enclosure

**ENCLOSURE:**

- STYLE: Classic  
 OUTLET: Extruded Aluminum Grille  
 Pencil Proof
- LENGTHS: 2'0" thru 8'0" in 6" Increments  
 MAT'L:  16 Ga. CRS (Std)  
 14 Ga. CRS (Opt'l)  
 16 Ga. Stainless Steel (Opt'l)\*  
 14 Ga. Stainless Steel (Opt'l)\*  
 14 Ga. Aluminum (Opt'l)  
 12 Ga. Aluminum (Opt'l)  
 \*Available on "J" Style Only
- FINISH:  Baked Powder (Std)  
 Baked Metallic

**ACCESSORIES:**

- JV4 Overlapping Type  
 V4 Underlapping Type  
 All accessories return to the wall at the bottom  
 and have pre-punched holes for fastening to  
 the wall.

**ELEMENT:**

- TYPE:  Cu/Al (Mechanically  
 Expanded)  
 LENGTHS: 2'0" thru 12'6" in 1" Increments  
 for 1" & 1-1/4" Cu.  
 2'0" thru 8'0" in 1" Increments  
 for 3/4" Cu.
- TYPE:  One End Flared, (Std)
- TYPE:  IPS Steel (Mechanically  
 Expanded)  
 LENGTHS: 2'0" Thru 12'0" in 1" Increments  
 NPT Thread both Ends (Std)  
 Beveled Ends for Field Weld

See Catalog for Working  
 Pressures

V4 Wiped Edge Enclosure

**BACKPLATE:**

- TYPE:  Partial B/P  
 LENGTHS: 8'0" Only  
 MAT'L:  20 Ga. Prepainted (Std)  
 18 Ga. Painted (Opt'l)
- TYPE:  Full Ht. B/P (Opt'l)  
 LENGTHS: 2'0" thru 8'0" in 6" Increments  
 MAT'L:  20 Ga. Galvannealed (Opt'l)  
 20 Ga. Painted (Opt'l)  
 18 Ga. Painted (Opt'l)

**AIRSEAL:**

- 1/8" x 3/8" Closed Cell (Opt'l)

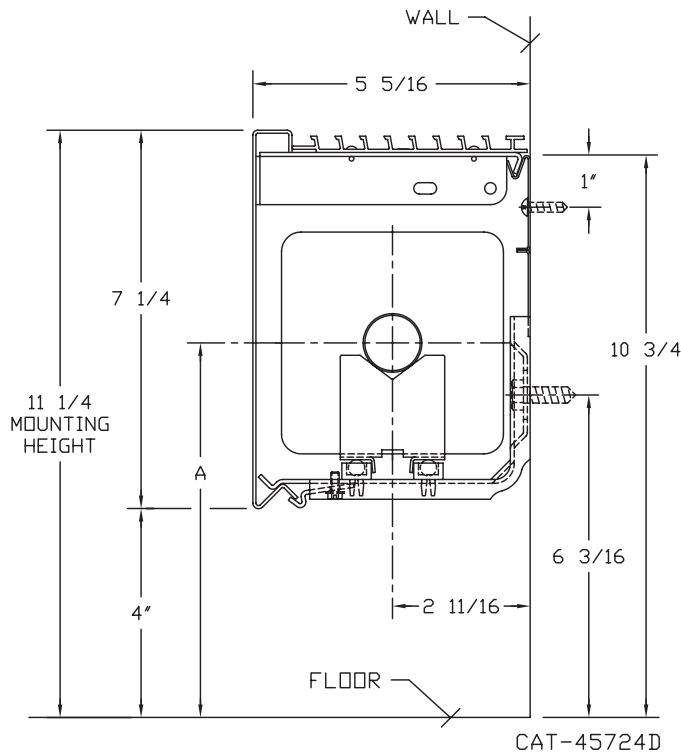
**BRACKETS:**

- Water Brkt 47

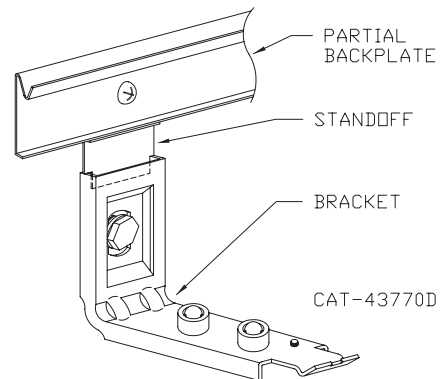
**DAMPER:**

- Slide Damper (Opt'l)

JV4/V4-AR7  
(JV4 Shown)



ELEMENT TUBE SIZE	FIN SIZE HEIGHT x WIDTH	CRADLE NUMBER	A
3/4" COPPER	3 5/8 x 4 1/4	2	7"
3/4" COPPER	4 1/4 x 4 1/4	3A	7 3/8"
1" COPPER	3 5/8 x 4 1/4	2	7 3/16"
1" COPPER	4 1/4 x 4 1/4	2	7 3/16"
1 1/4" COPPER	3 5/8 x 4 1/4	2	7 5/16"
1 1/4" COPPER	4 1/4 x 4 1/4	2	7 5/16"
1" STEEL	4 1/4 x 4 1/4	2	7 5/16"
1 1/4" STEEL	4 1/4 x 4 1/4	2	7 1/2"
2" STEEL	4 1/4 x 4 1/4	1	7 1/4"



260 North Elm St., Westfield, MA 01085  
 (413) 568-9571 Fax: (413) 564-5661  
 www.vulcanrad.com



PROJECT: \_\_\_\_\_ DATE: \_\_\_\_\_  
 LOCATION: \_\_\_\_\_  
 ARCHITECT: \_\_\_\_\_  
 ENGINEER: \_\_\_\_\_  
 CONTRACTOR: \_\_\_\_\_  
 PO NUMBER: \_\_\_\_\_

# STYLE JV4/V4-AR7

## COPPER/ALUMINUM ELEMENT RATINGS

ALL RATINGS ARE BASED ON 3 FPS WATER VELOCITY, 65° EAT.

TUBE SIZE	CATALOG DESIGNATION	FIN SIZE HEIGHT X WIDTH	FIN PER FT.	FIN THICKNESS	ENCL. HEIGHT	TIERS OF ELEMENT	MTG. HEIGHT	STEAM RATING 215°F, 65°F E.A.T. BTU/FT/HR	HOT WATER RATINGS BTU/FT/HR AWT						
									180°	170°	160°	150°	140°	130°	120°
									0.69	0.61	0.53	0.45	.40	.33	.26
3/4"	VC3/4-433	3-5/8" x 4-1/4"	32	.020	7 1/4	1	11 1/4	1065	730	650	560	480	430	350	280
3/4"	VC3/4-434	3-5/8" x 4-1/4"	40	.020	7 1/4	1	11 1/4	1240	860	760	660	560	500	410	320
3/4"	VC3/4-435	3-5/8" x 4-1/4"	50	.020	7 1/4	1	11 1/4	1320	910	810	700	590	530	440	340
1"	VC433	3-5/8" x 4-1/4"	32	.020	7 1/4	1	11 1/4	1150	790	700	610	520	460	380	300
1"	VC434	3-5/8" x 4-1/4"	40	.020	7 1/4	1	11 1/4	1260	870	770	670	570	500	420	330
1"	VC435	3-5/8" x 4-1/4"	50	.020	7 1/4	1	11 1/4	1360	940	830	720	610	540	450	350
1-1/4"	VC1433	3-5/8" x 4-1/4"	32	.020	7 1/4	1	11 1/4	1120	770	680	590	500	450	370	290
1-1/4"	VC1434	3-5/8" x 4-1/4"	40	.020	7 1/4	1	11 1/4	1240	860	760	660	560	500	410	320
1-1/4"	VC1435	3-5/8" x 4-1/4"	50	.020	7 1/4	1	11 1/4	1330	920	810	700	600	530	440	350
3/4"	VC3/4-43	4-1/4" SQ.	32	.020	7 1/4	1	11 1/4	1250	860	760	660	560	500	410	330
3/4"	VC3/4-44	4-1/4" SQ.	40	.020	7 1/4	1	11 1/4	1360	940	830	720	610	540	450	350
3/4"	VC3/4-45	4-1/4" SQ.	50	.020	7 1/4	1	11 1/4	1380	950	840	730	620	550	460	360
1"	VC43	4-1/4" SQ.	32	.020	7 1/4	1	11 1/4	1260	870	770	670	570	500	420	330
1"	VC44	4-1/4" SQ.	40	.020	7 1/4	1	11 1/4	1390	960	850	740	630	560	460	360
1"	VC45	4-1/4" SQ.	50	.020	7 1/4	1	11 1/4	1410	970	860	750	630	560	470	370
1-1/4"	VC143	4-1/4" SQ.	32	.020	7 1/4	1	11 1/4	1230	850	750	650	550	490	410	320
1-1/4"	VC144	4-1/4" SQ.	40	.020	7 1/4	1	11 1/4	1370	950	840	730	620	550	450	360
1-1/4"	VC145	4-1/4" SQ.	50	.020	7 1/4	1	11 1/4	1390	960	850	740	630	560	460	360

Note: Not recommended for steam applications. Consult factory.

## STEEL ELEMENT RATINGS\*

ALL RATINGS ARE BASED ON 3 FPS WATER VELOCITY, 65° EAT.

I.P.S. SIZE	CATALOG DESIGNATION	FIN SIZE HEIGHT X WIDTH	FIN PER FT.	FIN THICKNESS	ENCL. HEIGHT	TIERS OF ELEMENT	MTG. HEIGHT	STEAM RATING 215°F, 65°F E.A.T. BTU/FT/HR	HOT WATER RATINGS BTU/FT/HR AWT						
									180°	170°	160°	150°	140°	130°	120°
									0.69	0.61	0.53	0.45	.40	.33	.26
1"	VS43	4-1/4" SQ.	32	.032	7 1/4	1	11 1/4	1100	760	670	580	500	440	360	290
1"	VS44	4-1/4" SQ.	40	.032	7 1/4	1	11 1/4	1210	830	740	640	540	480	400	310
1"	VS45	4-1/4" SQ.	50	.032	7 1/4	1	11 1/4	1295	890	790	690	580	520	430	340
1-1/4"	VS143	4-1/4" SQ.	32	.032	7 1/4	1	11 1/4	1090	750	660	580	490	440	360	280
1-1/4"	VS144	4-1/4" SQ.	40	.032	7 1/4	1	11 1/4	1210	830	740	640	540	480	400	310
1-1/4"	VS145	4-1/4" SQ.	50	.032	7 1/4	1	11 1/4	1270	880	770	670	570	510	420	330
2"	VS242	4-1/4" SQ.	25	.032	7 1/4	1	11 1/4	950	660	580	500	430	380	310	250
2"	VS243	4-1/4" SQ.	32	.032	7 1/4	1	11 1/4	1130	780	690	600	510	450	370	290

\* Male NPT threads furnished on steel elements. Please use domestic fittings for proper installation.