

CLASSIC

Submittal

JV4-ARDS 19 25 29
 Classic Architectural
 Copper/Aluminum and
 Steel Elements

Specification

JV4 Slip Jointed Enclosure

ENCLOSURE:

- STYLE: Classic Double Slop
 OUTLET: Extruded Aluminum Pencil Proof
- LENGTHS: 2' thru 8' in 6" Increments
 MAT'L: 16 Ga. CRS STD.
 14 Ga. CRS (Opt'l)
- FINISH: Baked Enamel Std.
 16 Ga. Stainless Steel (Opt'l)*
 14 Ga. Stainless Steel (Opt'l)*
 14 Ga. Aluminum (Opt'l)
 12 Ga. Aluminum (Opt'l)
 * Available on "J" Style only

ACCESSORIES:

All Accessories are Overlapping type
 All accessories return to the wall at the bottom and have pre-punched holes for fastening to the wall.

ELEMENT:

- TYPE: Cu/Al (Mechanically Expanded)
- LENGTHS: 2'0" thru 12'6" in 1" Increments for 1" & 1-1/4"Cu.
 2' thru 8' in 1" Increments for 3/4"Cu.
- One End Flared, Std.
- TYPE: IPS Steel (Mechanically Expanded)
- LENGTHS: 2'0" Thru 12'0" in 1" Increments
 Note: This applies to all IPS Steel Elements
 NPT Thread both Ends Std.
 Beveled Ends for Field Weld
 See Catalog for Working Pressures

BACKPLATE:

- TYPE: Partial B/P
 LENGTHS: 8' Only
 MAT'L: 20 Ga. Prepainted Std.
 18 Ga. Galvannealed (Opt'l)
- Full Ht. B/P (Opt'l)
 2' thru 8' in 6" increments
 20 Ga. Galvannealed (Opt'l)
 18 Ga. Painted (Opt'l)

AIRSEAL:

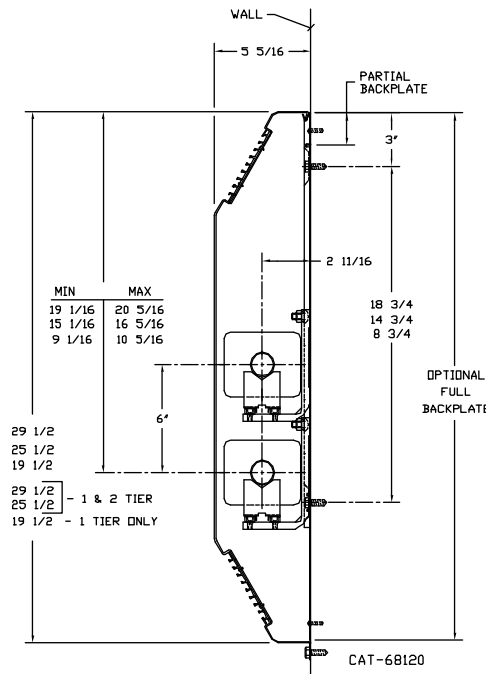
- 1/8" x 3/8" Closed Cell (Opt'l)

BRACKETS:

- Vertical Wall Brkt w/B.B. Hngr

DAMPER: Not Available

JV4-ARDS 19 25 29



260 North Elm St., Westfield, MA 01085
 (413) 568-9571 Fax: (413) 564-5661
 www.vulcanrad.com



PROJECT: _____ DATE: _____
 LOCATION: _____
 ARCHITECT: _____
 ENGINEER: _____
 CONTRACTOR: _____
 PO NUMBER: _____

STYLE "ARDS"

STEEL ELEMENT RATINGS

I.P.S. SIZE	CATALOG DESIGNATION	FIN SIZE WIDTH x HEIGHT	FIN PER FT.	FIN THICKNESS	ENCL HEIGHT IN INCHES	TIERS AND CENTERS IN INCHES	MTG. HEIGHT IN INCHES	STEAM 215° FACTOR	HOT WATER (AVG.)					
									200°	190°	180°	170°	160°	150°
									FACTOR					
									1.00	.86	.78	.69	.61	.53
1-1/4"	†VS143	4-1/4" SQ.	32	.032"	19-1/2	1	–	1210	1040	940	830	740	640	540
					25-1/2	1	–	1280	1100	1000	880	780	680	580
					"	2-6 CL	–	1920	1650	1500	1320	1170	1020	860
					29-1/2	1	–	1350	1160	1050	930	820	720	610
					"	2-6 CL	–	2030	1750	1580	1400	1240	1080	910
1-1/4"	†VS144	4-1/4" SQ.	40	.032"	19-1/2	1	–	1360	1170	1060	940	830	720	610
					25-1/2	1	–	1470	1260	1150	1010	900	780	660
					"	2-6 CL	–	2090	1800	1630	1440	1270	1110	940
					29-1/2	1	–	1560	1340	1220	1080	950	830	700
					"	2-6 CL	–	2240	1930	1750	1550	1370	1190	1010
2"	†VS242	4-1/4" SQ.	25	.032"	19-1/2	1	–	1050	900	820	720	640	560	470
					25-1/2	1	–	1110	950	870	770	680	590	500
					"	2-6 CL	–	1670	1440	1300	1150	1020	890	750
					29-1/2	1	–	1170	1010	910	810	710	620	530
					"	2-6 CL	–	1770	1520	1380	1220	1080	940	800
2"	†VS243	4-1/4" SQ.	32	.032"	19-1/2	1	–	1220	1050	950	840	740	650	550
					25-1/2	1	–	1290	1110	1010	890	790	680	580
					"	2-6 CL	–	1930	1660	1510	1330	1180	1020	870
					29-1/2	1	–	1360	1170	1060	940	830	720	610
					"	2-6 CL	–	2040	1750	1590	1410	1240	1080	920

Notes: 1) Steel fin furnished as .032 unless otherwise specified, consult factory.
 2) NPT threads furnished on steel elements. Please use domestic fittings for proper installation.

STYLE "ARDS"

COPPER/ALUMINUM ELEMENT RATINGS

TUBE SIZE	CATALOG DESIGNATION	FIN SIZE WIDTH x HEIGHT	FIN PER FT.	FIN THICKNESS	ENCL HEIGHT IN INCHES	TIERS AND CENTERS IN INCHES	MTG. HEIGHT IN INCHES	STEAM 215° FACTOR	HOT WATER (AVG.)						
									200°	190°	180°	170°	160°	150°	
									FACTOR						
									1.00	.86	.78	.69	.61	.53	.45
3/4"	VC3/4-434	4-1/4" x 3-5/8"	40	.020"	19-1/2	1	—	1470	1265	1145	1015	895	780	660	
					25-1/2	1	—	1570	1350	1225	1085	960	830	705	
					"	2-6 CL	—	2230	1215	1740	1540	1360	1180	1005	
					29-1/2	1	—	1650	1420	1285	1140	1010	875	740	
					"	2-6 CL	—	2330	2000	1815	1610	1420	1235	1050	
3/4"	VC3/4-435	4-1/4" x 3-5/8"	50	.020"	19-1/2	1	—	1590	1365	1240	1095	970	840	715	
					25-1/2	1	—	1805	1550	1405	1245	1100	955	810	
					"	2-6 CL	—	2435	2095	1900	1680	1485	1290	1095	
					29-1/2	1	—	1950	1675	1520	1345	1190	1035	880	
					"	2-6 CL	—	2685	2310	2095	1850	1640	1425	1210	
1"	VC433	4-1/4" x 3-5/8"	32	.020"	19-1/2	1	—	1330	1145	1035	920	810	705	600	
					25-1/2	1	—	1400	1205	1090	965	855	740	630	
					"	2-6 CL	—	2160	1857	1685	1490	1320	1145	970	
					29-1/2	1	—	1460	1255	1140	1010	890	775	660	
					"	2-6 CL	—	2235	1920	1745	1540	1365	1185	1005	
1"	VC434	4-1/4" x 3-5/8"	40	.020"	19-1/2	1	—	1535	1320	1195	1060	935	815	690	
					25-1/2	1	—	1640	1410	1280	1130	1000	870	740	
					"	2-6 CL	—	2300	1980	1795	1585	1405	1220	1035	
					29-1/2	1	—	1720	1480	1340	1185	1050	910	775	
					"	2-6 CL	—	2390	2055	1865	1650	1460	1265	1075	
1"	VC435	4-1/4" x 3-5/8"	50	.020"	19-1/2	1	—	1665	1430	1300	1150	1015	880	750	
					25-1/2	1	—	1880	1615	1465	1295	1145	995	845	
					"	2-6 CL	—	2280	1960	1780	1575	1390	1210	1025	
					29-1/2	1	—	2040	1755	1590	1410	1245	1080	920	
					"	2-6 CL	—	2510	2160	1955	1730	1530	1330	1130	
1-1/4"	VC1433	4-1/4" x 3-5/8"	32	.020"	19-1/2	1	—	1250	1075	975	860	760	660	565	
					25-1/2	1	—	1320	1135	1030	910	805	700	595	
					"	2-6 CL	—	2040	1755	1590	1410	1245	1080	920	
					29-1/2	1	—	1375	1180	1070	950	840	730	620	
					"	2-6 CL	—	2115	1820	1650	1450	1290	1120	950	
1-1/4"	VC1434	4-1/4" x 3-5/8"	40	.020"	19-1/2	1	—	1500	1290	1170	1035	915	795	675	
					25-1/2	1	—	1625	1390	1265	1120	990	860	730	
					"	2-6 CL	—	2255	1940	1760	1555	1375	1195	1015	
					29-1/2	1	—	1685	1450	1315	1160	1030	895	760	
					"	2-6 CL	—	2340	2010	1825	1615	1425	1240	1055	
1-1/4"	VC1435	4-1/4" x 3-5/8"	50	.020"	19-1/2	1	—	1610	1385	1255	1110	980	855	725	
					25-1/2	1	—	1840	1580	1435	1270	1120	975	830	
					"	2-6 CL	—	2165	1860	1690	1495	1320	1150	975	
					29-1/2	1	—	1960	1685	1530	1350	1195	1040	880	
					"	2-6 CL	—	2425	2085	1890	1675	1480	1285	1090	
1"	VC43	4-1/4" SQ.	32	.020"	19-1/2	1	—	1425	1225	1110	985	870	755	640	
					25-1/2	1	—	1500	1290	1170	1035	915	795	675	
					"	2-6 CL	—	2235	1920	1745	1540	1365	1185	1005	
					29-1/2	1	—	1565	1245	1220	1080	955	830	705	
					"	2-6 CL	—	2445	2100	1910	1685	1490	1295	1100	

STYLE "ARDS"

COPPER/ALUMINUM ELEMENT RATINGS

TUBE SIZE	CATALOG DESIGNATION	FIN SIZE WIDTH x HEIGHT	FIN PER FT.	FIN THICKNESS	ENCL HEIGHT IN INCHES	TIERS AND CENTERS IN INCHES	MTG. HEIGHT IN INCHES	STEAM 215° FACTOR	HOT WATER (AVG.)					
									200°	190°	180°	170°	160°	150°
									FACTOR					
									1.00	.86	.78	.69	.61	.53
1"	VC44	4-1/4" SQ.	40	.020"	19-1/2	1	—	1625	1395	1270	1120	990	860	730
					25-1/2	1	—	1760	1515	1370	1215	1075	930	790
					"	2-6 CL	—	2325	2000	1815	1605	1420	1230	1045
					29-1/2	1	—	1850	1590	1445	1275	1130	980	830
					"	2-6 CL	—	2520	2165	1965	1740	1535	1335	1135
1"	VC45	4-1/4" SQ.	50	.020"	19-1/2	1	—	1780	1530	1390	1230	1085	945	800
					25-1/2	1	—	2020	1735	1575	1400	1230	1070	910
					"	2-6 CL	—	2315	1990	1805	1595	1410	1225	1040
					29-1/2	1	—	2165	1860	1690	1495	1320	1150	975
					"	2-6 CL	—	2590	2225	2020	1790	1580	1370	1165
1-1/4"	VC143	4-1/4" SQ.	32	.020"	19-1/2	1	—	1400	1205	1090	965	855	740	630
					25-1/2	1	—	1475	1270	1150	1015	900	780	665
					"	2-6 CL	—	2195	1885	1710	1515	1340	1165	990
					29-1/2	1	—	1530	1315	1195	1055	935	810	690
					"	2-6 CL	—	2400	2065	1870	1655	1465	1270	1080
1-1/4"	VC144	4-1/4" SQ.	40	.020"	19-1/2	1	—	1600	1375	1250	1105	975	850	720
					25-1/2	1	—	1725	1485	1345	1190	1050	915	775
					"	2-6 CL	—	2280	1960	1780	1575	1390	1210	1025
					29-1/2	1	—	1815	1560	1415	1250	1110	960	815
					"	2-6 CL	—	2480	2130	1935	1710	1510	1315	1115
1-1/4"	VC145	4-1/4" SQ.	50	.020"	19-1/2	1	—	1745	1500	1360	1205	1065	925	785
					25-1/2	1	—	1986	1710	1550	1370	1210	1050	895
					"	2-6 CL	—	2270	1950	1770	1565	1385	1205	1020
					29-1/2	1	—	2135	1835	1665	1475	1300	1130	960
					"	2-6 CL	—	2545	2190	1985	1755	1550	1350	1145