

CLASSIC

Submittal

JV3/JV4-ARS 14 20 & 24
Classic Architectural
Copper/Aluminum and
Steel Elements

Specification

JV3 Slip Jointed Enclosure

ENCLOSURE:

- STYLE: Classic Slope
 OUTLET: Extruded Aluminum Pencil Proof
- LENGTHS: 2' thru 8' in 6" Increments
 MAT'L: 16 Ga. CRS STD.
 14 Ga. CRS (Opt'l)
 FINISH: Baked Enamel Std.
 16 Ga. Stainless Steel (Opt'l)*
 14 Ga. Stainless Steel (Opt'l)*
 14 Ga. Aluminum (Opt'l)
 12 Ga. Aluminum (Opt'l)
 * Available on "J" Style only

ACCESSORIES:

- All Accessories are Overlapping Type
 All accessories return to the wall at the bottom and have pre-punched holes for fastening to the wall.

ELEMENT:

- TYPE: Cu/Al (Mechanically Expanded)
 LENGTHS: 2'0" thru 12'6" in 1" Increments for 1" & 1-1/4"Cu.
 2' thru 8' in 1" Increments for 3/4"Cu.
 One End Flared, Std.
- TYPE: IPS Steel (Mechanically Expanded)
 LENGTHS: 2'0" Thru 12'0" in 1" Increments
 Note: This applies to all IPS Steel Elements
 NPT Thread both Ends Std.
 Beveled Ends for Field Weld
 See Catalog for Working Pressures

JV4 Slip Jointed Enclosure

BACKPLATE:

- TYPE: Partial B/P
 LENGTHS: 8' Only
 MAT'L: 20 Ga. Prepainted Std.
 18 Ga. Galvannealed (Opt'l)
 Full Ht. B/P (Opt'l)
 2' thru 8' in 6" increments
 20 Ga. Galvannealed (Opt'l)
 18 Ga. Painted (Opt'l)

AIRSEAL:

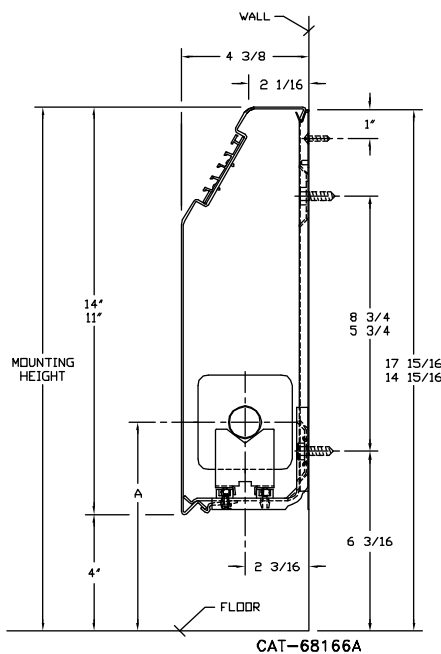
- 1/8" x 3/8" Closed Cell (Opt'l)

BRACKETS:

- Water Brakt w/B.B.
 Steam Brkt w/Brkt Mtd B.B. Hngr

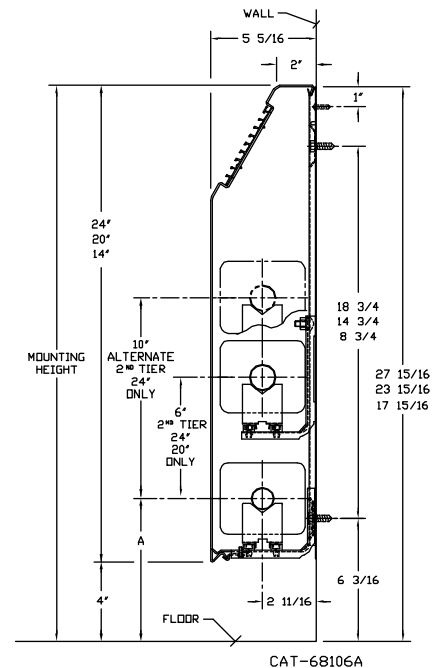
DAMPER: Not Available

JV3-ARS 11 14



ELEMENT TUBE SIZE	CRADLE NO.	A
3/4 COPPER	2	7'
1" COPPER	2	7 3/16
1 1/4 COPPER	2	7 5/16
1 1/4 STEEL	2	7 1/2
2" STEEL	1	7 1/4

JV4-ARS 14 20 & 24



260 North Elm St., Westfield, MA 01085
 (413) 568-9571 Fax: (413) 564-5661
 www.vulcanrad.com



PROJECT: _____ DATE: _____
 LOCATION: _____
 ARCHITECT: _____
 ENGINEER: _____
 CONTRACTOR: _____
 PO NUMBER: _____

STYLE "ARS"

COPPER/ALUMINUM ELEMENT RATINGS

TUBE SIZE	CATALOG DESIGNATION	FIN SIZE WIDTH x HEIGHT	FIN PER FT.	FIN THICKNESS	ENCL HEIGHT IN INCHES	TIERS AND CENTERS IN INCHES	MTG. HEIGHT IN INCHES	STEAM 215° FACTOR	HOT WATER (AVG.)					
									200°	190°	180°	170°	160°	150°
									FACTOR					
									1.00	.86	.78	.69	.61	.53
3/4"	VC3/4-34	3-1/4" SQ.	40	.020"	11	1	15	1180	1010	920	810	720	630	530
3/4"	VC3/4-35	3-1/4" SQ.	50	.020"	"	"	"	1320	1140	1030	910	810	700	590
1"	VC33	3-1/4" SQ.	32	.020"	"	"	"	980	840	760	680	600	520	440
1"	VC34	3-1/4" SQ.	40	.020"	"	"	"	1150	990	900	790	700	610	520
1"	VC35	3-1/4" SQ.	50	.020"	"	"	"	1260	1080	980	870	770	670	570
1-1/4"	VC133	3-1/4" SQ.	32	.020"	"	"	"	920	790	720	630	560	490	410
1-1/4"	VC134	3-1/4" SQ.	40	.020"	"	"	"	1080	930	840	750	660	570	490
1-1/4"	VC135	3-1/4" SQ.	50	.020"	"	"	"	1190	1020	930	820	730	630	540
3/4"	VRØ1	2-1/4" x 2-1/2"	50	.011"	"	"	"	710	610	550	490	430	380	320
3/4"	VRØ2	2-3/4" x 2-1/2"	60	.011"	"	"	"	950	820	740	660	580	500	430
3/4"	VRØ4	2-3/4" x 3-3/4"	50	.011"	"	"	"	980	840	760	680	600	520	440
1"	VRØ5	2-3/4" x 3-3/4"	50	.011"	"	"	"	990	850	770	680	600	520	450
1"	VRØ3	2-3/4" x 2-1/2"	55	.011"	"	"	"	920	790	720	630	560	490	410
3/4"	VC3/4-34	3-1/4" SQ.	40	.020"	14	1	18	1290	1110	1010	890	790	680	580
3/4"	VC3/4-35	3-1/4" SQ.	50	.020"	"	"	"	1440	1240	1120	990	880	760	650
1"	VC33	3-1/4" SQ.	32	.020"	"	"	"	1060	910	830	730	650	560	480
1"	VC34	3-1/4" SQ.	40	.020"	"	"	"	1250	1080	980	860	760	660	560
1"	VC35	3-1/4" SQ.	50	.020"	"	"	"	1370	1180	1070	950	840	730	620
1-1/4"	VC133	3-1/4" SQ.	32	.020"	"	"	"	1020	880	800	700	620	540	460
1-1/4"	VC134	3-1/4" SQ.	40	.020"	"	"	"	1190	1020	930	820	730	630	540
1-1/4"	VC135	3-1/4" SQ.	50	.020"	"	"	"	1330	1140	1040	920	810	700	600
3/4"	VC3/4-434	4-1/4" x 3-5/8"	40	.020"	14	1	18	1700	1460	1330	1170	1040	900	770
					20	1	24	1820	1570	1420	1260	1110	960	820
					"	2-6 CL	"	2580	2220	2010	1780	1570	1370	1160
					24	1	28	1910	1640	1490	1320	1170	1010	860
					"	2-6 CL	"	2700	2320	2110	1860	1650	1430	1220
"	2-10 CL	"	2780	2390	2170	1920	1700	1470	1250					
3/4"	VC3/4-435	4-1/4" x 3-5/8"	50	.020"	14	1	18	1840	1580	1440	1270	1120	980	830
					20	1	24	2090	1800	1630	1440	1270	1110	940
					"	2-6 CL	"	2820	2430	2200	1950	1720	1490	1270
					24	1	28	2260	1940	1760	1560	1380	1200	1020
					"	2-6 CL	"	3110	2670	2430	2150	1900	1650	1400
"	2-10 CL	"	3220	2770	2510	2220	1960	1710	1450					
1"	VC433	4-1/4" x 3-5/8"	32	.020"	14	1	18	1540	1320	1200	1060	940	820	690
					20	1	24	1620	1390	1260	1120	990	860	730
					"	2-6 CL	"	2500	2150	1950	1730	1530	1330	1130
					24	1	28	1690	1450	1320	1170	1030	900	760
					"	2-6 CL	"	2590	2230	2020	1790	1580	1370	1170
"	2-10 CL	"	2640	2270	2060	1820	1610	1400	1190					

STYLE "ARS"

COPPER/ALUMINUM ELEMENT RATINGS

TUBE SIZE	CATALOG DESIGNATION	FIN SIZE HEIGHT x DEPTH	FIN PER FT.	FIN THICKNESS	ENCL HEIGHT IN INCHES	TIERS AND CENTERS IN INCHES	MTG. HEIGHT IN INCHES	STEAM 215° FACTOR 1.00	HOT WATER (AVG.)					
									200°	190°	180°	170°	160°	150°
									FACTOR					
									.86	.78	.69	.61	.53	.45
1"	VC434	4-1/4" x 3-5/8"	40	.020"	14	1	18	1780	1530	1390	1230	1090	940	800
					20	1	24	1900	1630	1480	1310	1160	1010	860
					"	2-6 CL	"	2660	2290	2070	1840	1620	1410	1200
					24	1	28	1990	1710	1550	1370	1210	1050	900
					"	2-6 CL	"	2770	2380	2160	1910	1690	1470	1250
					"	2-10 CL	"	2850	2450	2220	1970	1740	1510	1280
1"	VC435	4-1/4" x 3-5/8"	50	.020"	14	1	18	1930	1660	1510	1330	1180	1020	870
					20	1	24	2180	1870	1700	1500	1330	1160	980
					"	2-6 CL	"	2640	2270	2060	1820	1610	1400	1190
					24	1	28	2360	2030	1840	1630	1440	1250	1060
					"	2-6 CL	"	2910	2500	2270	2010	1780	1540	1310
					"	2-10 CL	"	3000	2580	2340	2070	1830	1590	1350
1-1/4"	VC1433	4-1/4" x 3-5/8"	32	.020"	14	1	18	1450	1250	1130	1000	880	770	650
					20	1	24	1530	1320	1190	1060	930	810	690
					"	2-6 CL	"	2360	2030	1840	1630	1440	1250	1060
					24	1	28	1590	1370	1240	1100	970	840	720
					"	2-6 CL	"	2450	2110	1910	1690	1490	1300	1100
					"	2-10 CL	"	2500	2150	1950	1730	1530	1330	1130
1-1/4"	VC1434	4-1/4" x 3-5/8"	40	.020"	14	1	18	1740	1500	1360	1200	1060	920	780
					20	1	24	1880	1620	1470	1300	1150	1000	850
					"	2-6 CL	"	2610	2240	2040	1800	1590	1380	1170
					24	1	28	1950	1680	1520	1350	1190	1030	880
					"	2-6 CL	"	2710	2330	2110	1870	1650	1440	1220
					"	2-10 CL	"	2790	2400	2180	1930	1700	1480	1260
1-1/4"	VC1435	4-1/4" x 3-5/8"	50	.020"	14	1	18	1860	1600	1450	1280	1130	990	840
					20	1	24	2130	1830	1660	1470	1300	1130	960
					"	2-6 CL	"	2510	2160	1960	1730	1530	1330	1130
					24	1	28	2270	1950	1770	1570	1380	1200	1020
					"	2-6 CL	"	2810	2420	2190	1940	1710	1490	1260
					"	2-10 CL	"	2900	2490	2260	2000	1770	1540	1310
1"	VC43	4-1/4" SQ.	32	.020"	14	1	18	1650	1420	1290	1140	1010	880	740
					20	1	24	1740	1500	1360	1200	1060	920	780
					"	2-6 CL	"	2590	2230	2020	1790	1580	1370	1170
					24	1	28	1810	1560	1410	1250	1100	960	820
					"	2-6 CL	"	2830	2430	2210	1950	1730	1500	1270
					"	2-10 CL	"	2820	2430	2200	1950	1720	1500	1270
1"	VC44	4-1/4" SQ.	40	.020"	14	1	18	1880	1620	1470	1300	1150	1000	850
					20	1	24	2040	1750	1590	1410	1240	1080	920
					"	2-6 CL	"	2690	2310	2100	1860	1640	1430	1210
					24	1	28	2140	1840	1670	1480	1310	1130	960
					"	2-6 CL	"	2920	2510	2280	2010	1780	1550	1310
					"	2-10 CL	"	3000	2580	2340	2070	1830	1590	1350

STYLE "ARS"

COPPER/ALUMINUM ELEMENT RATINGS

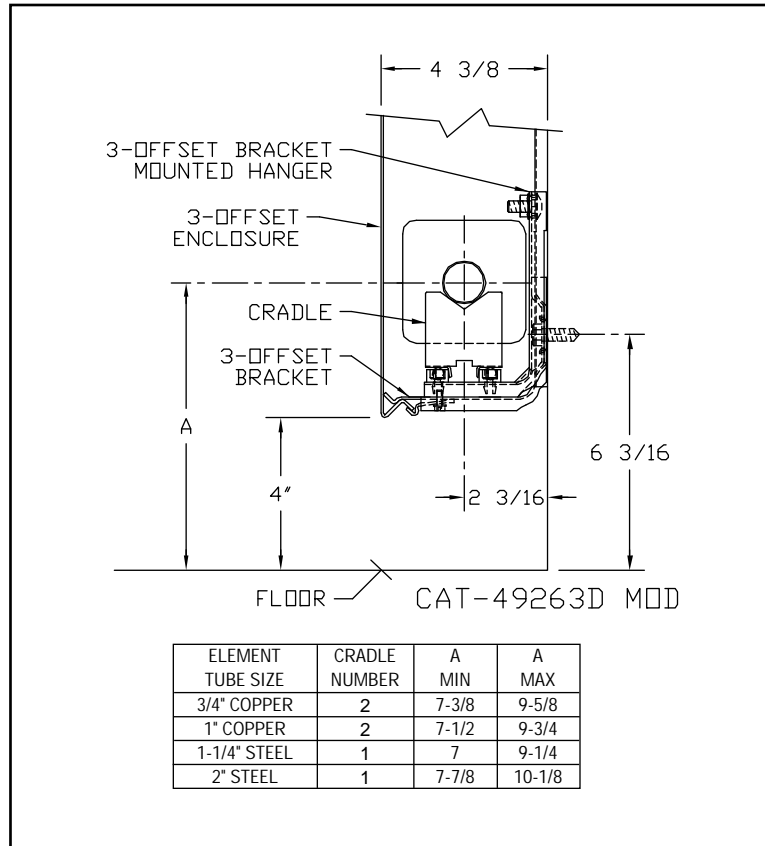
TUBE SIZE	CATALOG DESIGNATION	FIN SIZE WIDTH x HEIGHT	FIN PER FT.	FIN THICKNESS	ENCL HEIGHT IN INCHES	TIERS AND CENTERS IN INCHES	MTG. HEIGHT IN INCHES	STEAM	HOT WATER (AVG.)					
								215°	200°	190°	180°	170°	160°	150°
								FACTOR	FACTOR					
1.00	.86	.78	.69	.61	.53	.45								
1"	VC45	4-1/4" SQ.	50	.020"	14	1	18	2060	1770	1610	1420	1260	1090	930
					20	1	24	2340	2010	1830	1610	1430	1240	1050
					"	2-6 CL	"	2680	2300	2090	1850	1630	1420	1210
					24	1	28	2510	2160	1960	1730	1530	1330	1130
					"	2-6 CL	"	3000	2580	2340	2070	1830	1590	1350
"	2-10 CL	"	3080	2650	2400	2130	1880	1630	1390					
1-1/4"	VC143	4-1/4" SQ.	32	.020"	14	1	18	1620	1390	1260	1120	990	860	730
					20	1	24	1710	1470	1330	1180	1040	910	770
					"	2-6 CL	"	2540	2180	1980	1750	1550	1350	1140
					24	1	28	1770	1520	1380	1220	1080	940	800
					"	2-6 CL	"	2780	2390	2170	1920	1700	1470	1250
"	2-10 CL	"	2770	2380	2160	1910	1690	1470	1250					
1-1/4"	VC144	4-1/4" SQ.	40	.020"	14	1	18	1850	1590	1440	1280	1130	980	830
					20	1	24	2000	1720	1560	1380	1220	1060	900
					"	2-6 CL	"	2640	2270	2060	1820	1610	1400	1190
					24	1	28	2100	1810	1640	1450	1280	1110	950
					"	2-6 CL	"	2870	2470	2240	1980	1750	1520	1290
"	2-10 CL	"	2950	2540	2300	2040	1800	1560	1330					
1-1/4"	VC145	4-1/4" SQ.	50	.020"	14	1	18	2020	1740	1580	1400	1230	1070	910
					20	1	24	2300	1980	1790	1590	1400	1220	1040
					"	2-6 CL	"	2630	2260	2050	1810	1600	1390	1180
					24	1	28	2470	2120	1930	1700	1510	1310	1110
					"	2-6 CL	"	2950	2540	2300	2040	1800	1560	1330
"	2-10 CL	"	3020	2600	2360	2080	1840	1600	1360					

STEEL ELEMENT RATINGS

I.P.S. SIZE	CATALOG DESIGNATION	FIN SIZE DEPTH x HEIGHT	FIN PER FT.	FIN THICKNESS	ENCL HEIGHT IN INCHES	TIERS AND CENTERS IN INCHES	MTG. HEIGHT IN INCHES	STEAM 215° FACTOR 1.00	HOT WATER (AVG.)					
									200°	190°	180°	170°	160°	150°
									FACTOR					
									.86	.78	.69	.61	.53	.45
1"	†VR11	2-3/4" x 3-3/4"	40	.024"	11A	1	15	1290	1110	1010	890	790	680	580
1-1/4"	†VS133	3-1/4" SQ.	32	.032"	"	"	"	920	790	720	640	560	490	410
1-1/4"	†VS134	3-1/4" SQ.	40	.032"	"	"	"	1000	860	780	690	610	530	450
1-1/4"	VS133	3-1/4" SQ.	32	.032"	14	1	18	960	830	750	660	590	510	430
1-1/4"	VS134	3-1/4" SQ.	40	.032"	14	1	18	1120	960	870	770	680	590	500
1-1/4"	VS143	4-1/4" SQ.	32	.032"	14	1	18	1400	1200	1090	970	850	740	630
					20	1	24	1450	1250	1130	1000	880	770	650
					"	2-6 CL	"	2180	1870	1700	1500	1330	1160	980
					24	1	28	1490	1280	1160	1030	910	790	670
					"	2-6 CL	"	2250	1940	1760	1550	1370	1190	1010
"	2-10 CL	"	2280	1960	1780	1570	1390	1210	1030					
1-1/4"	VS144	4-1/4" SQ.	40	.032"	14	1	18	1570	1350	1230	1080	960	830	710
					20	1	24	1670	1440	1300	1150	1020	890	750
					"	2-6 CL	"	2370	2040	1850	1640	1450	1260	1070
					24	1	28	1730	1490	1350	1190	1060	920	780
					"	2-6 CL	"	2480	2130	1930	1710	1510	1310	1120
"	2-10 CL	"	2530	2180	1970	1750	1540	1340	1140					
2"	VS242	4-1/4" SQ.	25	.032"	14	1	18	1200	1030	940	830	730	640	540
					20	1	24	1230	1060	960	850	750	650	550
					"	2-6 CL	"	1930	1660	1510	1330	1180	1020	870
					24	1	28	1250	1080	980	860	760	660	560
					"	2-6 CL	"	1940	1670	1510	1340	1180	1030	870
"	2-10 CL	"	2010	1730	1570	1390	1230	1070	910					
2"	VS243	4-1/4" SQ.	32	.032"	14	1	18	1400	1200	1090	970	850	740	630
					20	1	24	1450	1250	1130	1000	890	770	650
					"	2-6 CL	"	2110	1820	1650	1460	1290	1120	950
					24	1	28	1490	1280	1160	1030	910	790	670
					"	2-6 CL	"	2180	1880	1700	1500	1330	1160	980
"	2-10 CL	"	2260	1940	1760	1560	1380	1200	1020					

Notes: 1) Steel fin furnished as .032 unless otherwise specified, consult factory.
 2) NPT threads furnished on steel elements. Please use domestic fittings for proper installation.

"3" OFFSET



"4" OFFSET

