

# CLASSIC

## Submittal

JV3/V3-AR18LI  
Classic Architectural  
Copper/Aluminum and  
Steel Elements

### Specification

JV3 Slip Jointed Enclosure

**ENCLOSURE:**

STYLE: Classic Louvered Inlet  
OUTLET: Extruded Aluminum  
Pencil Proof

LENGTHS: 2'0" thru 8'0" in 6" Increments  
MAT'L:  16 Ga. CRS (Std)  
 14 Ga. CRS (Opt'l)  
 16 Ga. Stainless Steel (Opt'l)\*  
 14 Ga. Stainless Steel (Opt'l)\*  
 14 Ga. Aluminum (Opt'l)  
 12 Ga. Aluminum (Opt'l)  
\*Available on "J" Style Only  
FINISH:  Baked Powder (Std)  
 Baked Metallic

**FLOOR ANGLE:**

Ext. Al (Clear Anodized)  
 1" x 1" CRS Painted

**ACCESSORIES:**

JV3 Overlapping Type  
 V3 Underlapping Type

**ELEMENT:**

TYPE:  Cu/Al (Mechanically Expanded)  
LENGTHS: 2'0" thru 12'6" in 1" Increments for 1" & 1-1/4" Cu.  
2'0" thru 8'0" in 1" Increments for 3/4" Cu.  
One End Flared, (Std)  
TYPE:  IPS Steel (Mechanically Expanded)  
LENGTHS: 2'0" Thru 12'0" in 1" Increments  
 NPT Thread both Ends (Std)  
 Beveled Ends for Field Weld

See Catalog for Working Pressures

V3 Wiped Edge Enclosure

**BACKPLATE:**

TYPE:  Partial B/P  
LENGTHS: 8'0" Only  
MAT'L:  20 Ga. Prepainted (Std)  
 18 Ga. Galvannealed (Opt'l)  
TYPE:  Full Ht. B/P (Opt'l)  
LENGTHS: 2'0" thru 8'0" in 6" Increments  
MAT'L:  20 Ga. Galvannealed (Opt'l)  
 20 Ga. Painted (Opt'l)  
 18 Ga. Painted (Opt'l)

**AIRSEAL:**

1/8" x 3/8" Closed Cell (Opt'l)

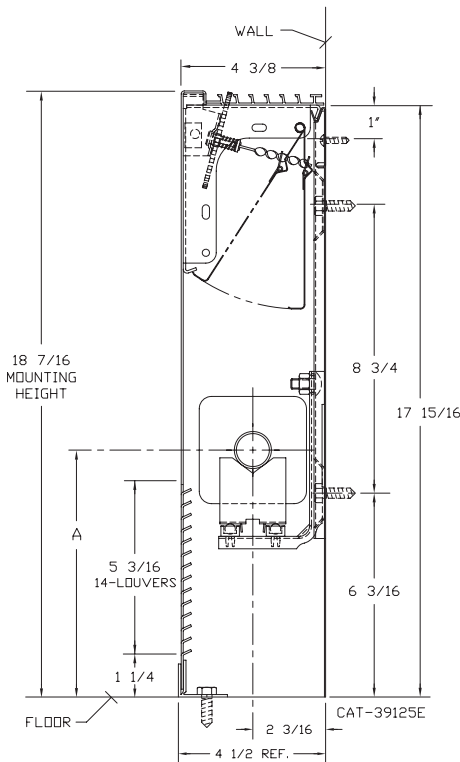
**BRACKETS:**

Vertical Wall Brkt w/B.B. Hgr

**DAMPER:**

Dial Type (Opt'l)  
 Tamper Resistant (Opt'l)

**JV3/V3-AR18LI**  
(JV3 Shown)



ELEMENT TUBE SIZE	FIN SIZE HEIGHT x WIDTH	CRADLE NUMBER	A	
			MIN.	MAX.
3/4 COPPER	3 1/4 x 3 1/4	2	7"	9 1/2"
1" COPPER	3 1/4 x 3 1/4	2	7 1/4"	9 5/8"
1 1/4 COPPER	3 1/4 x 3 1/4	1	7"	9 1/8"
1" STEEL	3 1/4 x 3 1/4	2	7 1/4"	9 3/4"
1 1/4 STEEL	3 1/4 x 3 1/4	1	7"	9 1/4"



260 North Elm St., Westfield, MA 01085  
(413) 568-9571 Fax: (413) 564-5661  
www.vulcanrad.com



PROJECT: \_\_\_\_\_ DATE: \_\_\_\_\_  
LOCATION: \_\_\_\_\_  
ARCHITECT: \_\_\_\_\_  
ENGINEER: \_\_\_\_\_  
CONTRACTOR: \_\_\_\_\_  
PO NUMBER: \_\_\_\_\_

# STYLE JV3/V3-AR18LI

## COPPER/ALUMINUM ELEMENT RATINGS

ALL RATINGS ARE BASED ON 3 FPS WATER VELOCITY, 65° EAT.

TUBE SIZE	CATALOG DESIGNATION	FIN SIZE HEIGHT X WIDTH	FIN PER FT.	FIN THICKNESS	ENCL. HEIGHT	TIERS OF ELEMENT	MTG. HEIGHT	STEAM RATING 215°F, 65°F E. A. T. BTU/FT/HR	HOT WATER RATINGS BTU/FT/HR AWT						
									180°	170°	160°	150°	140°	130°	120°
									0.69	0.61	0.53	0.45	.40	.33	.26
3/4"	VC3/4-33	3-1/4" SQ.	32	.020	18-7/16	1	18-7/16	1050	720	640	560	470	420	350	270
3/4"	VC3/4-34	3-1/4" SQ.	40	.020	18-7/16	1	18-7/16	1230	850	750	650	550	490	410	320
3/4"	VC3/4-35	3-1/4" SQ.	50	.020	18-7/16	1	18-7/16	1370	950	840	730	620	550	450	360
1"	VC33	3-1/4" SQ.	32	.020	18-7/16	1	18-7/16	1130	780	690	600	510	450	370	290
1"	VC34	3-1/4" SQ.	40	.020	18-7/16	1	18-7/16	1270	880	770	670	570	510	420	330
1"	VC35	3-1/4" SQ.	50	.020	18-7/16	1	18-7/16	1320	910	810	700	590	530	440	340
1 1/4"	VC133	3-1/4" SQ.	32	.020	18-7/16	1	18-7/16	960	660	590	510	430	380	320	250
1 1/4"	VC134	3-1/4" SQ.	40	.020	18-7/16	1	18-7/16	1130	780	690	600	510	450	370	290
1 1/4"	VC135	3-1/4" SQ.	50	.020	18-7/16	1	18-7/16	1270	880	770	670	570	510	420	330

## STEEL ELEMENT RATINGS\*

ALL RATINGS ARE BASED ON 3 FPS WATER VELOCITY, 65° EAT.

I.P.S. SIZE	CATALOG DESIGNATION	FIN SIZE HEIGHT X WIDTH	FIN PER FT.	FIN THICKNESS	ENCL. HEIGHT	TIERS OF ELEMENT	MTG. HEIGHT	STEAM RATING 215°F, 65°F E. A. T. BTU/FT/HR	HOT WATER RATINGS BTU/FT/HR AWT						
									180°	170°	160°	150°	140°	130°	120°
									0.69	0.61	0.53	0.45	.40	.33	.26
1"	VS33	3-1/4" SQ.	32	.032	18-7/16	1	18-7/16	880	610	540	470	400	350	290	230
1"	VS34	3-1/4" SQ.	40	.032	18-7/16	1	18-7/16	970	670	590	510	440	390	320	250
1"	VS35	3-1/4" SQ.	50	.032	18-7/16	1	18-7/16	1040	720	630	550	470	420	340	270
1-1/4"	VS133	3-1/4" SQ.	32	.032	18-7/16	1	18-7/16	870	600	530	460	390	350	290	230
1-1/4"	VS134	3-1/4" SQ.	40	.032	18-7/16	1	18-7/16	980	680	600	520	440	390	320	250
1-1/4"	VS135	3-1/4" SQ.	50	.032	18-7/16	1	18-7/16	1020	700	620	540	460	410	340	270

\* Male NPT threads furnished on steel elements. Please use domestic fittings for proper installation.