

CLASSIC

Submittal

JV3/V3-AR14
Classic Architectural
Copper/Aluminum and
Steel Elements

Specification

JV3 Slip Jointed Enclosure

ENCLOSURE:

STYLE: Classic
OUTLET: Extruded Aluminum Grille
Pencil Proof

LENGTHS: 2'0" thru 8'0" in 6" Increments
MAT'L: 16 Ga. CRS (Std)
 14 Ga. CRS (Opt'l)
 16 Ga. Stainless Steel (Opt'l)*
 14 Ga. Stainless Steel (Opt'l)*
 14 Ga. Aluminum (Opt'l)
 12 Ga. Aluminum (Opt'l)
*Available on "J" Style Only
FINISH: Baked Powder (Std)
 Baked Metallic

ACCESSORIES:

JV3 Overlapping Type
 V3 Underlapping Type
Accessories return to the wall at the bottom
and have pre-punched holes for fastening to
the wall.

ELEMENT:

TYPE: Cu/Al (Mechanically
Expanded)
LENGTHS: 2'0" thru 12'6" in 1" Increments
for 1" & 1-1/4" Cu.
2'0" thru 8'0" in 1" Increments
for 3/4" Cu.

One End Flared, (Std)

TYPE: IPS Steel (Mechanically
Expanded)

LENGTHS: 2'0" Thru 12'0" in 1" Increments
 NPT Thread both Ends Std.
 Beveled Ends for Field Weld

See Catalog for Working
Pressures

V3 Wiped Edge Enclosure

BACKPLATE:

TYPE: Partial B/P
LENGTHS: 8'0" Only
MAT'L: 20 Ga. Prepainted (Std)
 18 Ga. Galvannealed (Opt'l)

TYPE: Full Ht. B/P (Opt'l)
LENGTHS: 2'0" thru 8'0" in 6" Increments
MAT'L: 20 Ga. Galvannealed (Opt'l)
 20 Ga. Painted (Opt'l)
 18 Ga. Painted (Opt'l)

AIRSEAL:

1/8" x 3/8" Closed Cell (Opt'l)

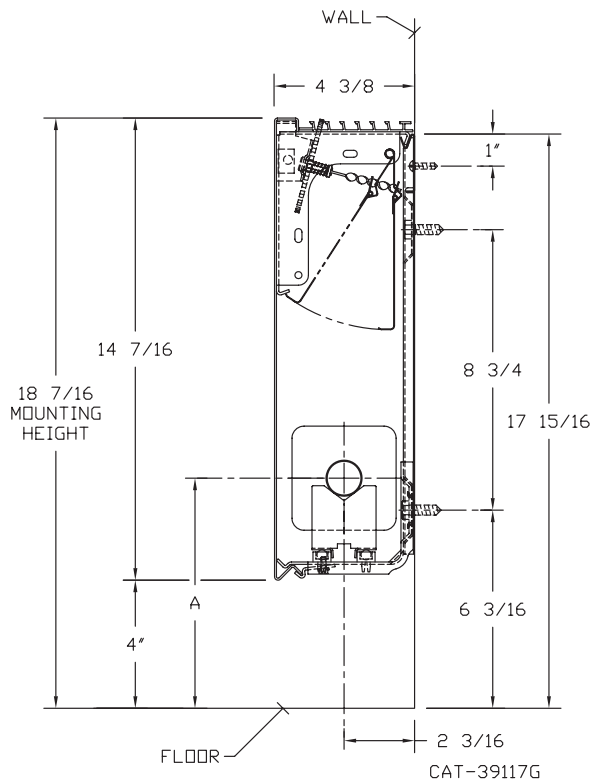
BRACKETS:

Water Brkt w/B.B.
 Steam Brkt w/Brkt Mtd
B.B. Hgr

DAMPER:

Dial Type (Opt'l)
 Tamper Resistant (Opt'l)

JV3/V3-AR14
(JV3 Shown)



ELEMENT TUBE SIZE	FIN SIZE HEIGHT x WIDTH	CRADLE NUMBER	A
3/4 COPPER	3 1/4 x 3 1/4	2	7"
1" COPPER	3 1/4 x 3 1/4	2	7 3/16
1 1/4 COPPER	3 1/4 x 3 1/4	1	6 5/8
1" STEEL	3 1/4 x 3 1/4	2	7 5/16
1 1/4 STEEL	3 1/4 x 3 1/4	1	6 13/16



260 North Elm St., Westfield, MA 01085
(413) 568-9571 Fax: (413) 564-5661
www.vulcanrad.com



PROJECT: _____ DATE: _____
LOCATION: _____
ARCHITECT: _____
ENGINEER: _____
CONTRACTOR: _____
PO NUMBER: _____

STYLE JV3/V3-AR14

COPPER/ALUMINUM ELEMENT RATINGS

ALL RATINGS ARE BASED ON 3 FPS WATER VELOCITY, 65° EAT.

TUBE SIZE	CATALOG DESIGNATION	FIN SIZE HEIGHT X WIDTH	FIN PER FT.	FIN THICKNESS	ENCL. HEIGHT	TIERS OF ELEMENT	MTG. HEIGHT	STEAM RATING 215°F, 65°F E.A.T. BTU/FT/HR	HOT WATER RATINGS BTU/FT/HR AWT						
									180°	170°	160°	150°	140°	130°	120°
									0.69	0.61	0.53	0.45	.40	.33	.26
3/4"	VC3/4-33	3-1/4" SQ.	32	.020	14-7/16	1	18-7/16	1050	720	640	560	470	420	350	270
3/4"	VC3/4-34	3-1/4" SQ.	40	.020	14-7/16	1	18-7/16	1230	850	750	650	550	490	410	320
3/4"	VC3/4-35	3-1/4" SQ.	50	.020	14-7/16	1	18-7/16	1370	950	840	730	620	550	450	360
1"	VC33	3-1/4" SQ.	32	.020	14-7/16	1	18-7/16	1130	780	690	600	510	450	370	290
1"	VC34	3-1/4" SQ.	40	.020	14-7/16	1	18-7/16	1270	880	770	670	570	510	420	330
1"	VC35	3-1/4" SQ.	50	.020	14-7/16	1	18-7/16	1320	910	810	700	590	530	440	340
1 1/4"	VC133	3-1/4" SQ.	32	.020	14-7/16	1	18-7/16	960	660	590	510	430	380	320	250
1 1/4"	VC134	3-1/4" SQ.	40	.020	14-7/16	1	18-7/16	1130	780	690	600	510	450	370	290
1 1/4"	VC135	3-1/4" SQ.	50	.020	14-7/16	1	18-7/16	1270	880	770	670	570	510	420	330

► **Bold, italicized units are ASME CERTIFIED rated** ◀

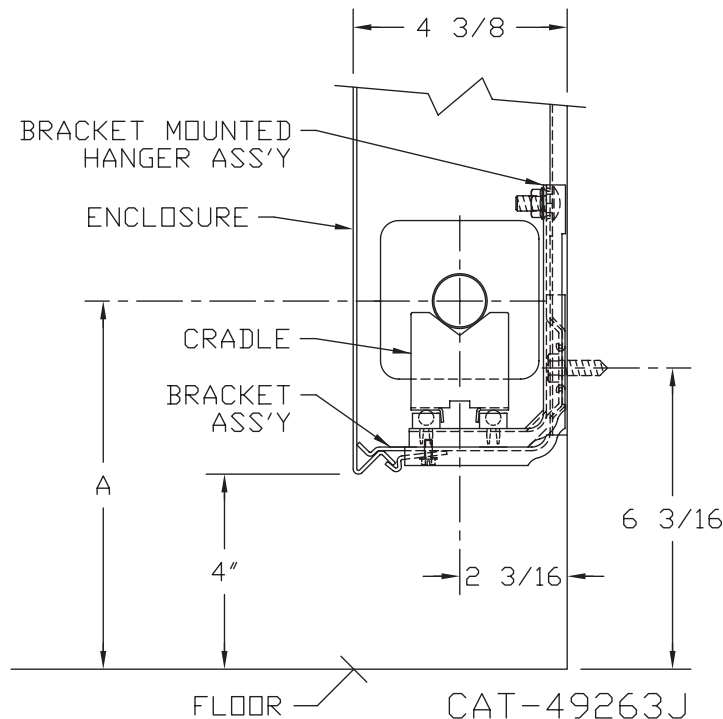
STEEL ELEMENT RATINGS*

ALL RATINGS ARE BASED ON 3 FPS WATER VELOCITY, 65° EAT.

I.P.S. SIZE	CATALOG DESIGNATION	FIN SIZE HEIGHT X WIDTH	FIN PER FT.	FIN THICKNESS	ENCL. HEIGHT	TIERS OF ELEMENT	MTG. HEIGHT	STEAM RATING 215°F, 65°F E.A.T. BTU/FT/HR	HOT WATER RATINGS BTU/FT/HR AWT						
									180°	170°	160°	150°	140°	130°	120°
									0.69	0.61	0.53	0.45	.40	.33	.26
1"	VS33	3-1/4" SQ.	32	.032	14-7/16	1	18-7/16	880	610	540	470	400	350	290	230
1"	VS34	3-1/4" SQ.	40	.032	14-7/16	1	18-7/16	970	670	590	510	440	390	320	250
1"	VS35	3-1/4" SQ.	50	.032	14-7/16	1	18-7/16	1040	720	630	550	470	420	340	270
1-1/4"	VS133	3-1/4" SQ.	32	.032	14-7/16	1	18-7/16	870	600	530	460	390	350	290	230
1-1/4"	VS134	3-1/4" SQ.	40	.032	14-7/16	1	18-7/16	980	680	600	520	440	390	320	250
1-1/4"	VS135	3-1/4" SQ.	50	.032	14-7/16	1	18-7/16	1020	700	620	540	460	410	340	270

* Male NPT threads furnished on steel elements. Please use domestic fittings for proper installation.

OPTIONAL BRACKET MOUNTED HANGER INSTALLATION



ELEMENT TUBE SIZE	FIN SIZE HEIGHT x WIDTH	CRADLE NUMBER	A	
			MIN.	MAX.
3/4" COPPER	3 1/4 x 3 1/4	2	7 3/8	9 5/8
1" COPPER	3 1/4 x 3 1/4	2	7 1/2	9 3/4
1 1/4" COPPER	3 1/4 x 3 1/4	2	7 5/8	9 7/8
1" STEEL	3 1/4 x 3 1/4	2	7 5/8	9 3/4
1 1/4" STEEL	3 1/4 x 3 1/4	1	7 3/16	9 3/8