

CLASSIC

Submittal

JV3/V3-AR10LI
Classic Architectural
Copper/Aluminum and
Steel Elements

Specification

JV3 Slip Jointed Enclosure

ENCLOSURE:

STYLE: Classic Louvered Inlet
OUTLET: Extruded Aluminum
Pencil Proof

LENGTHS: 2'0" thru 8'0" in 6" Increments
MAT'L: 16 Ga. CRS (Std)
 14 Ga. CRS (Opt'l)
 16 Ga. Stainless Steel (Opt'l)*
 14 Ga. Stainless Steel (Opt'l)*
 14 Ga. Aluminum (Opt'l)
 12 Ga. Aluminum (Opt'l)
*Available on "J" Style Only
FINISH: Baked Powder (Std)
 Baked Metallic

FLOOR ANGLE:

Ext. Al (Clear Anodized)

ACCESSORIES:

JV3 Overlapping Type
 V3 Underlapping Type

ELEMENT:

TYPE: Cu/Al (Mechanically Expanded)
LENGTHS: 2'0" thru 12'6" in 1" Increments for 1" & 1-1/4" Cu.
2'0" thru 8'0" in 1" Increments for 3/4" Cu.
One End Flared, (Std)
TYPE: IPS Steel (Mechanically Expanded)
LENGTHS: 2'0" Thru 12'0" in 1" Increments
 NPT Thread both Ends (Std)
 Beveled Ends for Field Weld

See Catalog for Working Pressures

V3 Wiped Edge Enclosure

BACKPLATE:

TYPE: Partial B/P
LENGTHS: 8'0" Only
MAT'L: 20 Ga. Prepainted (Std)
 18 Ga. Galvannealed (Opt'l)
TYPE: Full Ht. B/P (Opt'l)
LENGTHS: 2'0" thru 8'0" in 6" Increments
MAT'L: 20 Ga. Galvannealed (Opt'l)
 20 Ga. Painted (Opt'l)
 18 Ga. Painted (Opt'l)

AIRSEAL:

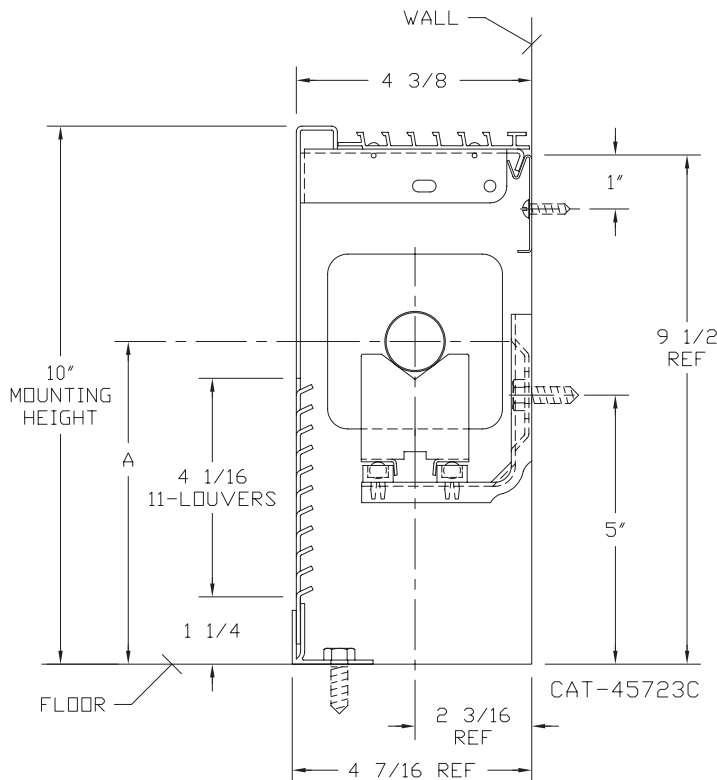
1/8" x 3/8" Closed Cell (Opt'l)

BRACKETS:

B.B. Hgr Wall Mtd. 3

DAMPER: Not Available

JV3/V3-AR10LI
(JV3 Shown)



ELEMENT TUBE SIZE	FIN SIZE HEIGHT x WIDTH	CRADLE NUMBER	A
3/4 COPPER	3 1/4 x 3 1/4	2	5 13/16
1" COPPER	3 1/4 x 3 1/4	2	6"
1 1/4 COPPER	3 1/4 x 3 1/4	1	5 7/16
1" STEEL	3 1/4 x 3 1/4	2	6 1/8
1 1/4 STEEL	3 1/4 x 3 1/4	1	5 5/8



260 North Elm St., Westfield, MA 01085
(413) 568-9571 Fax: (413) 564-5661
www.vulcanrad.com



PROJECT: _____ DATE: _____
LOCATION: _____
ARCHITECT: _____
ENGINEER: _____
CONTRACTOR: _____
PO NUMBER: _____

STYLE JV3/V3-AR10LI

COPPER/ALUMINUM ELEMENT RATINGS

ALL RATINGS ARE BASED ON 3 FPS WATER VELOCITY, 65° EAT.

TUBE SIZE	VCATALOG DESIGNATION	FIN SIZE HEIGHT X WIDTH	FIN PER FT.	FIN THICKNESS	ENVCL. HEIGHT	TIERS OF ELEMENT	MTG. HEIGHT	STEAM RATING 215°F, 65°F E.A.T. BTU/FT/HR	HOT WATER RATINGS BTU/FT/HR AWT						
									180°	170°	160°	150°	140°	130°	120°
									0.69	0.61	0.53	0.45	.40	.33	.26
3/4"	VC3/4-33	3-1/4" SQ.	32	.020	10"	1	10"	780	540	480	410	350	310	260	200
3/4"	VC3/4-34	3-1/4" SQ.	40	.020	10"	1	10"	950	660	580	500	430	380	310	250
3/4"	VC3/4-35	3-1/4" SQ.	50	.020	10"	1	10"	960	660	590	510	430	380	320	250
1"	VC33	3-1/4" SQ.	32	.020	10"	1	10"	800	550	490	420	360	320	260	210
1"	VC34	3-1/4" SQ.	40	.020	10"	1	10"	920	630	560	490	410	370	300	240
1"	VC35	3-1/4" SQ.	50	.020	10"	1	10"	930	640	570	490	420	370	310	240
1 1/4"	VC133	3-1/4" SQ.	32	.020	10"	1	10"	770	530	470	410	350	310	250	200
1 1/4"	VC134	3-1/4" SQ.	40	.020	10"	1	10"	880	610	540	470	400	350	290	230
1 1/4"	VC135	3-1/4" SQ.	50	.020	10"	1	10"	890	610	540	470	400	360	290	230

STEEL ELEMENT RATINGS*

ALL RATINGS ARE BASED ON 3 FPS WATER VELOCITY, 65° EAT.

I.P.S. SIZE	CATALOG DESIGNATION	FIN SIZE HEIGHT X WIDTH	FIN PER FT.	FIN THICKNESS	ENCL. HEIGHT	TIERS OF ELEMENT	MTG. HEIGHT	STEAM RATING 215°F, 65°F E.A.T. BTU/FT/HR	HOT WATER RATINGS BTU/FT/HR AWT						
									180°	170°	160°	150°	140°	130°	120°
									0.69	0.61	0.53	0.45	.40	.33	.26
1"	VS33	3-1/4" SQ.	32	.032	10"	1	10"	740	510	450	390	330	300	240	190
1"	VS34	3-1/4" SQ.	40	.032	10"	1	10"	815	560	500	430	370	330	270	210
1"	VS35	3-1/4" SQ.	50	.032	10"	1	10"	855	590	520	450	380	340	280	220
1-1/4"	VS133	3-1/4" SQ.	32	.032	10"	1	10"	730	500	450	390	330	290	240	190
1-1/4"	VS134	3-1/4" SQ.	40	.032	10"	1	10"	825	570	500	440	370	330	270	210
1-1/4"	VS135	3-1/4" SQ.	50	.032	10"	1	10"	840	580	510	450	380	340	280	220

* Male NPT threads furnished on steel elements. Please use domestic fittings for proper installation.