

CLASSIC

Submittal

JV3-ARS11 & 14
Classic Architectural
Copper/Aluminum and
Steel Elements

JV3 Slip Jointed Enclosure

Specification

ENCLOSURE:

- STYLE: Classic Slope
 OUTLET: Extruded Aluminum
 Pencil Proof
- LENGTHS: 2'0" thru 8'0" in 6" Increments
 MAT'L: 16 Ga. CRS (Std)
 14 Ga. CRS (Opt'l)
 16 Ga. Stainless Steel (Opt'l)
 14 Ga. Stainless Steel (Opt'l)
 14 Ga. Aluminum (Opt'l)
 12 Ga. Aluminum (Opt'l)
- HEIGHT: 11"
 14"
- FINISH: Baked Powder (Std)
 Baked Metallic

ACCESSORIES:

- All Accessories are Overlapping Type
 All accessories return to the wall at the bottom
 and have pre-punched holes for fastening to
 the wall

ELEMENT:

- TYPE: Cu/Al (Mechanically
 Expanded)
 LENGTHS: 2'0" thru 12'6" in 1" Increments
 for 1" & 1-1/4" Cu.
 2'0" thru 8'0" in 1" Increments
 for 3/4" Cu
- One End Flared, (Std)
- TYPE: IPS Steel (Mechanically
 Expanded)
 LENGTHS: 2'0" Thru 12'0" in 1" Increments
 NPT Thread Both Ends (Std)
 Beveled Ends for Field Weld
- See Catalog for Working
 Pressures

BACKPLATE:

- TYPE: Partial B/P
 LENGTHS: 8'0" Only
 MAT'L: 20 Ga. Prepainted (Std)
 18 Ga. Galvannealed (Opt'l)
- TYPE: Full Ht. B/P (Opt'l)
 LENGTHS: 2'0" thru 8'0" in 6" Increments
 MAT'L: 20 Ga. Galvannealed (Opt'l)
 20 Ga. Painted (Opt'l)
 18 Ga. Painted (Opt'l)

AIRSEAL:

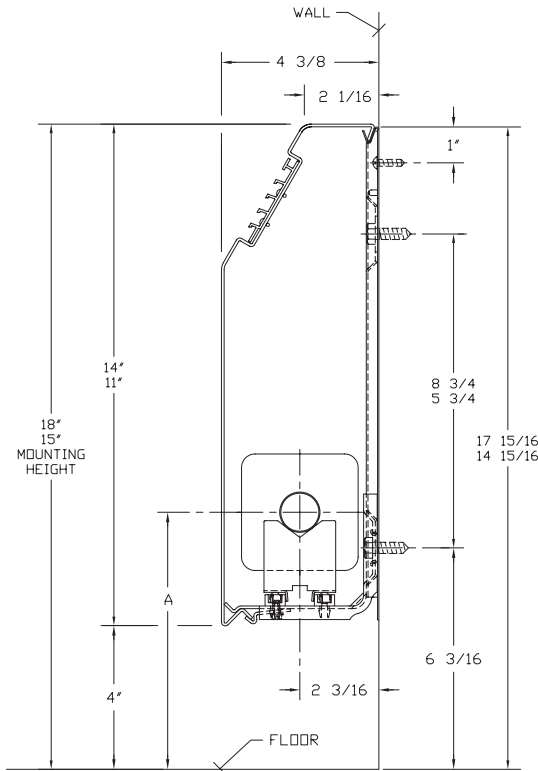
- 1/8" x 3/8" Closed Cell (Opt'l)

BRACKETS:

- Water Brkt w/B.B.
 Steam Brkt w/Brkt Mtd
 B.B. Hgr

DAMPER: Not Available

JV3-ARS11 & 14



| ELEMENT TUBE SIZE | FIN SIZE HEIGHT x WIDTH | CRADLE NUMBER | A |
|----------------------|----------------------------|------------------|---------|
| 3/4 COPPER | 3 1/4 x 3 1/4 | 2 | 7" |
| 1" COPPER | 3 1/4 x 3 1/4 | 2 | 7 3/16 |
| 1 1/4 COPPER | 3 1/4 x 3 1/4 | 1 | 6 5/8 |
| 1" STEEL | 3 1/4 x 3 1/4 | 2 | 7 5/16 |
| 1 1/4 STEEL | 3 1/4 x 3 1/4 | 1 | 6 13/16 |

CAT-68166C

Vulcan

R A D I A T O R

260 North Elm St., Westfield, MA 01085
 (413) 568-9571 Fax: (413) 564-5661
 www.vulcanrad.com



PROJECT: _____ DATE: _____
 LOCATION: _____
 ARCHITECT: _____
 ENGINEER: _____
 CONTRACTOR: _____
 PO NUMBER: _____

STYLE JV3-ARS11 & 14

COPPER/ALUMINUM ELEMENT RATINGS

ALL RATINGS ARE BASED ON 3 FPS WATER VELOCITY, 65° EAT.

| TUBE SIZE | CATALOG DESIGNATION | FIN SIZE HEIGHT X WIDTH | FIN PER FT. | FIN THICKNESS | ENCL. HEIGHT | TIERS OF ELEMENT | MTG. HEIGHT | STEAM RATING 215°F, 65°F E.A.T. BTU/FT/HR | HOT WATER RATINGS BTU/FT/HR AWT | | | | | | |
|-----------|---------------------|-------------------------|-------------|---------------|--------------|------------------|-------------|---|---------------------------------|------|------|------|------|------|------|
| | | | | | | | | | 180° | 170° | 160° | 150° | 140° | 130° | 120° |
| | | | | | | | | | 0.69 | 0.61 | 0.53 | 0.45 | .40 | .33 | .26 |
| 3/4" | VC3/4-33 | 3-1/4" SQ. | 32 | .020 | 11" | 1 | 15" | 1000 | 690 | 610 | 530 | 450 | 400 | 330 | 260 |
| 3/4" | VC3/4-34 | 3-1/4" SQ. | 40 | .020 | 11" | 1 | 15" | 1180 | 810 | 720 | 630 | 530 | 470 | 390 | 310 |
| 3/4" | VC3/4-35 | 3-1/4" SQ. | 50 | .020 | 11" | 1 | 15" | 1320 | 910 | 810 | 700 | 590 | 530 | 440 | 340 |
| 3/4" | VR01 | 2-1/2" x 2-1/4" | 50 | .011 | 11" | 1 | 15" | 710 | 490 | 430 | 380 | 320 | 280 | 230 | 180 |
| 3/4" | VR02 | 2-1/2" x 2-3/4" | 60 | .011 | 11" | 1 | 15" | 950 | 660 | 580 | 500 | 430 | 380 | 310 | 250 |
| 3/4" | VR04 | 3-3/4" x 2-3/4" | 50 | .011 | 11" | 1 | 15" | 980 | 680 | 600 | 520 | 440 | 390 | 320 | 250 |
| 1" | VC33 | 3-1/4" SQ. | 32 | .020 | 11" | 1 | 15" | 980 | 680 | 600 | 520 | 440 | 390 | 320 | 250 |
| 1" | VC34 | 3-1/4" SQ. | 40 | .020 | 11" | 1 | 15" | 1150 | 790 | 700 | 610 | 520 | 460 | 380 | 300 |
| 1" | VC35 | 3-1/4" SQ. | 50 | .020 | 11" | 1 | 15" | 1260 | 870 | 770 | 670 | 570 | 500 | 420 | 330 |
| 1" | VR03 | 2-1/2" x 2-3/4" | 55 | .011 | 11" | 1 | 15" | 920 | 630 | 560 | 490 | 410 | 370 | 300 | 240 |
| 1" | VR05 | 3-3/4" x 2-3/4" | 50 | .011 | 11" | 1 | 15" | 990 | 680 | 600 | 520 | 450 | 400 | 330 | 260 |
| 1 1/4" | VC133 | 3-1/4" SQ. | 32 | .020 | 11" | 1 | 15" | 920 | 630 | 560 | 490 | 410 | 370 | 300 | 240 |
| 1 1/4" | VC134 | 3-1/4" SQ. | 40 | .020 | 11" | 1 | 15" | 1080 | 750 | 660 | 570 | 490 | 430 | 360 | 280 |
| 1 1/4" | VC135 | 3-1/4" SQ. | 50 | .020 | 11" | 1 | 15" | 1190 | 820 | 730 | 630 | 540 | 480 | 390 | 310 |
| 3/4" | VC3/4-33 | 3-1/4" SQ. | 32 | .020 | 14" | 1 | 18" | 1080 | 750 | 660 | 570 | 490 | 430 | 360 | 280 |
| 3/4" | VC3/4-34 | 3-1/4" SQ. | 40 | .020 | 14" | 1 | 18" | 1290 | 890 | 790 | 680 | 580 | 520 | 430 | 340 |
| 3/4" | VC3/4-35 | 3-1/4" SQ. | 50 | .020 | 14" | 1 | 18" | 1440 | 990 | 880 | 760 | 650 | 580 | 480 | 370 |
| 1" | VC33 | 3-1/4" SQ. | 32 | .021 | 14" | 1 | 18" | 1060 | 730 | 650 | 560 | 480 | 420 | 350 | 280 |
| 1" | VC34 | 3-1/4" SQ. | 40 | .020 | 14" | 1 | 18" | 1250 | 860 | 760 | 660 | 560 | 500 | 410 | 330 |
| 1" | VC35 | 3-1/4" SQ. | 50 | .020 | 14" | 1 | 18" | 1370 | 950 | 840 | 730 | 620 | 550 | 450 | 360 |
| 1 1/4" | VC133 | 3-1/4" SQ. | 32 | .020 | 14" | 1 | 18" | 1020 | 700 | 620 | 540 | 460 | 410 | 340 | 270 |
| 1 1/4" | VC134 | 3-1/4" SQ. | 40 | .020 | 14" | 1 | 18" | 1190 | 820 | 730 | 630 | 540 | 480 | 390 | 310 |
| 1 1/4" | VC135 | 3-1/4" SQ. | 50 | .020 | 14" | 1 | 18" | 1330 | 920 | 810 | 700 | 600 | 530 | 440 | 350 |

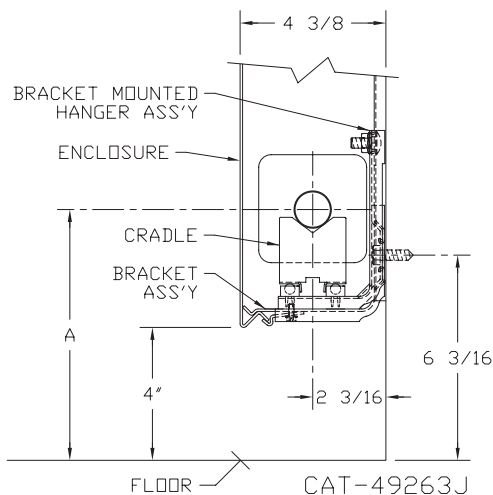
STEEL ELEMENT RATINGS*

ALL RATINGS ARE BASED ON 3 FPS WATER VELOCITY, 65° EAT.

| I.P.S. SIZE | CATALOG DESIGNATION | FIN SIZE HEIGHT X WIDTH | FIN PER FT. | FIN THICKNESS | ENCL. HEIGHT | TIERS OF ELEMENT | MTG. HEIGHT | STEAM RATING 215°F, 65°F E.A.T. BTU/FT/HR | HOT WATER RATINGS BTU/FT/HR AWT | | | | | | |
|-------------|---------------------|-------------------------|-------------|---------------|--------------|------------------|-------------|---|---------------------------------|------|------|------|------|------|------|
| | | | | | | | | | 180° | 170° | 160° | 150° | 140° | 130° | 120° |
| | | | | | | | | | 0.69 | 0.61 | 0.53 | 0.45 | .40 | .33 | .26 |
| 1" | VR11 | 3-3/4" x 2-3/4" | 40 | .024 | 11" | 1 | 15" | 880 | 610 | 540 | 470 | 400 | 350 | 290 | 230 |
| 1" | VS33 | 3-1/4" SQ. | 32 | .032 | 11" | 1 | 15" | 930 | 640 | 570 | 490 | 420 | 370 | 310 | 240 |
| 1" | VS34 | 3-1/4" SQ. | 40 | .032 | 11" | 1 | 15" | 990 | 680 | 600 | 520 | 450 | 400 | 330 | 260 |
| 1" | VS35 | 3-1/4" SQ. | 50 | .032 | 11" | 1 | 15" | 1055 | 730 | 640 | 560 | 470 | 420 | 350 | 270 |
| 1-1/4" | VS133 | 3-1/4" SQ. | 32 | .032 | 11" | 1 | 15" | 920 | 630 | 560 | 490 | 410 | 370 | 300 | 240 |
| 1-1/4" | VS134 | 3-1/4" SQ. | 40 | .032 | 11" | 1 | 15" | 1000 | 690 | 610 | 530 | 450 | 400 | 330 | 260 |
| 1-1/4" | VS135 | 3-1/4" SQ. | 50 | .032 | 11" | 1 | 15" | 1030 | 710 | 630 | 550 | 460 | 410 | 340 | 270 |
| 1" | VS33 | 3-1/4" SQ. | 32 | .032 | 14" | 1 | 18" | 970 | 670 | 590 | 510 | 440 | 390 | 320 | 250 |
| 1" | VS34 | 3-1/4" SQ. | 40 | .032 | 14" | 1 | 18" | 1110 | 770 | 680 | 590 | 500 | 440 | 370 | 290 |
| 1" | VS35 | 3-1/4" SQ. | 50 | .032 | 14" | 1 | 18" | 1180 | 810 | 720 | 630 | 530 | 470 | 390 | 310 |
| 1-1/4" | VS133 | 3-1/4" SQ. | 32 | .032 | 14" | 1 | 18" | 960 | 660 | 590 | 510 | 430 | 380 | 320 | 250 |
| 1-1/4" | VS134 | 3-1/4" SQ. | 40 | .032 | 14" | 1 | 18" | 1120 | 770 | 680 | 590 | 500 | 450 | 370 | 290 |
| 1-1/4" | VS135 | 3-1/4" SQ. | 50 | .032 | 14" | 1 | 18" | 1150 | 790 | 700 | 610 | 520 | 460 | 380 | 300 |

* Male NPT threads furnished on steel elements. Please use domestic fittings for proper installation.

BRACKET MOUNTED HANGER INSTALLATION FOR STEAM APPLICATIONS



| ELEMENT TUBE SIZE | FIN SIZE HEIGHT X WIDTH | CRADLE NUMBER | Δ | |
|-------------------|-------------------------|---------------|--------|-------|
| | | | MIN. | MAX. |
| 3/4" COPPER | 3 1/4 x 3 1/4 | 2 | 7 3/8 | 9 5/8 |
| 1" COPPER | 3 1/4 x 3 1/4 | 2 | 7 1/2 | 9 3/4 |
| 1 1/4" COPPER | 3 1/4 x 3 1/4 | 2 | 7 5/8 | 9 7/8 |
| 1" STEEL | 3 1/4 x 3 1/4 | 2 | 7 5/8 | 9 3/4 |
| 1 1/4" STEEL | 3 1/4 x 3 1/4 | 1 | 7 3/16 | 9 3/8 |