

CLASSIC

Submittal

JV2 V2-AR11
Classic Architectural
Copper/Aluminum and
Steel Elements

Specification

JV2 Slip Jointed Enclosure

ENCLOSURE:

- STYLE: Classic
 OUTLET: Extruded Aluminum
 Pencil Proof
- LENGTHS: 2' thru 8' in 6" Increments
 MAT'L: 16 Ga. CRS STD.
 14 Ga. CRS (Opt'l)
 FINISH: Baked Enamel Std.
 16 Ga. Stainless Steel (Opt'l)*
 14 Ga. Stainless Steel (Opt'l)*
 14 Ga. Aluminum (Opt'l)*
 12 Ga. Aluminum (Opt'l)*
 * Available on "J" Style only

ACCESSORIES:

- JV2 Overlapping Type
 V2 Underlapping Type
 All accessories return to the wall at the bottom and have pre-punched holes for fastening to the wall.

ELEMENT:

- TYPE: Cu/Al (Mechanically Expanded)
 LENGTHS: 2'0" thru 12'6" in 1" Increments for 1" & 1-1/4"Cu.
 2' thru 8' in 1" Increments for 3/4"Cu.
 One End Flared, Std.
- TYPE: IPS Steel (Mechanically Expanded)
 LENGTHS: 2'0" Thru 12'0" in 1" Increments
 Note: This applies to all IPS Steel Elements
 NPT Thread both Ends Std.
 Beveled Ends for Field Weld
 See Catalog for Working Pressures

V2 Wiped Edge Enclosure

BACKPLATE:

- TYPE: Partial B/P
 LENGTHS: 8' Only
 MAT'L: 20 Ga. Prepainted (Opt'l)
 18 Ga. Galvannealed (Opt'l)
 Full Ht. B/P (Opt'l)
 2' thru 8' in 6" increments
 20 Ga. Galvannealed (Opt'l)
 18 Ga. Painted (Opt'l)

AIRSEAL:

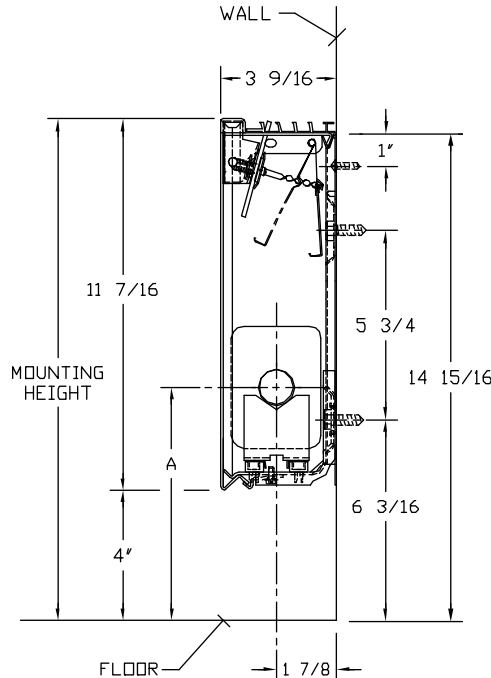
- 1/8" x 3/8" Closed Cell (Opt'l)

BRACKETS:

- Water Brkt w/B.B.

DAMPER:

- Dial Type (Opt'l)
 Tamper Resistant (Opt'l)



JV2 V2 -AR11

ELEMENT TUBE SIZE ~ FIN HEIGHT	CRADLE NO.	A
3/4 COPPER ~ 2 1/2	1	6 5/16
1" COPPER ~ 2 1/2	1	6 1/2
3/4 COPPER ~ 3 3/4	2	7'
1" COPPER ~ 3 3/4	2	7 3/16
1 1/4 COPPER ~ 3 3/4	2	7 5/16
1" STEEL ~ 3 3/4	2	7 5/16
1 1/4 STEEL ~ 3 3/4	2	7 1/2
1" COPPER ~ 5'	3A	7 1/2
1 1/4 COPPER ~ 5'	3A	7 11/16
1" STEEL ~ 5'	3A	7 11/16
1 1/4 STEEL ~ 5'	3A	7 15/16

CAT-39120F MOD



260 North Elm St., Westfield, MA 01085
 (413) 568-9571 Fax: (413) 564-5661
 www.vulcanrad.com



PROJECT: _____ DATE: _____
 LOCATION: _____
 ARCHITECT: _____
 ENGINEER: _____
 CONTRACTOR: _____
 PO NUMBER: _____

STYLE "JV2-AR-11" COPPER/ALUMINUM AND STEEL ELEMENT† RATINGS

Steel Elements†

I.P.S. SIZE	CATALOG DESIGNATION	FIN SIZE WIDTH x HEIGHT	FIN PER FT.	FIN THICKNESS	ENCL HEIGHT IN INCHES	TIERS AND CENTERS IN INCHES	MTG. HEIGHT IN INCHES	STEAM 215° FACTOR	HOT WATER (AVG.)					
									200°	190°	180°	170°	160°	150°
									FACTOR					
								1.00	.86	.78	.69	.61	.53	.45
1"†	VR11	2-3/4" x 3-3/4"	40	.024"	11	1	15-7/16	760	660	600	530	470	410	350
1"†	VR12	2-3/4" x 5"	40	.024"	11	1	"	820	710	640	570	510	440	370
1"†	VR15	2-3/4" x 5"	50	.024"	11	1	"	930	800	730	650	570	500	420
1-1/4"†	VR13	2-3/4" x 5"	40	.024"	11	1	"	780	680	610	540	480	420	360
1-1/4"†	VR16	2-3/4" x 5"	50	.024"	11	1	"	900	780	710	630	550	480	410

†NPT threads furnished on steel elements. Please use domestic fittings for proper installation.

Copper/Aluminum Elements

TUBE SIZE	CATALOG DESIGNATION	FIN SIZE WIDTH x HEIGHT	FIN PER FT.	FIN THICKNESS	ENCL HEIGHT IN INCHES	TIERS AND CENTERS IN INCHES	MTG. HEIGHT IN INCHES	STEAM 215° FACTOR	HOT WATER (AVG.)					
									200°	190°	180°	170°	160°	150°
									FACTOR					
								1.00	.86	.78	.69	.61	.53	.45
3/4"	VRØ1	2-1/4" x 2-1/2"	50	.011"	11	1	15-7/16	780	680	610	540	480	420	360
3/4"*	VRØ2	2-3/4" x 2-1/2"	► 60	.011"	11	"	"	1030	890	810	720	630	550	470 ◀
3/4"	VRØ4	2-3/4" x 3-3/4"	50	.011"	11	"	"	1060	920	830	740	650	570	480
1"	VRØ3	2-3/4" x 2-1/2"	55	.011"	11	"	"	1000	860	780	690	610	530	450
1"	VRØ5	2-3/4" x 3-3/4"	50	.011"	11	"	"	1010	870	790	700	620	540	460
1"	VRØ6	2-3/4" x 5"	40	.020"	11	"	"	1130	980	890	780	690	600	510
1"*	VRØ7	2-3/4" x 5"	► 50	.020"	11	"	"	1170	1010	920	810	720	630	530 ◀
1-1/4"	VRØ8	2-3/4" x 3-3/4"	50	.020"	11	"	"	1140	990	890	790	700	610	520

► **Bold, italicized units are  rated ◀**