

# DURAVANE II

## Submittal

JDVP41 / 42  
DuraVane II Architectural  
Copper/Aluminum and  
Steel Elements

### Specification

#### JDVP41 Pedestal Enclosure

##### ENCLOSURE:

STYLE: DuraVane II Pedestal  
OUTLET: Extruded Aluminum Grille  
Pencil Proof

LENGTHS: 2' thru 8' in 6" Increments

MAT'L:  16 Ga. CRS STD.  
 14 Ga. CRS (Opt'l)

FINISH  Baked Enamel Std.  
 16 Ga. Stainless Steel (Opt'l)  
 14 Ga. Stainless Steel (Opt'l)  
 14 Ga. Aluminum (Opt'l)  
 12 Ga. Aluminum (Opt'l)

##### ACCESSORIES:

JDV Overlapping Type

All accessories have finger tabs at the bottom for easy installation.

##### ELEMENT:

TYPE:  Cu/Al (Mechanically Expanded)

LENGTHS: 2'0" thru 12'6" in 1" Increments for 1" & 1-1/4" Cu.  
2' thru 8' in 1" Increments for 3/4" Cu.

One End Flared, Std.

TYPE:  IPS Steel (Mechanically Expanded)

LENGTHS: 2'0" thru 12'6" in 1" Increments  
 NPT Thread both Ends Std.  
 Beveled Ends for Field Weld  
See Catalog for Working Pressures

#### JDVP42 Pedestal Enclosure

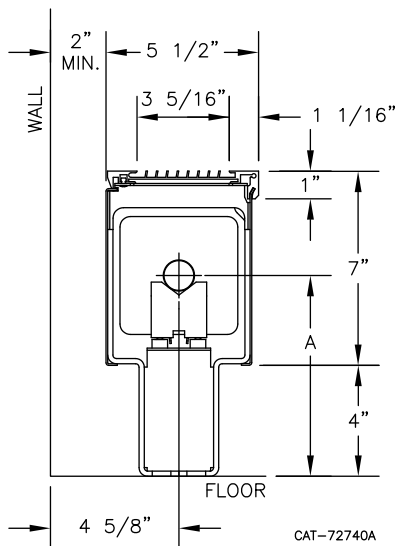
**BACKPLATE:** Not Applicable

##### BRACKETS:

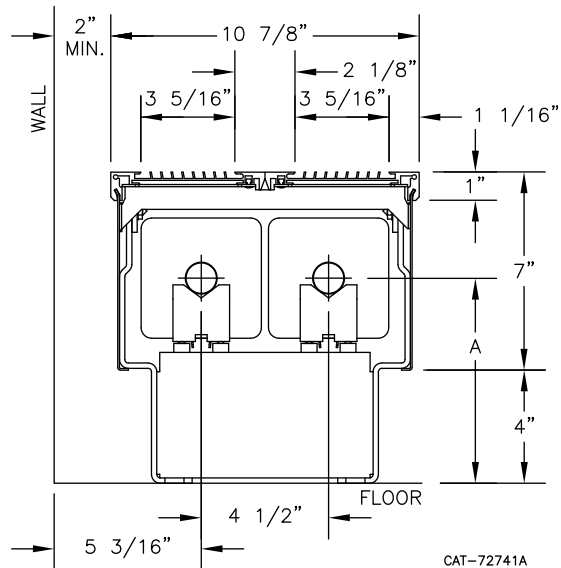
Pedestal Brk't w/ B.B. (Std.)  
 Adjustable Pedestal Brk't w/B.B. with Alum Base (Opt'l.)

ELEMENT TUBE SIZE	CRADLE NO.	A
3/4" COPPER	2	7 1/16"
1" COPPER	2	7 1/4"
1 1/4" COPPER	2	7 3/8"
1 1/4" STEEL	1	7 9/16"
2" STEEL	1	7 5/16"

#### JDVP41



#### JDVP42



**Vulcan**  
R A D I A T O R

260 North Elm St., Westfield, MA 01085  
(413) 568-9571 Fax: (413) 564-5661  
www.vulcanrad.com



10/09

PROJECT: \_\_\_\_\_ DATE: \_\_\_\_\_

LOCATION: \_\_\_\_\_

ARCHITECT: \_\_\_\_\_

ENGINEER: \_\_\_\_\_

CONTRACTOR: \_\_\_\_\_

PO NUMBER: \_\_\_\_\_

## STYLES JDVP41 & JDVP42 DURAVANE II

COPPER/ALUMINUM ELEMENT								STEAM 215° FACTOR	HOT WATER (AVG.) FACTOR					
TUBE SIZE	CATALOG DESIGNATION	FIN SIZE IN INCHES	FIN/FT	FIN THICKNESS	ENCL DEPTH AND HEIGHT IN INCHES	TIERS AND CENTERS IN INCHES	MTG. HEIGHT IN INCHES		200°	190°	180°	170°	160°	150°
3/4"	VC3/4-434	4-1/4 x 3-5/8	40	0.020"	7	—	11	1400	1200	1100	970	860	740	640
					"	2-W	"	2150	1850	1680	1490	1310	1130	970
3/4"	VC3/4-435	4-1/4 x 3-5/8	50	0.020"	7	—	11	1520	1310	1190	1050	930	800	680
					"	2-W	"	2340	2010	1820	1620	1430	1240	1050
1"	VC433	4-1/4 x 3-5/8	32	0.020"	7	—	11	1290	1110	1000	890	780	680	580
					"	2-W	"	1990	1710	1560	1380	1220	1060	900
1"	VC434	4-1/4 x 3-5/8	40	0.020"	7	—	11	1450	1250	1130	1000	890	770	650
					"	2-W	"	2240	1920	1750	1550	1370	1190	1020
1"	VC435	4-1/4 x 3-5/8	50	0.020"	7	—	11	1580	1360	1240	1090	970	840	710
					"	2-W	"	2440	2100	1900	1690	1490	1300	1100
1-1/4"	VC1433	4-1/4 x 3-5/8	32	0.020"	7	—	11	1260	1090	980	870	770	670	570
					"	2-W	"	1950	1680	1520	1350	1190	1030	870
1-1/4"	VC1434	4-1/4 x 3-5/8	40	0.020"	7	—	11	1430	1230	1110	980	870	760	640
					"	2-W	"	2200	1890	1710	1510	1330	1170	990
1-1/4"	VC1435	4-1/4 x 3-5/8	50	0.020"	7	—	11	1560	1350	1220	1070	960	830	700
					"	2-W	"	2400	2070	1860	1650	1460	1270	1070
1"	VC43	4-1/4" SQ.	32	0.020"	7	—	11	1500	1290	1170	1040	910	790	670
					"	2-W	"	2360	2030	1840	1630	1440	1250	1060
1"	VC44	4-1/4" SQ.	40	0.020"	7	—	11	1700	1460	1320	1170	1040	900	770
					"	2-W	"	2890	2490	2250	1990	1760	1530	1300
1"	VC45	4-1/4" SQ.	50	0.020"	7	—	11	1750	1500	1360	1200	1060	920	790
					"	2-W	"	3000	2570	2340	2070	1830	1590	1350
1-1/4"	VC143	4-1/4" SQ.	32	0.020"	7	—	11	1230	1050	960	850	740	650	560
					"	2-W	"	2370	2040	1850	1640	1450	1260	1060
1-1/4"	VC144	4-1/4" SQ.	40	0.020"	7	—	11	1580	1360	1240	1090	970	840	710
					"	2-W	"	2700	2330	2110	1860	1650	1430	1220
1-1/4"	VC145	4-1/4" SQ.	50	0.020"	7	—	11	1740	1490	1360	1190	1060	920	780
					"	2-W	"	2990	2570	2330	2070	1820	1580	1350

NOTES: 1. See element ordering information below.

## STYLES JDVP41 & JDVP42 DURAVANE II

STEEL ELEMENT†								STEAM 215° FACTOR	HOT WATER (AVG.) FACTOR					
I.P.S. SIZE	CATALOG DESIGNATION	FIN SIZE IN INCHES	FIN/FT	FIN THICKNESS	ENCLOSURE HEIGHT IN INCHES	TIERS AND CENTERS IN INCHES	MTG. HEIGHT IN INCHES		200°	190°	180°	170°	160°	150°
1-1/4"	†VS134	4-1/4" SQ.	32	0.032"	7	—	11	1330	1150	1040	920	810	710	600
					"	2-W	"	1830	1570	1430	1260	1120	970	830
1-1/4"	†VS144	4-1/4" SQ.	40	0.032"	7	—	11	1460	1260	1150	1020	900	780	660
					"	2-W	"	2240	1920	1750	1550	1370	1190	1020
2"	†VS242	4-1/4" SQ.	25	0.032"	7	—	11	1160	990	900	800	710	610	520
					"	2-W	"	1590	1370	1240	1100	970	850	720
2"	†VS243	4-1/4" SQ.	32	0.032"	7	—	11	1350	1160	1050	930	830	710	600
					"	2-W	"	1840	1580	1440	1270	1120	980	830

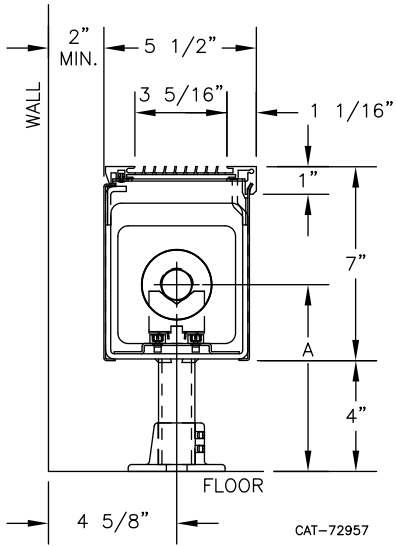
†NPT threads furnished on steel elements. Please use domestic fittings for proper installation.  
Not Recommended for Steam Applications

## Optional Adjustable Pedestal Bracket Assembly with Aluminum Floor Flange

ELEMENT TUBE SIZE	CRADLE NO.	A
3/4" COPPER	2	7 1/16"
1" COPPER	2	7 1/4"
1 1/4" COPPER	2	7 3/8"
1 1/4" STEEL	1	7 9/16"
2" STEEL	1	7 5/16"

### □ JDVP41

□ Adjustable Pedestal Brk't



### □ JDVP42

□ Adjustable Pedestal Brk't

