

DURAVANE II

Submittal

JDV3 7 / JDV4 7
DuraVane II Architectural
Copper/Aluminum and
Steel Elements

Specification

JDV3 Slip Jointed Enclosure

ENCLOSURE:

STYLE: DuraVane
OUTLET: Extruded Aluminum Grille
Pencil Proof

LENGTHS: 2' thru 8' in 6" Increments

MAT'L: 16 Ga. CRS STD.
 14 Ga. CRS (Opt'l)

FINISH Baked Enamel Std.
 16 Ga. Stainless Steel (Opt'l)
 14 Ga. Stainless Steel (Opt'l)
 14 Ga. Aluminum (Opt'l)
 12 Ga. Aluminum (Opt'l)

ACCESSORIES:

JDV Overlapping Type

All accessories have finger tabs at the bottom for easy installation.

ELEMENT:

TYPE: Cu/Al (Mechanically Expanded)

LENGTHS: 2'0" thru 12'6" in 1" Increments for 1" & 1-1/4" Cu.
2' thru 8' in 1" Increments for 3/4" Cu.

One End Flared, Std.

TYPE: IPS Steel (Mechanically Expanded)

LENGTHS: 2'0" thru 12'6" in 1" Increments
 NPT Thread both Ends Std.
 Beveled Ends for Field Weld
See Catalog for Working Pressures

JDV4 Slip Jointed Enclosure

BACKPLATE:

TYPE: Partial B/P

LENGTHS: 8" Only

MAT'L: 20 Ga. Prepainted Std.
 18 Ga. Painted (Opt'l)

Full Ht. B/P (Opt'l)
2' thru 8' in 6" increments
 20 Ga. Galvannealed (Opt'l)
 18 Ga. Painted (Opt'l)

AIRSEAL:

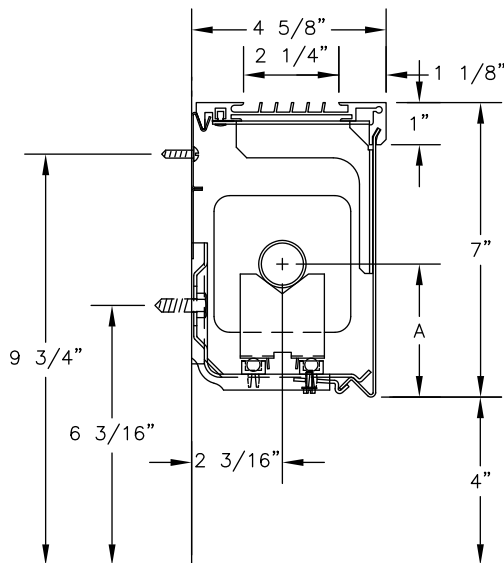
1/8" x 3/8" Closed Cell (Opt'l)

BRACKETS:

Water Brkt 3-7
 Water Brkt 4-7

JDV3 7

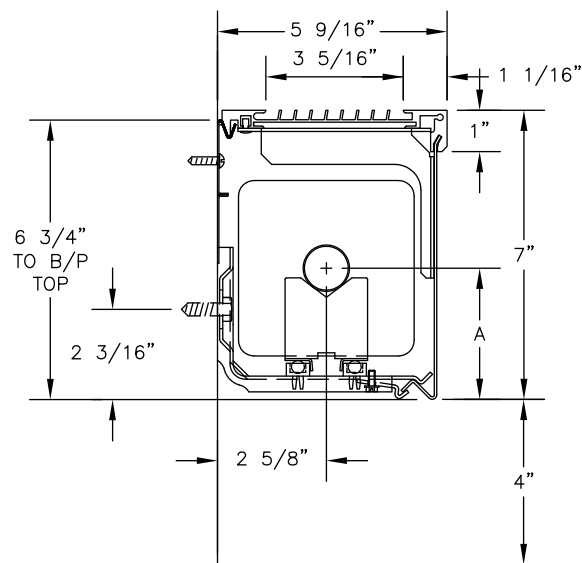
ELEMENT TUBE SIZE	CRADLE NO.	A
3/4" COPPER	2	3
1" COPPER	2	3 3/16
1 1/4" COPPER	1	2 5/8
1 1/4" STEEL	1	2 13/16



CAT-72728A

JDV4 7

ELEMENT TUBE SIZE	CRADLE NO.	A
3/4" COPPER	2	3
1" COPPER	2	3 3/16
1 1/4" COPPER	2	3 5/16
1 1/4" STEEL	2	3 1/2
2" STEEL	1	3 1/4



CAT-72725A

Vulcan

R A D I A T O R

260 North Elm St., Westfield, MA 01085
(413) 568-9571 Fax: (413) 564-5661
www.vulcanrad.com



PROJECT: _____ DATE: _____

LOCATION: _____

ARCHITECT: _____

ENGINEER: _____

CONTRACTOR: _____

PO NUMBER: _____

STYLES JDV3 7 & JDV4 7 DURAVANE II LOW PROFILE

COPPER/ALUMINUM ELEMENT					ENCLOSURE DEPTH IN INCHES	ENCLOSURE HEIGHT IN INCHES	TIERS AND CENTERS IN INCHES	MTG. HEIGHT IN INCHES	STEAM 215° FACTOR	Hot Water (AVG.)					
TUBE SIZE	CATALOG DESIGNATION	FIN SIZE IN INCHES	FIN/FT	FIN THICKNESS						Factor					
										200°	190°	180°	170°	160°	150°
3/4"	VC3/4-34	3-1/4" SQ.	40	0.020"	4-5/8	7	1	11	1000	860	780	690	610	530	450
3/4"	VC3/4-35	3-1/4" SQ.	50	0.020"	4-5/8	"	"	"	1010	870	790	700	620	540	450
1"	VC33	3-1/4" SQ.	32	0.020"	4-5/8	"	"	"	840	720	660	580	510	450	380
1"	VC34	3-1/4" SQ.	40	0.020"	4-5/8	"	"	"	970	830	760	670	590	510	440
1"	VC35	3-1/4" SQ.	50	0.020"	4-5/8	"	"	"	980	840	760	680	600	520	440
1-1/4"	VC133	3-1/4" SQ.	32	0.020"	4-5/8	"	"	"	810	700	630	560	490	430	360
1-1/4"	VC134	3-1/4" SQ.	40	0.020"	4-5/8	"	"	"	930	800	730	640	570	490	420
1-1/4"	VC135	3-1/4" SQ.	50	0.020"	4-5/8	"	"	"	940	810	730	650	570	500	420
3/4"	VC3/4-434	4-1/4 x 3-5/8	40	0.020"	5-9/16	"	"	"	1240	1070	970	860	760	660	560
3/4"	VC3/4-435	4-1/4 x 3-5/8	50	0.020"	5-9/16	"	"	"	1320	1140	1030	910	810	700	590
1"	VC433	4-1/4 x 3-5/8	32	0.020"	5-9/16	"	"	"	1150	990	900	790	700	610	520
1"	VC434	4-1/4 x 3-5/8	40	0.020"	5-9/16	"	"	"	1260	1080	980	870	770	670	570
1"	VC435	4-1/4 x 3-5/8	50	0.020"	5-9/16	"	"	"	1360	1170	1060	940	830	720	610
1-1/4"	VC1433	4-1/4 x 3-5/8	32	0.020"	5-9/16	"	"	"	1120	960	870	770	680	590	500
1-1/4"	VC1434	4-1/4 x 3-5/8	40	0.020"	5-9/16	"	"	"	1240	1070	970	860	760	660	560
1-1/4"	VC1435	4-1/4 x 3-5/8	50	0.020"	5-9/16	"	"	"	1330	1140	1040	920	810	700	600
1"	VC43	4-1/4" SQ.	32	0.020"	5-9/16	"	"	"	1260	1080	980	870	770	670	570
1"	VC44	4-1/4" SQ.	40	0.020"	5-9/16	"	"	"	1390	1200	1080	960	850	740	630
1"	VC45	4-1/4" SQ.	50	0.020"	5-9/16	"	"	"	1410	1210	1100	970	860	750	630
1-1/4"	VC143	4-1/4" SQ.	32	0.020"	5-9/16	"	"	"	1230	1060	960	850	750	650	550
1-1/4"	VC144	4-1/4" SQ.	40	0.020"	5-9/16	"	"	"	1370	1180	1070	950	840	730	620
1-1/4"	VC145	4-1/4" SQ.	50	0.020"	5-9/16	"	"	"	1390	1200	1080	960	850	740	630

STYLES JDV3 7 & JDV4 7 DURAVANE II LOW PROFILE

STEEL ELEMENT					ENCLOSURE DEPTH IN INCHES	ENCLOSURE HEIGHT IN INCHES	TIERS AND CENTERS IN INCHES	MTG. HEIGHT IN INCHES	STEAM 215° FACTOR	Hot Water (AVG.)					
I.P.S. SIZE	CATALOG DESIGNATION	FIN SIZE IN INCHES	FIN/FT	FIN THICKNESS						Factor					
										200°	190°	180°	170°	160°	150°
1-1/4"	†VS133	3-1/4" SQ.	32	0.032"	4-5/8	7	1	11	770	660	600	530	470	410	350
1-1/4"	†VS134	3-1/4" SQ.	40	0.032"	4-5/8	"	"	"	870	750	680	600	530	460	390
1-1/4"	†VS143	4-1/4" SQ.	32	0.032"	5-9/16	"	"	"	1090	940	850	750	660	580	490
1-1/4"	†VS144	4-1/4" SQ.	40	0.032"	5-9/16	"	"	"	1210	1040	940	830	740	640	540
2"	†VS242	4-1/4" SQ.	25	0.032"	5-9/16	"	"	"	950	820	740	660	580	500	430
2"	†VS243	4-1/4" SQ.	32	0.032"	5-9/16	"	"	"	1130	970	880	780	690	600	510

†NPT threads furnished on steel elements. Please use domestic fittings for proper installation.