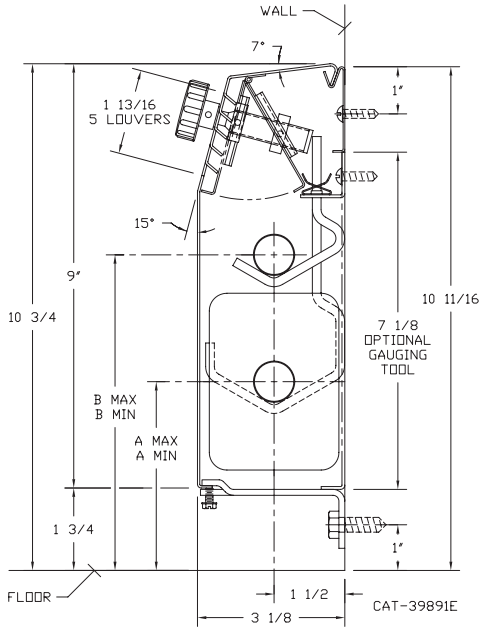




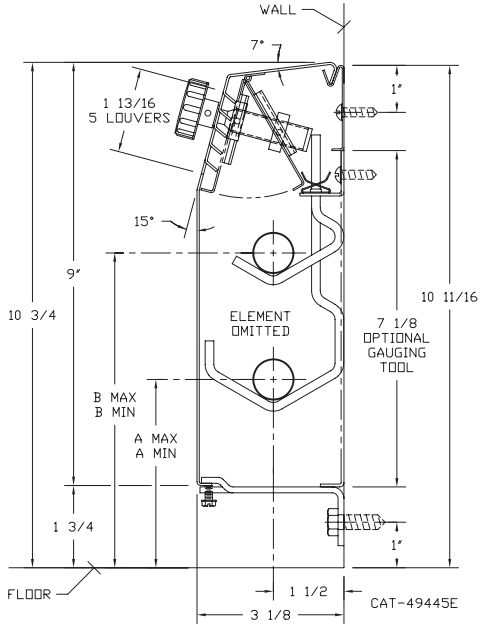


# PARTIAL BACKPLATE INSTALLATION

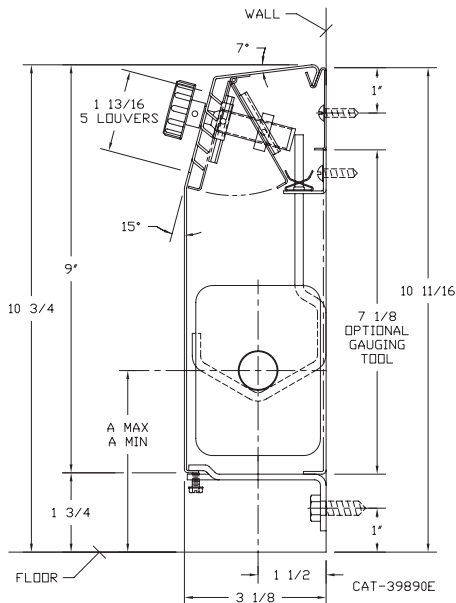
## Rod Hanger Installation



TUBE SIZE	FIN SIZE HEIGHT x WIDTH	A MIN	A MAX	B MIN	B MAX
3/4 COPPER	2 1/2 x 2 1/4	3 1/4	5 1/4	6 1/8	7 1/8
	2 1/2 x 2 3/4				
1" COPPER	3 3/4 x 2 3/4	3 7/8	5 3/8	6 5/8	7 1/8
	2 1/2 x 2 3/4	3 1/4	5 1/4	6 1/8	7 1/8
	5" x 2 3/4	4 1/2	5 1/4	N/A	N/A
1 1/4 COPPER	3 3/4 x 2 3/4	3 7/8	5 3/8	6 5/8	7 1/8
	5" x 2 3/4	4 1/2	5 1/4	N/A	N/A
1" STEEL	3 3/4 x 2 3/4	3 7/8	5 3/8	6 5/8	7 1/8
	5" x 2 3/4	4 1/2	5 1/4	N/A	N/A
1 1/4 STEEL	3 3/4 x 2 3/4	3 7/8	5 3/8	6 5/8	7 1/8
	5" x 2 3/4	4 1/2	5 1/4	N/A	N/A



TUBE SIZE	FIN SIZE HEIGHT x WIDTH	A MIN	A MAX	B MIN	B MAX
3/4 COPPER	2 1/2 x 2 1/4	3 1/4	5 1/4	6 1/8	7 1/8
	2 1/2 x 2 3/4				
1" COPPER	3 3/4 x 2 3/4	3 7/8	5 3/8	6 5/8	7 1/8
	2 1/2 x 2 3/4	3 1/4	5 1/4	6 1/8	7 1/8
	5" x 2 3/4	4 1/2	5 1/4	N/A	N/A
1 1/4 COPPER	3 3/4 x 2 3/4	3 7/8	5 3/8	6 5/8	7 1/8
	5" x 2 3/4	4 1/2	5 1/4	N/A	N/A
1" STEEL	3 3/4 x 2 3/4	3 7/8	5 3/8	6 5/8	7 1/8
	5" x 2 3/4	4 1/2	5 1/4	N/A	N/A
1 1/4 STEEL	3 3/4 x 2 3/4	3 7/8	5 3/8	6 5/8	7 1/8
	5" x 2 3/4	4 1/2	5 1/4	N/A	N/A



TUBE SIZE	FIN SIZE HEIGHT x WIDTH	A MIN	A MAX
3/4 COPPER	2 1/2 x 2 1/4	3 1/4	5 1/4
	2 1/2 x 2 3/4		
1" COPPER	3 3/4 x 2 3/4	3 7/8	5 3/8
	2 1/2 x 2 3/4	3 1/4	5 1/4
	5" x 2 3/4	4 1/2	5 1/4
1 1/4 COPPER	3 3/4 x 2 3/4	3 7/8	5 3/8
1" STEEL	3 3/4 x 2 3/4	3 7/8	5 3/8
	5" x 2 3/4	4 1/2	5 1/4
1 1/4 STEEL	3 3/4 x 2 3/4	3 7/8	5 3/8
	5" x 2 3/4	4 1/2	5 1/4

STYLE Light Commercial "LC-209"						COPPER/ALUMINUM ELEMENT RATINGS							
						ALL RATINGS ARE BASED ON 65° EAT							
TUBE SIZE	CATALOG DESIGNATION	FIN SIZE HEIGHT X WIDTH	FIN PER FT.	FIN THICKNESS IN G.P.M.	WATER RATE IN INCHES	HOT WATER (AVG.)							
						215°	180°	170°	160°	150°	140°	130°	120°
3/4"	VR02	2-1/2" x 2-3/4"	<b>60</b>	<b>.010</b>	<b>1</b>	<b>1010</b>	<b>720</b>	<b>630</b>	<b>550</b>	<b>470</b>	<b>390</b>	<b>320</b>	<b>260</b>
					<b>4</b>	<b>1070</b>	<b>760</b>	<b>670</b>	<b>580</b>	<b>500</b>	<b>420</b>	<b>350</b>	<b>280</b>
1"	VR03	2-1/2" x 2-3/4"	<b>55</b>	<b>.011</b>	<b>1</b>	<b>990</b>	<b>710</b>	<b>620</b>	<b>540</b>	<b>460</b>	<b>390</b>	<b>320</b>	<b>250</b>
					<b>4</b>	<b>1050</b>	<b>750</b>	<b>660</b>	<b>570</b>	<b>490</b>	<b>410</b>	<b>340</b>	<b>270</b>
3/4"	VR04	3-3/4" x 2-3/4"	50	.014	1	1070	770	680	590	510	430	350	280
					4	1130	810	720	620	530	450	370	290
1"	VR05	3-3/4" x 2-3/4"	50	.014	1	1080	780	690	600	520	440	360	290
					4	1140	820	730	630	540	450	370	300
1"	VR07	5" x 2-3/4"	50	.020	1	1060	740	650	560	470	390	320	260
					4	1120	780	680	590	500	420	350	280
1-1/4"	VR08	2-1/2" x 2-3/4"	50	.02	1	1070	740	650	560	470	390	320	260
					4	1130	780	680	590	500	420	350	280
1-1/4"	VR10	5" x 2-3/4"	50	.020	1	1080	750	660	560	470	390	320	260
					4	1140	790	690	590	500	420	350	280

► Bold, italicized units are  rated ◀

STYLE Light Commercial "LC-209"						STEEL ELEMENT RATINGS							
						ALL RATINGS ARE BASED ON 65° EAT							
TUBE SIZE	CATALOG DESIGNATION	FIN SIZE HEIGHT X WIDTH	FIN PER FT.	FIN THICKNESS IN G.P.M.	WATER RATE IN INCHES	HOT WATER (AVG.)							
						215°	180°	170°	160°	150°	140°	130°	120°
1"	VR12	5" x 2-3/4"	50	.024	1	1000	720	630	550	470	390	320	260
					4	1060	760	670	580	500	420	350	280
1-1/4"	VR13	5" x 2-3/4"	50	.024	1	1020	730	640	560	480	400	330	260
					4	1080	770	680	590	510	430	350	280