

STANDARD FEATURES

- Installer Ready
- Factory Assembled and Tested
- Commercial Grade Componentry
- Easy to Install and Service
- Pre-wired Components
- Fixed Cost Installation – Eliminates Field Fabrication
- Clean Professional Factory Design
- Easy Connection to Thermostats & Additional Zone Valve Actuators
- Self-Balancing Hydronic System

APPLICATION BENEFITS

- 300psi working pressure for high rise projects
- Installation ease for multi-unit construction
- Individual thermostat control per unit
- Eliminate excess piping, pumps and heat exchangers

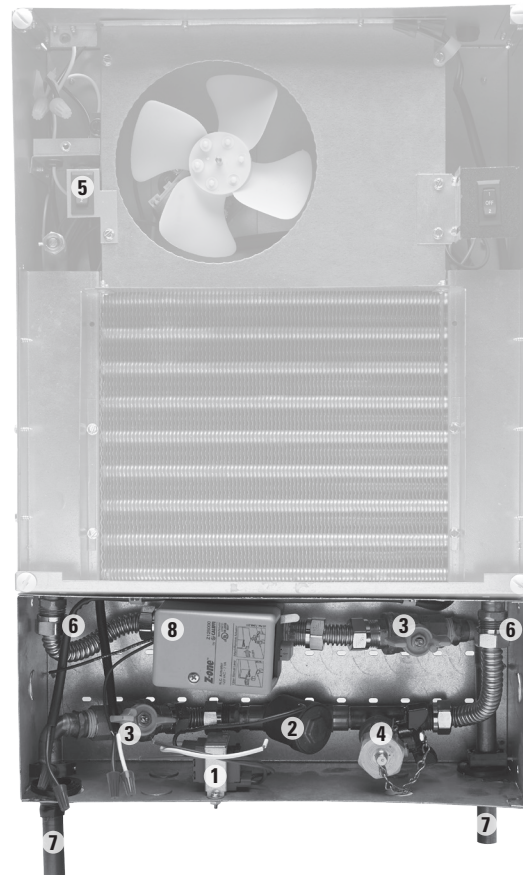
TYPICAL INSTALLATIONS

- Condominiums
- Housing Complexes
- Dormitories
- High Rise Office Buildings and Apartments
- Easy system balancing
- Single point electrical connection

HEATING CAPACITY (BTU/HR.) FOR KICKSTER WALL-MOUNT (KWM) MODELS

Entering Water Temperature	Water Flow Rate (Gallons Per Minute)					
	1 GPM		2 GPM		3 GPM	
	KWM6	KWM11	KWM6	KWM11	KWM6	KWM11
120°F	3227	4108	3300	4200	3373	4292
140°F	4401	5672	4500	5800	4599	5928
160°F	5575	7237	5700	7400	5825	7563
180°F	6748	8802	6900	9000	7052	9198
Pressure Drop (Ft. Head)	0.7	1.0	2.0	3.0	7.2	9.0

Box Fits Between Studs: 14.3" Width
(Kickster Wall Mount KWM-11 Shown)



COMPONENTS

1. 24V Transformer
2. Auto Flow Control Valves – With Interchangeable Flow Cartridges for Self-Balanced Systems
3. (2) Full Port Ball Valve Shutoffs – Ease of System Isolation for Service
4. Purge Valve – Easy Removal of Air/Sediment
5. On/Off Aquastat – Ease of Set-Up/Testing and Service
6. Stainless Steel Flexible Connectors
7. Standard ½" Sweat Connection
8. Zone Valve with 24V Actuator (120V Optional, No Transformer)



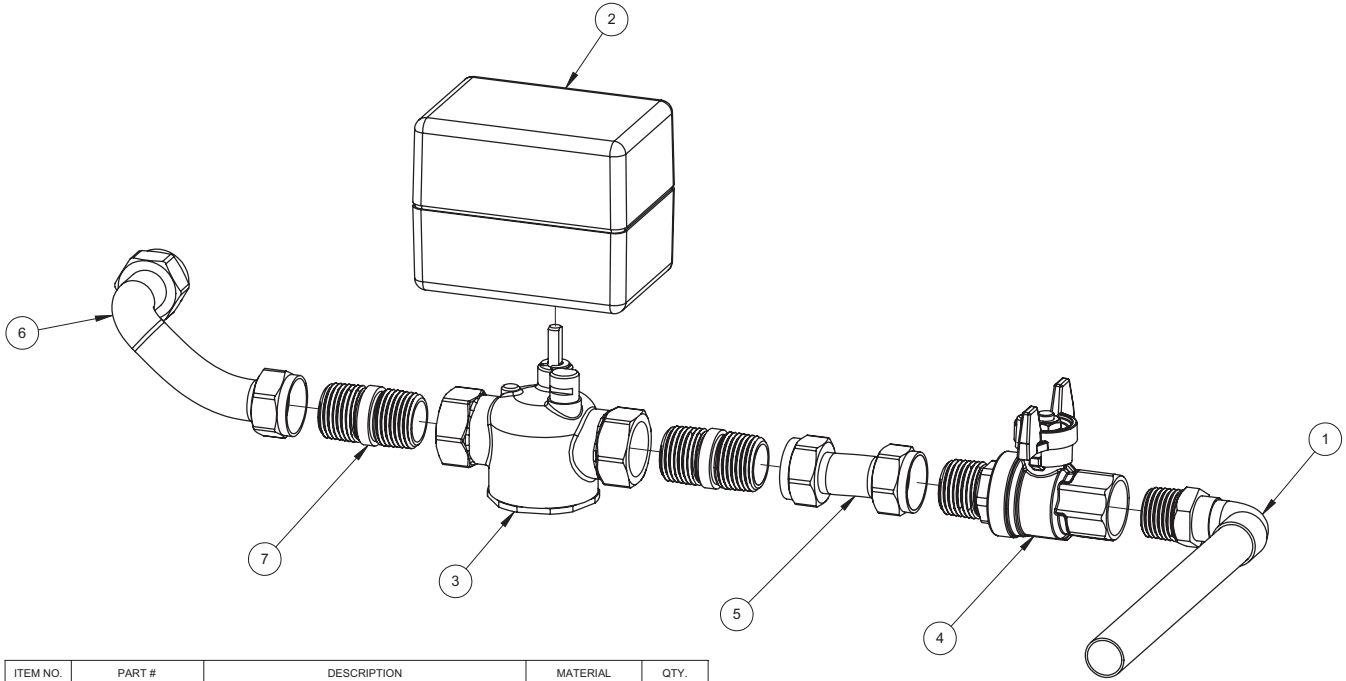
260 North Elm Street • Westfield, MA 01085
Tel: (800) 762-5005 • Fax: (413) 572-3764
www.turbonicsinc.com



PROJECT: _____ DATE: _____
 LOCATION: _____
 CUSTOMER: _____
 ENGINEER: _____
 SUBMITTED BY: _____
 FOR: Reference Approval Construction
 UNIT DESIGNATION: _____
 SCHEDULE NUMBER: _____

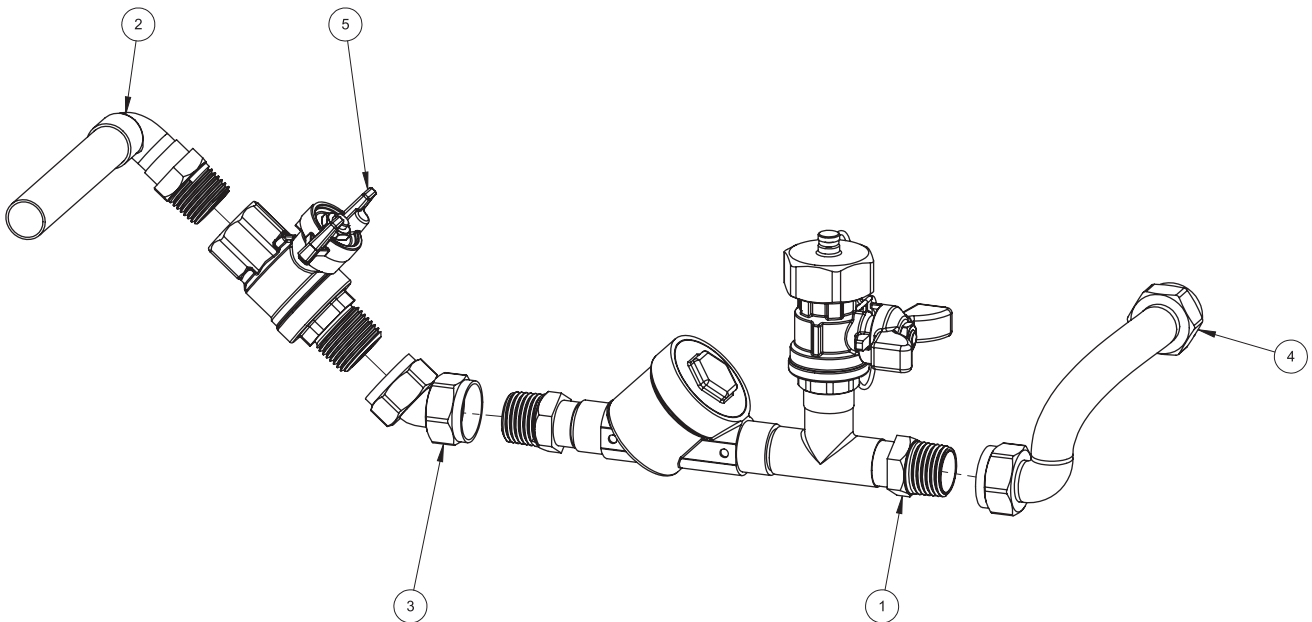
Valve Control Box Components

FIGURE 1: Supply Valve Control Assembly



ITEM NO.	PART #	DESCRIPTION	MATERIAL	QTY.
1	TUR-10053-001	COPPER TUBE INLET ASSEMBLY	N/A	1
2	TUR-09825-001	24V VALVE ACTUATOR NORMALLY CLOSED (120V OPTIONAL)	N/A	1
3	TUR-09831-001	VALVE BODY, 2-WAY, 1/2" NPT	N/A	1
4	TUR-09832-001	FULL PORT BALL VALVE	BRASS	1
5	TUR-09823-002	FLEX PIPE, CSST, 1/2" FIP X 2"	304 SS	1
6	TUR-09823-005	FLEX PIPE, CSST, 1/2" FIP X 5"	304 SS	1
7	TUR-10096-001	NIPPLE, CLOSE, 1/2" NPT	BRASS	2

FIGURE 2: Return Valve Control Assembly



ITEM NO.	PART #	DESCRIPTION	MATERIAL	QTY.
1	TUR-10052-001	FLOW CONTROL AND PURGE VALVE ASSEMBLY	N/A	1
2	TUR-10053-001	COPPER TUBE OUTLET ASSEMBLY	N/A	1
3	TUR-09823-002	FLEX PIPE, CSST, 1/2" FIP X 2"	304 SS	1
4	TUR-09823-005	FLEX PIPE, CSST, 1/2" FIP X 5"	304 SS	1
5	TUR-09832-001	FULL PORT BALL VALVE	BRASS	1