



Kickster Wall-Mount Fan Coil Installation Instructions Model KWM All Sizes

Installation:

- Kickster Wall-Mount hydronic fan coils are suitable for connection to a hot water supply at any pressure up to 300 psi with a maximum water temperature of 200°F.
- Building codes and plumbing regulations may vary. Check local codes and regulations before determining proper application and installation.
- Examine unit for shipping damage.
- Unit is designed to be mounted under sheetrock for proper fit of the cover. Install at least 6" - 8" above the floor for best performance. Unit will fit between standard 16" studs on center.
- For unit dimensions on the KWM6 refer to Figure 1, 3 & 6. For KWM11 refer to Figure 2, 4 & 7.
- Secure unit in proper position. Unit must be level to assure proper drainage and operation.

Figure 1 - KWM6

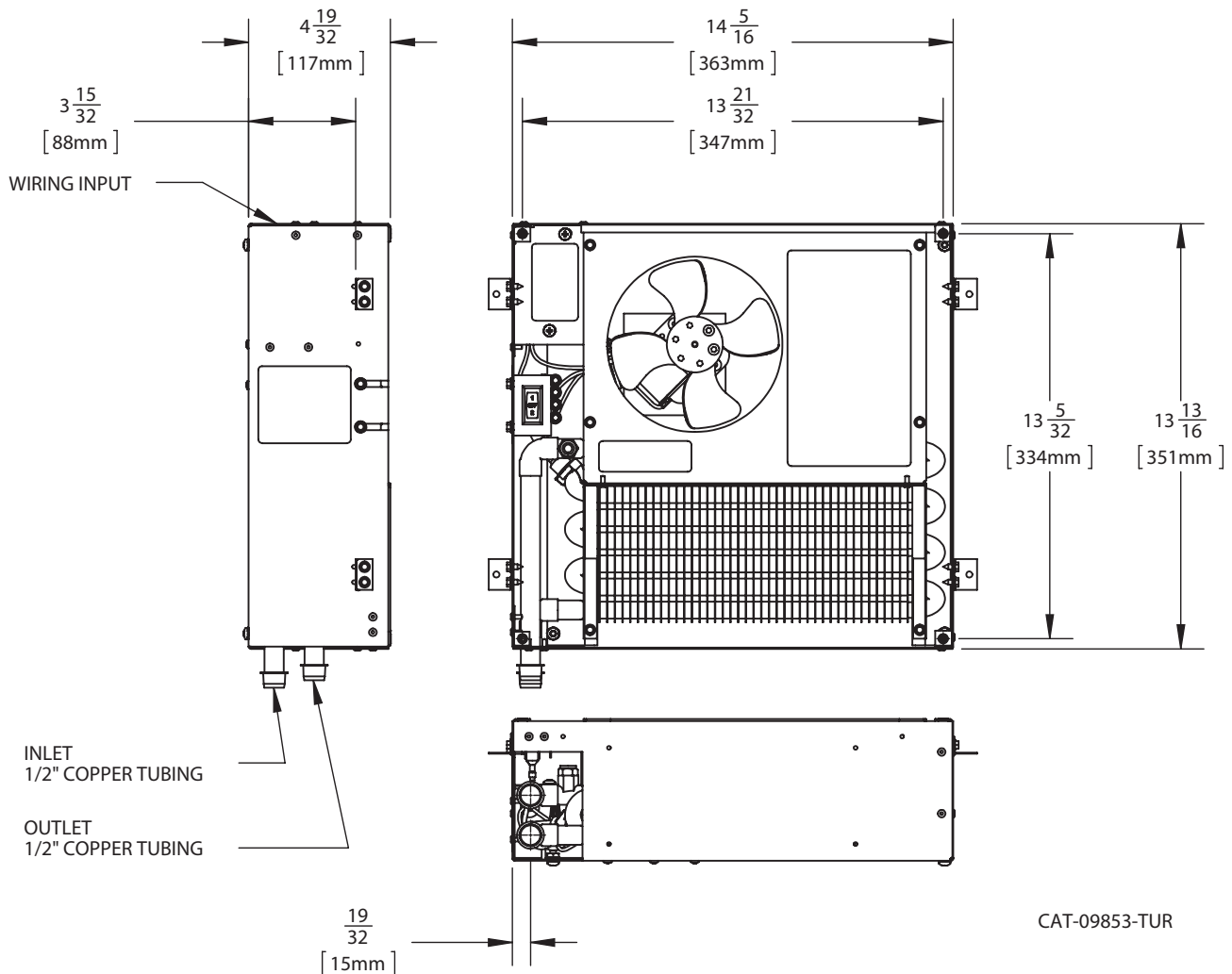
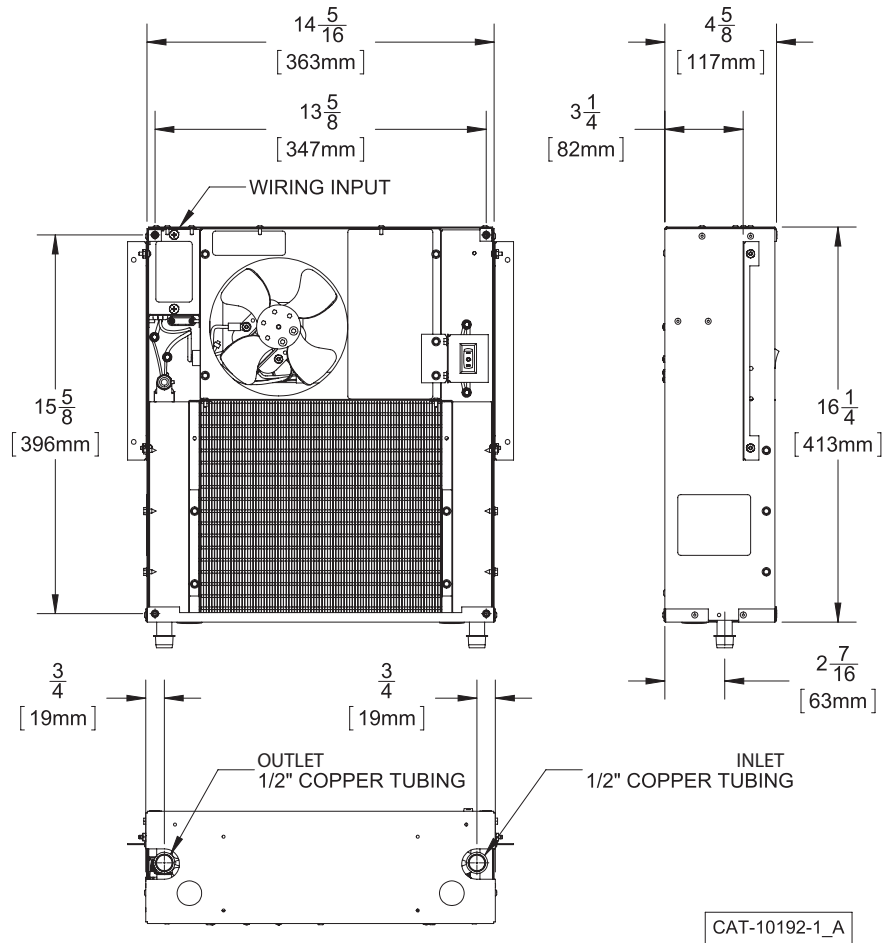


Figure 2 - KWM11



Piping

- The piping on the unit will usually be copper or any other locally approved piping. Accessible $\frac{1}{2}$ " sweat fittings are provided on the unit itself. An optional flexible stainless steel connector kit with shut-off valves is available for connecting the unit to any type of piping system and can be used with an optional valve control box.
- All piping systems should be designed by a technician with experience in the various piping arrangements that work with this type of unit.
- As with any system employing circulated water, the pipes passing through unheated spaces should be insulated.

NOTE: When using mono-flo or "venturi" fittings, we suggest placement of a ball valve just after the supply take-off and before the return is connected.

Piping: Hot Water Boiler

- The unit supply line should be taken from the boiler side beyond any flo-control valve. If the system being used is a gravity-flow or cast iron hot water system, a separate circuit must be installed.

Piping: Water Heater

- To install correctly, a technician with knowledge of piping arrangements and back-flo valves must design the piping system.

Wiring the Unit

- A field wiring connection is provided on the unit (see figure 5). Connect wires at this point only.
- The unit is manufactured with a built-in factory wired aquastat with a set point of 140°F on and 110°F off. The aquastat may be disabled in the field if not required (see application manuals).

Figure 3 - KWM6

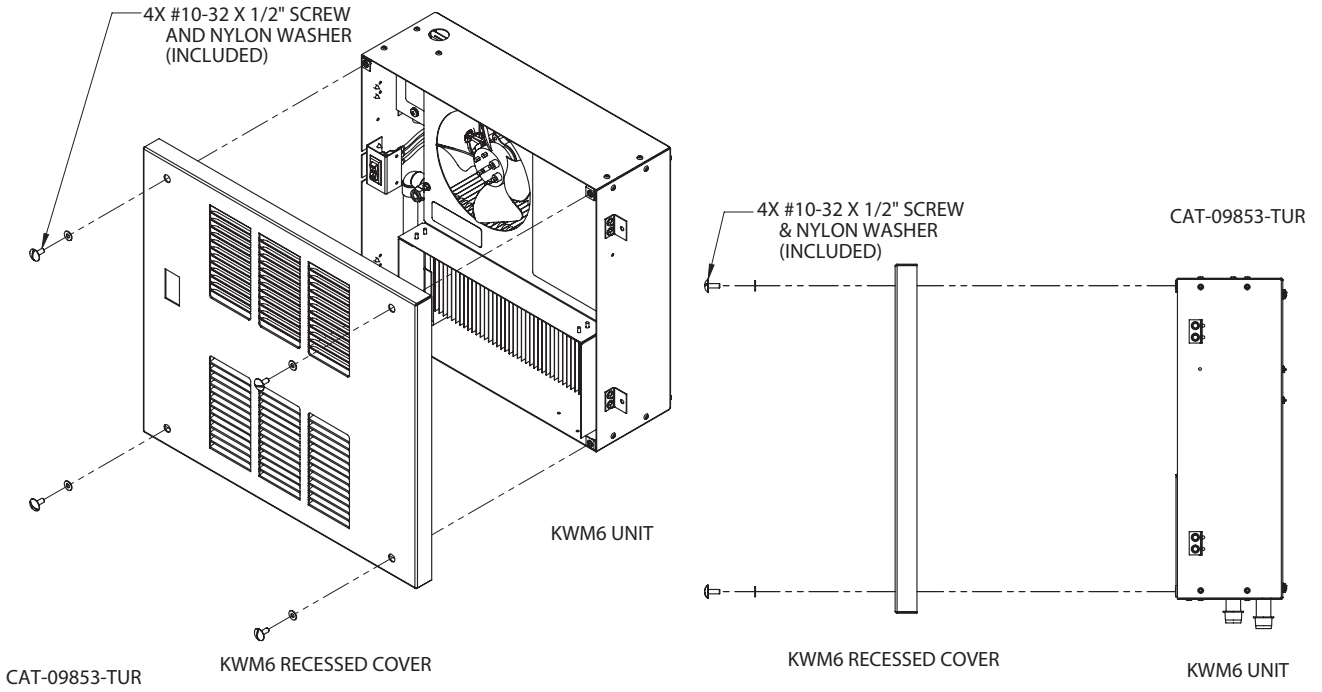


Figure 4 - KWM11

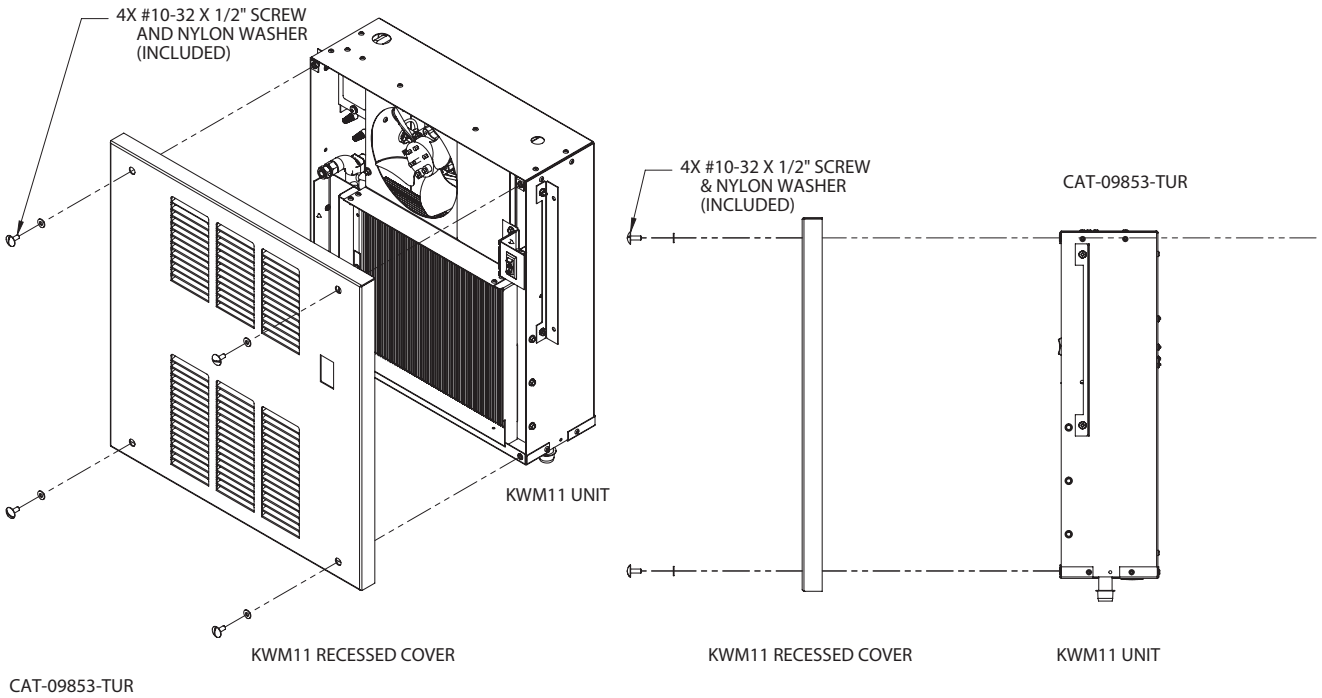
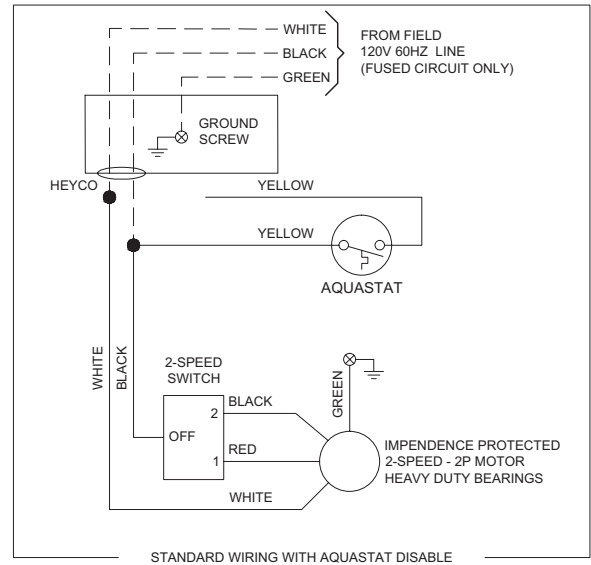
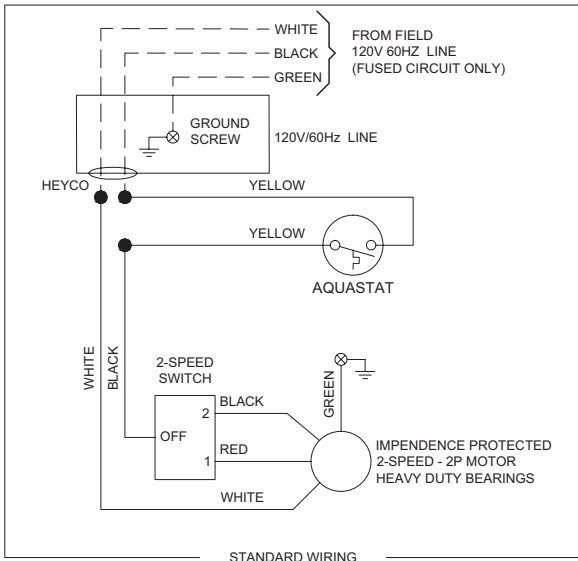


Figure 5 - Wiring Diagram KWM6/KWM11



NOTE:
ALL UNITS COME STANDARD WITH FACTORY WIRED AQUASTAT, WHICH
CAN BE DISABLE IN THE FIELD IF NOT REQUIRED.
ALL WIRING SHALL MEET ALL LOCAL AND NATIONAL CODE.

FACTORY WIRING —————
FIELD WIRING - - - - -

NOTE:
ALL WIRING SHALL MEET ALL LOCAL AND NATIONAL CODE.

TUR-09866_A

Figure 6 - KWM6

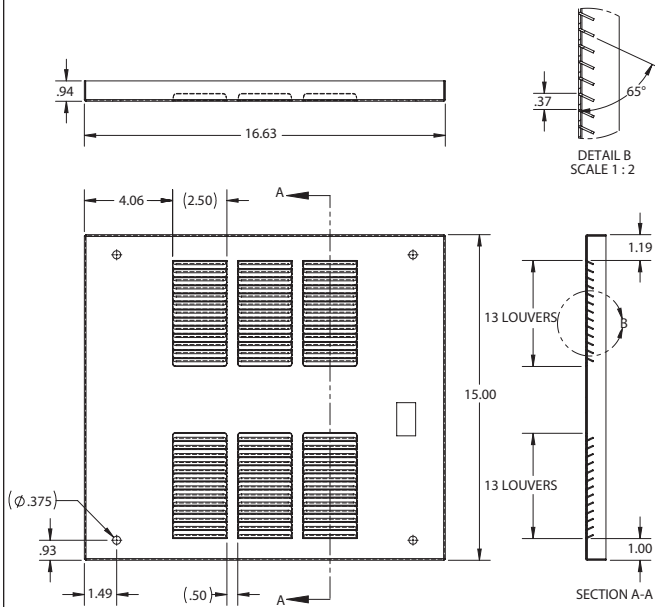


Figure 7 - KWM11

