

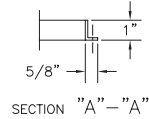
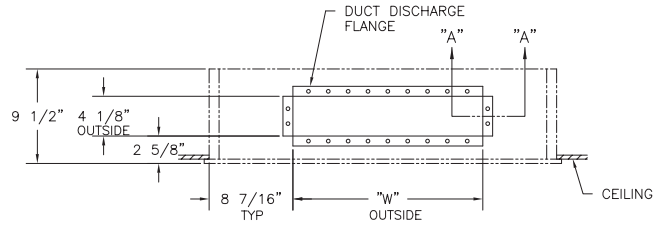
CABINET UNIT HEATER SUBMITTAL DATA

CBS-A-15

Accessories

DUCT COLLAR INLET AND DISCHARGE

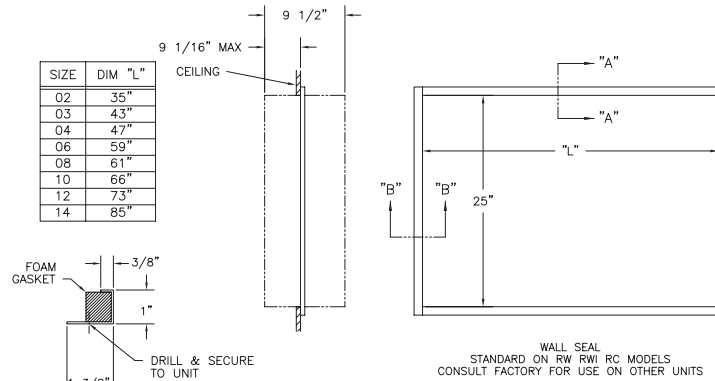
SIZE	DIM "W"
02	18 1/8"
03	26 1/8"
04	30 1/8"
06	42 1/8"
08	44 1/8"
10	49 1/8"
12	56 1/8"
14	68 1/8"



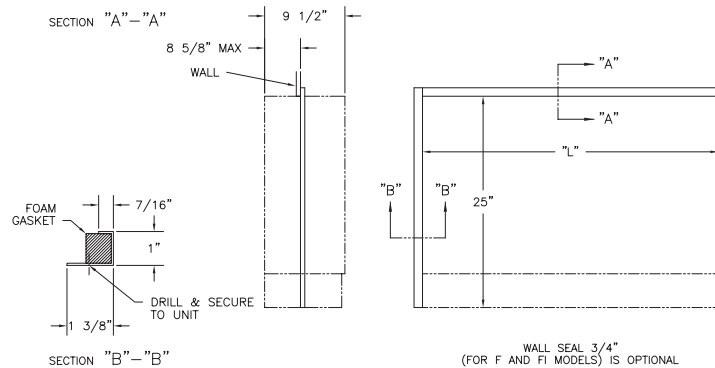
□ Option 114

WALL SEAL

SIZE	DIM "L"
02	35"
03	43"
04	47"
06	59"
08	61"
10	66"
12	73"
14	85"



□ Option 126B



□ Option 126A

WALL SEAL PIECES ARE ATTACHED TO UNIT AFTER UNIT RECESS DEPTH IS DETERMINED.

CAT00206A

PROJECT: _____
 LOCATION: _____
 ARCHITECT: _____
 ENGINEER: _____
 CONTRACTOR: _____
 PO NUMBER: _____
 DATE: _____



260 NORTH ELM STREET / WESTFIELD, MA 01085
 TEL: (800) 762-5005 FAX: (413) 572-3764
 www.turbonicsinc.com

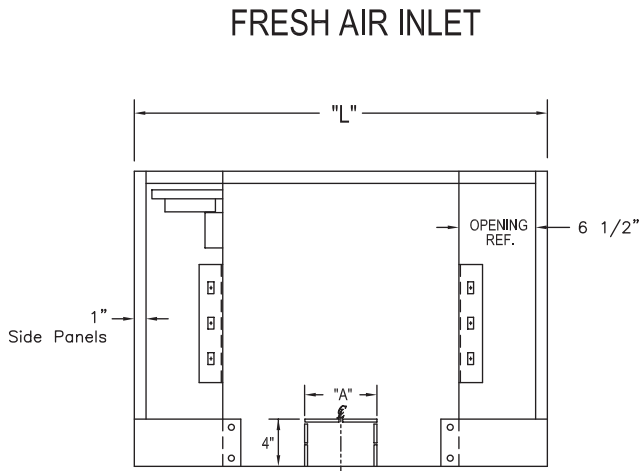


CABINET UNIT HEATER SUBMITTAL DATA

CBS-A-15

Accessories

SIZE	DIM "A"	DIM "L"
02	6 1/8"	35"
03	6 1/8"	43"
04	6 1/8"	47"
06	10 5/8"	59"
08	10 5/8"	61"
10	10 5/8"	66"
12	16 5/8"	73"
14	16 5/8"	85"



Option 118

Option 119

REAR VIEW
 FRESH AIR INLET
 OPENING IN INTERNAL CABINET
 KNOCKED OUT WHEN REQUIRED

Option 118 and 119

CAT00205B