

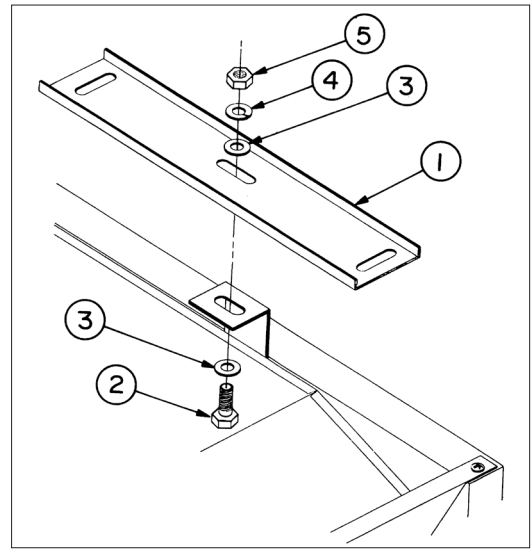
INSTALLATION INSTRUCTIONS & PARTS LIST FOUR TO TWO-POINT SUSPENSION KIT

ADAPTS FOUR-POINT TO TWO-POINT BALANCED SUSPENSION
FOR PROPELLER UNIT HEATERS (QVF-100/400 & QVEF-100/400)

KIT CONTENTS

1. (2) BRACKETS, 12 GA. C.R.S.
2. (2) BOLTS, 1/2"-13 UNC* X 3" lg.
3. (4) WASHERS, PLAIN
4. (2) WASHERS, LOCK
5. (2) NUTS, 1/2"-13 UNC

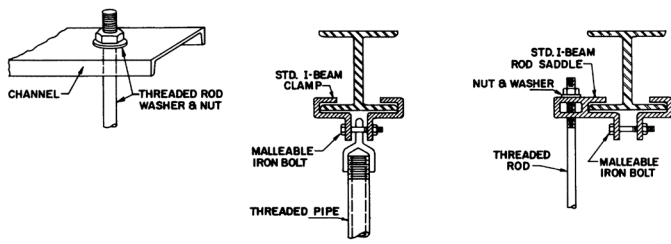
*1/2" diameter, 13 threads per inch
(Unified National Course).



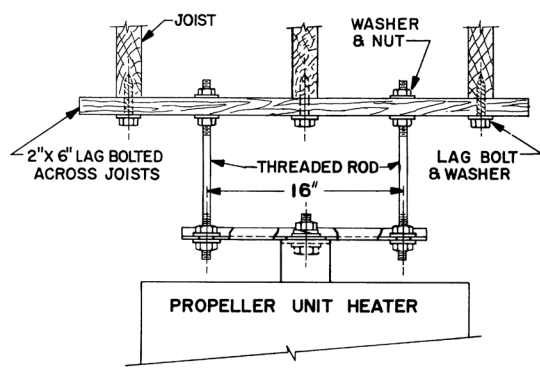
- A. **PRIOR TO INSTALLATION:** Prior to adapting any existing four-point suspension, determine that it is secure by inspecting the existing heater mounting, wood joists, I-beams, bolts, washers and clamps.
- B. **CLEARANCE:** Every gas appliance shall be located with respect to the building construction and other equipment so as to permit access to the appliance. Clearance between the vertical walls and vertical sides of the appliance shall be no less than 18 inches. Minimum clearance between top of the appliance and ceiling is 6 inches. Minimum clearance from combustibles to the bottom of the unit is 12 inches. However, this bottom clearance should be maintained at 21 inches for access to the burners. The minimum clearance from combustible to the flue collector is 6". Adequate clearance must be maintained around air openings into the combustion chamber.

HEATER MOUNTING

STEEL CONSTRUCTION*



WOOD CONSTRUCTION JOISTS*



*ALL HANGING HARDWARE & WOOD BY OTHERS.