

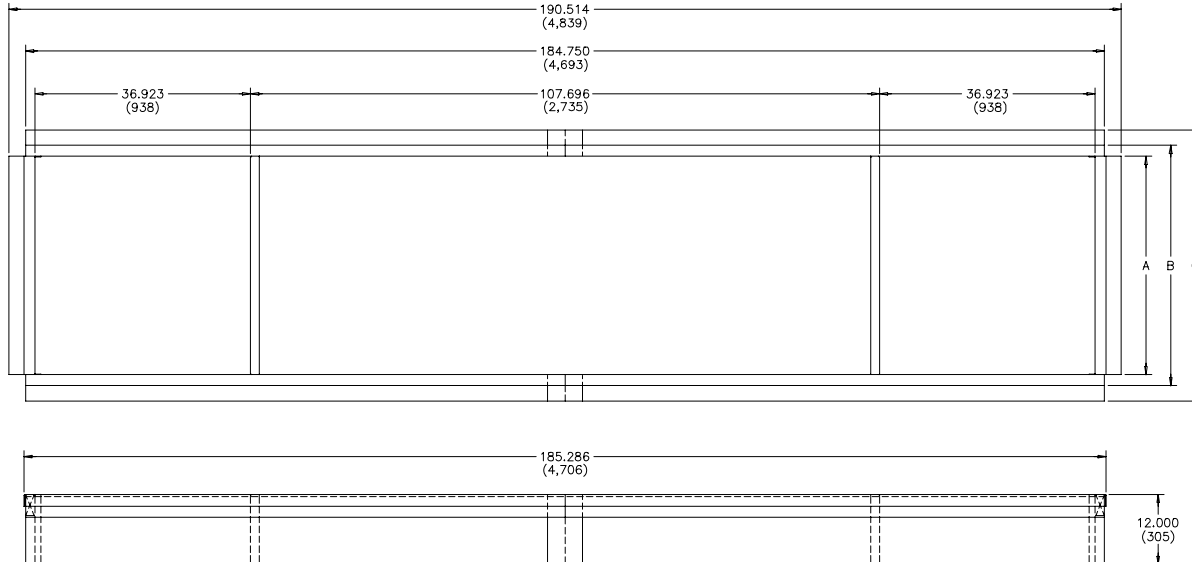
# ENGINEERED PRODUCTS

## Roof Curb Kit - RC010 (-2, -3, -4)

For use with:

Rooftop Arrangement (RA) - J, Capacity (CA) - 12

Rooftop Arrangement (RA) - L, Capacities (CA) - 50/80



DIMENSIONS ARE IN INCHES  
 DIMENSIONS IN ( ) ARE IN MILLIMETERS  
 THEORETICAL DIMENSIONS GIVEN; ACTUAL DIMENSIONS MAY VARY WITHIN .125 IN. (3 MM)

CAPACITY (CA)	A	B	C
50	37.425 (951)	41.175 (1,046)	46.403 (1,179)
60/70	48.425 (1,230)	52.175 (1,325)	57.403 (1,458)
80/12	53.925 (1,370)	57.675 (1,465)	62.903 (1,598)

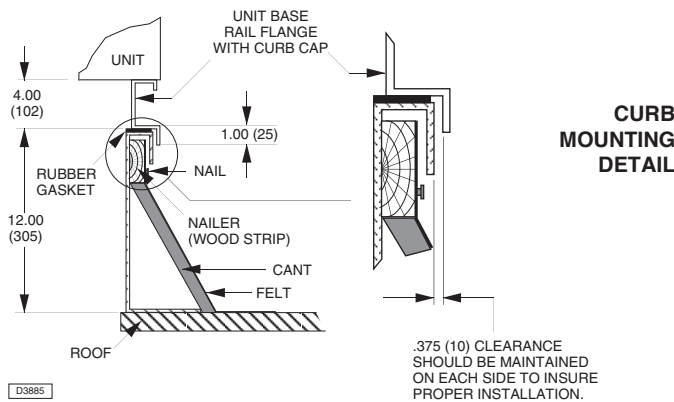
Roof Curb kits ship dis-assembled for ease of handling and storage. All kits ship complete with mounting hardware (for unit to curb), insulation, gasketing, sealant and installation instructions for field mounting.

Provide a suitable opening, or two openings, in the roof as suggested in the individual arrangement drawings, for the supply and/or return air ducts. The installer may determine his own openings to accept supply and/or return air ducts to suit his particular needs. He must also ensure that the installation will not impair the function of the curb or the unit.

All roof curbs are to be mounted on level areas (it may have to be shimmed or built up if necessary). The roof must be suitable to support the weight of both the curb and the unit to be mounted. Refer to the installation instructions for further mounting/installation requirements.

All seams and joints must be sealed completely prior to and after installation to prevent any water or air leakage/damage.

Once the unit has been properly mounted, remove (if necessary) the service panels from the return air and supply air compartments. Attach the ductwork to the lips provided in the bottom panels of these compartments, and seal these seams. See the individual sectional drawings in this submittal for further details.



260 NORTH ELM ST. WESTFIELD, MA 01085  
 (413) 564-5540 • FAX: (413) 562-5311

www.sterlinghvac.com  A MESTEK COMPANY

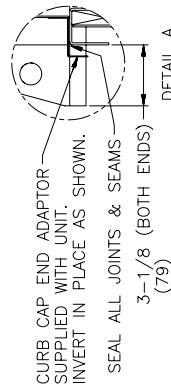
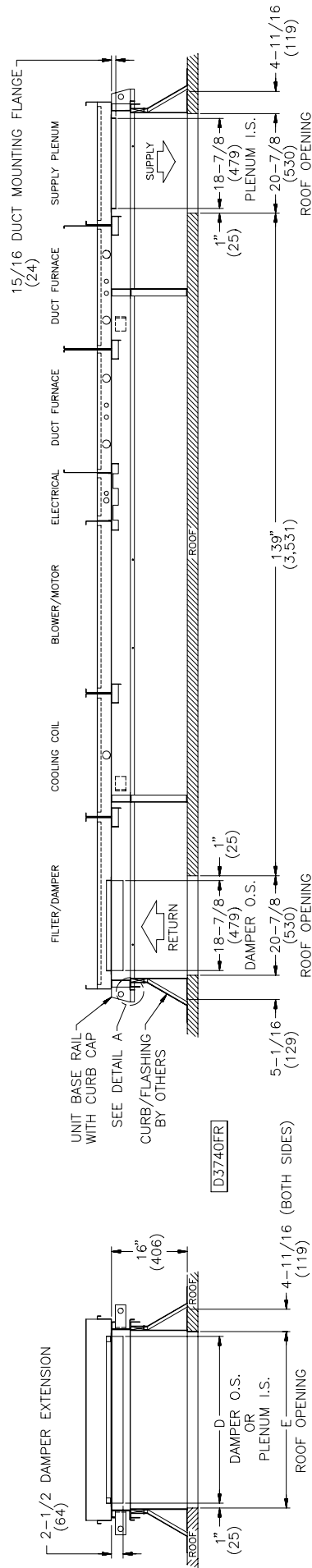
Project: \_\_\_\_\_

Unit Tag: \_\_\_\_\_



# Roof Curb Kit Application

**Rooftop Arrangement (RA) - L, Capacities (CA) - 50/80**  
**Use Kit #RC010 (-2 -3, -4)**



ARRANGEMENT L  
 CAPACITY (CA) 50/80  
 ROOF CURB KIT # RC010  
 CAT# D3740FR  
 7-12-96  
 DIMENSIONS ARE IN INCHES  
 (DIMENSIONS IN PARENTHESES ARE IN mm)

D3740FR

(BOTH SIDES)

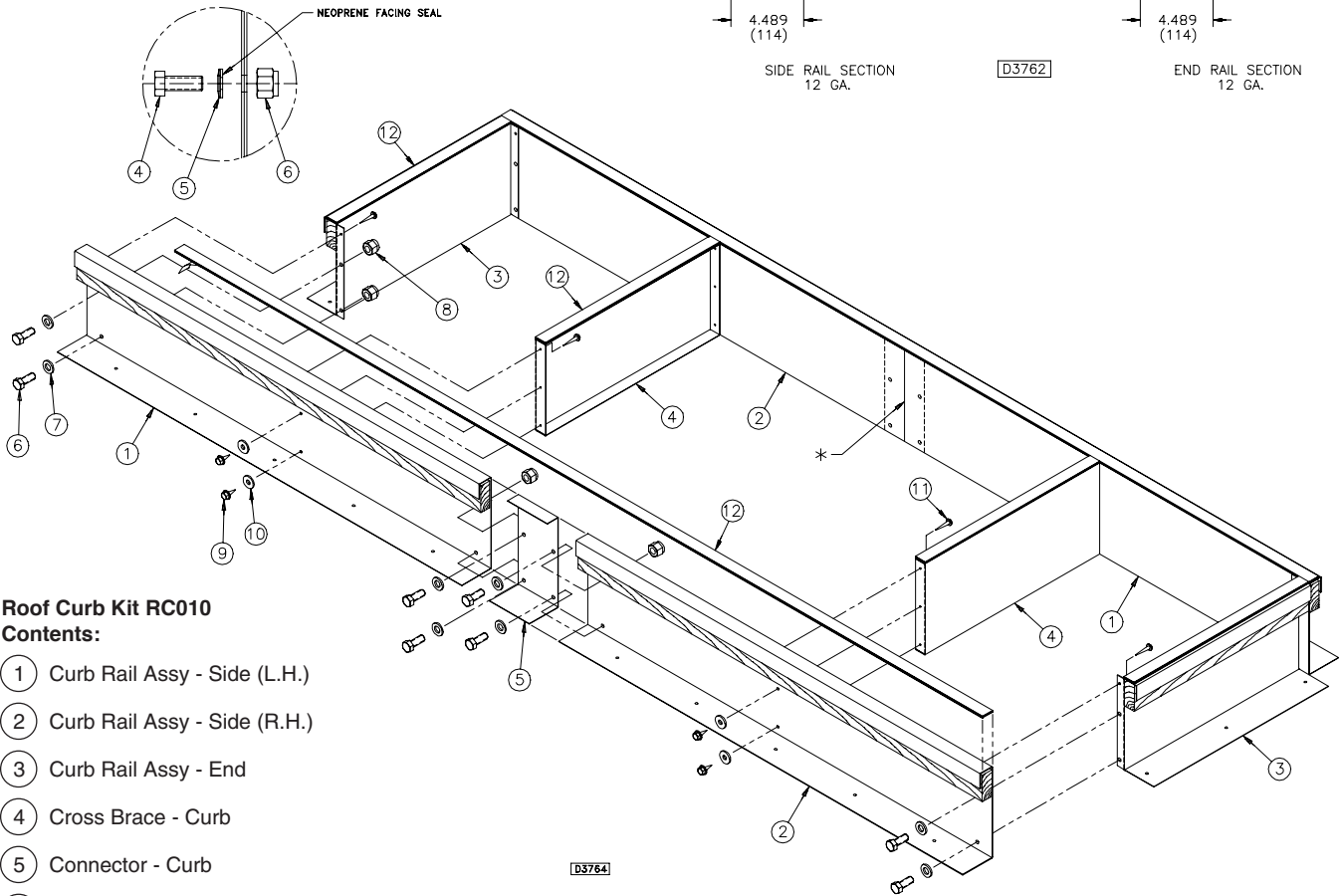
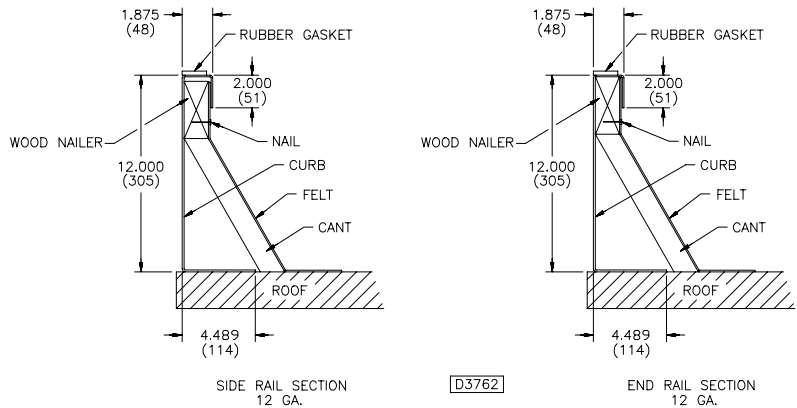
CAPACITY (CA)	D	E
50	35" (889)	37" (940)
60/70	46" (1,168)	48" (1,219)
80	51-1/2" (1,308)	53-1/2" (1,359)

# Roof Curb Kit Assembly\*

## Approximate Curb Kit Shipping Weight

RC010-	Capacity (CA)	Weight (lbs.)
-1	NA	NA
-2	50	375
-3	60/70	403
-4	80/12	418

1 lb. = 0.453 kg



### Roof Curb Kit RC010 Contents:

- ① Curb Rail Assy - Side (L.H.)
- ② Curb Rail Assy - Side (R.H.)
- ③ Curb Rail Assy - End
- ④ Cross Brace - Curb
- ⑤ Connector - Curb
- ⑥ Bolt - 3/8-16 x 1" LG. Hex HD. (16) required
- ⑦ 3/8 Neoprene Seal Washer (16) required
- ⑧ 3/8-16 Hex Nyloc Nut (16) required
- ⑨ 1/4-14 x 5/8 LG. Hex Washer HD. Sheet Metal Screw Type "AB" (8) required
- ⑩ 1/4 Neoprene Seal Washer (8) required
- ⑪ Screw - #10 x 1" LG. Pan HD. Type "BP" (8) required
- ⑫ Gasket

(4) Mounting Screws (curb to unit)

Sealant Tube(s)

Installation Instructions

**\*All seams/joints must be sealed completely!**