

INDOOR MAKE-UP AIR PRODUCTS

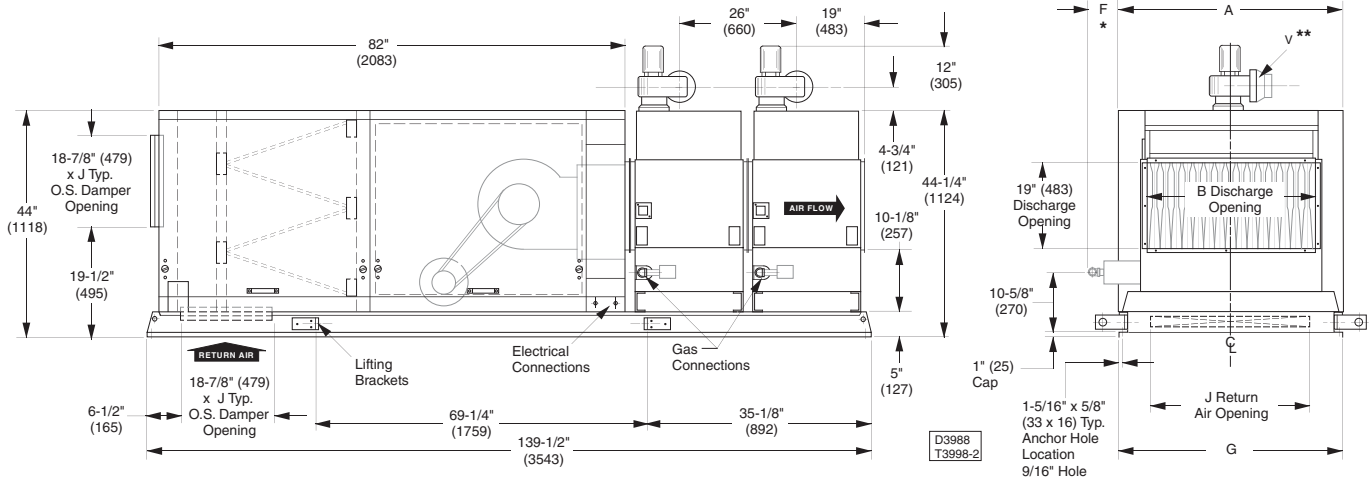
Model - ME(50-80) (A,B)† G

Unit Type (UT) - ME, Power Vent Indoor Make-Up Air Unit

Capacity (CA) - (50-80) (500-800 mBTU)

Furnace Type (FT) - A, B Standard Temperature Rise (30-80)F°

Indoor Arrangement (IA) - G, High CFM Blower Unit



CAPACITY	A	B	GAS INLET		F*	G	J	**V Dia.
			NAT	LP				
<input type="checkbox"/> 50	43-7/8 (1114)	29-5/16 (745)	3/4	1/2 OR 3/4	31-1/2 (800)	42-1/16 (1068)	35 (889)	5 (127)
<input type="checkbox"/> 60	54-7/8 (1394)	34-13/16 (884)	3/4	1/2 OR 3/4	34-1/4 (870)	53-1/16 (1348)	46 (1168)	**6 (152)
<input type="checkbox"/> 70	54-7/8 (1394)	40-5/16 (1024)	3/4	1/2 OR 3/4	42-1/4 (1073)	53-1/16 (1348)	46 (1168)	**6 (152)
<input type="checkbox"/> 80	60-3/8 (1534)	45-13/16 (1164)	3/4	1/2 OR 3/4	48 (1219)	58-9/16 (1487)	51-1/2 (1308)	**6 (152)

NOTE:

Dimensions are in inches (Dimensions in parenthesis are in millimeters)

* "F" Dimension is the recommended clearance to service the burner drawer.

** "V" Dia. = The Flue Opening; Capacities 60/70/80 will require a 5" to 6" Dia. In increaser for each furnace that will be supplied with the unit.

"J" is an outside dimension for outside or return air dampers.

Project: _____

Unit Tag: _____



260 NORTH ELM ST. WESTFIELD, MA 01085
(413) 564-5540 • FAX: (413) 562-5311

www.sterlinghvac.com A MESTEK COMPANY

The above dimensional drawing includes options that might not pertain to the unit being submitted for approval. Please note that the following items checked below are **not included** with the unit being submitted:

Outside Air Opening / Dampers

Return Air Openings / Dampers

INDOOR MAKE-UP AIR PRODUCTS

ME(50-80) (A,B)† G Performance Table

Capacity	TR (F°)	CFM	Input BTU/Hr.		Max. Output BTU/Hr.	TOTAL STATIC PRESSURE (INCHES OF WATER)											
			Max.	Min.		0.4		0.8		1		1.4		1.8		2	
						RPM	BHP	RPM	BHP	RPM	BHP	RPM	BHP	RPM	BHP	RPM	BHP
50	147	2,500				585	.58	715	.83	775	.97	885	1.24	985	1.53	1030	1.68
	123	3,000				645	.89	765	1.15	820	1.31	920	1.63	1015	1.96	1060	2.13
	105	3,500				715	1.31	820	1.59	865	1.75	960	2.11	1050	2.49	1095	2.68
	92	4,000	500,000	200,000	400,000	790	1.86	880	2.17	925	2.33	1010	2.70	1095	3.11	1130	3.33
	82	4,500				865	2.54	945	2.89	985	3.07	1065	3.44	1140	3.86	1180	4.09
	74	5,000				945	3.38	1015	3.78	1055	3.97	1125	4.36	1195	4.79	1230	5.02
	67	5,500				1020	4.40	1090	4.84	1125	5.05	1190	5.48	1255	5.92	1285	6.15
	61	6,000				1100	5.62	1165	6.09	1195	6.33	1255	6.80	1315	7.26	1345	7.50
60	164	2,700				570	.57	750	1.01	820	1.25	945	1.73	1050	2.24	1095	2.50
	147	3,000				590	.68	760	1.15	835	1.40	960	1.92	1065	2.47	1115	2.75
	111	4,000				675	1.21	815	1.73	885	2.03	1010	2.67	1120	3.34	1170	3.69
	88	5,000	600,000	240,000	480,000	775	2.01	890	2.61	950	2.93	1055	3.63	1160	4.40	1210	4.80
	74	6,000				880	3.16	985	3.84	1030	4.20	1125	4.96	1220	5.78	1265	6.21
	63	7,000				995	4.71	1080	5.48	1125	5.88	1210	6.72	1290	7.60	1330	8.06
	60	7,400				1040	5.46	1125	6.27	1165	6.68	1245	7.55	1320	8.46	1360	8.93
	70	161	3,200				540	.60	690	.98	755	1.19	865	1.64	965	2.13	1010
129		4,000				595	.92	735	1.36	795	1.59	900	2.09	1000	2.64	1040	2.92
103		5,000				675	1.48	795	2.02	850	2.29	950	2.86	1045	3.46	1085	3.77
86		6,000	700,000	280,000	560,000	755	2.27	865	2.90	915	3.23	1010	3.88	1095	4.55	1135	4.90
74		7,000				845	3.35	940	4.05	985	4.42	1075	5.18	1155	5.94	1195	6.32
65		8,000				935	4.75	1020	5.51	1065	5.92	1145	6.77	1220	7.63	1255	8.07
60		8,600				995	5.78	1075	6.56	1110	6.99	1190	7.89	1260	8.82	1295	9.28
80		159	3,700				550	.72	695	1.13	760	1.35	870	1.83	970	2.35	1015
	147	4,000				570	.84	710	1.28	770	1.51	885	2.00	980	2.53	1025	2.82
	118	5,000				635	1.34	760	1.87	820	2.14	925	2.70	1020	3.29	1065	3.59
	98	6,000	800,000	320,000	640,000	710	2.05	820	2.65	875	2.97	970	3.62	1060	4.28	1105	4.62
	84	7,000				790	3.02	890	3.66	935	4.02	1025	4.77	1110	5.52	1150	5.91
	74	8,000				875	4.30	960	4.97	1005	5.35	1090	6.17	1165	7.03	1205	7.46
	66	9,000				960	5.91	1040	6.63	1080	7.03	1155	7.89	1225	8.83	1265	9.31
	60	9,800				1030	7.47	1105	8.24	1140	8.65	1210	9.54	1280	10.52	1315	11.03

NOTES: The pressure drop for Accessories (from the following table) must be allowed for when using the above Performance table. Unless otherwise specified, the following conversions may be used for calculating SI units:
 1 Cu. Ft. = 0.028m³, 1 ft. = 0.305m, 1 in. = 25.4mm, 1 psig = 6.894 kPa, 1000 Btu per hr. = 0.293 kW,
 1 in. water column = 0.249 kPa, 1 gallon = 3.785 L, 1000 Btu/Cu. Ft. = 37.5 MJ/m³, 1 lb. = 0.453 kg.

ME(50-80) (A,B)† G Accessories Pressure Drop Table

Capacity	CFM	PRESSURE LOSS (INCHES OF WATER)								
		OPTIONAL RAINHOOD		FILTERS						Outside or Return Air Damper
		With		Throwaway	Washable		Pleated			
Screen	Mstr. Elim.	1"	2"		1"	2"				
50	2,300	.04	.05	.04	<.01	<.01	.05	.02	.05	
	2,500	.04	.06	.05	<.01	.01	.05	.03	.06	
	3,000	.06	.08	.06	.01	.02	.07	.04	.08	
	3,500	.09	.11	.08	.01	.02	.09	.05	.11	
	4,000	.11	.15	.09	.02	.03	.12	.07	.15	
	4,500	.14	.19	.11	.02	.03	.14	.08	.19	
	5,000	.17	.23	.12	.03	.04	.17	.10	.23	
	5,500	.21	.28	.14	.04	.05	.20	.12	.28	
60	6,000	.25	.33	.16	.04	.06	.23	.14	.33	
	2,700	.03	.04	.03	<.01	<.01	.03	.01	.04	
	3,000	.04	.05	.03	<.01	<.01	.03	.02	.05	
	4,000	.06	.09	.05	<.01	.01	.05	.03	.08	
	5,000	.10	.13	.06	.01	.02	.08	.04	.13	
	6,000	.14	.19	.08	.02	.02	.10	.06	.19	
	7,000	.20	.26	.10	.02	.03	.13	.08	.25	
70	7,400	.22	.29	.11	.02	.03	.15	.08	.28	
	3,200	.04	.05	.03	<.01	<.01	.04	.02	.05	
	4,000	.06	.09	.05	<.01	.01	.05	.03	.08	
	5,000	.10	.13	.06	.01	.02	.08	.04	.13	
	6,000	.14	.19	.08	.02	.02	.10	.06	.19	
	7,000	.20	.26	.10	.02	.03	.13	.08	.25	
	8,000	.26	.34	.12	.03	.04	.17	.10	.33	
	8,600	.30	.40	.13	.03	.05	.19	.11	.38	
80	3,700	.04	.06	.03	<.01	<.01	.04	.02	.06	
	4,000	.05	.07	.04	<.01	<.01	.04	.02	.07	
	5,000	.08	.11	.05	<.01	.01	.06	.03	.10	
	6,000	.11	.15	.07	.01	.02	.08	.04	.15	
	7,000	.16	.21	.08	.02	.02	.10	.06	.20	
	8,000	.20	.27	.10	.02	.03	.13	.07	.26	
	9,000	.26	.35	.12	.03	.04	.16	.09	.33	
	9,800	.31	.41	.13	.03	.05	.18	.11	.39	

ME(50-80) (A,B)† G Weights & Filter Data

Unit Weights

Approximate weights for Arrangement "G" (Less Motor)†			
Unit Type	Net Wt.†	Ship Wt.†	Add for Optional
Capacity	(Lb.)	(Lb.)	Outside Air Hood*
ME50	1209	1374	51
ME60	1434	1609	59
ME70	1503	1678	59
ME80	1612	1792	63

Filter Data

Capacity	(Quantity) Filter Size
50	(8) 20 x 20
60,70	(8) 16 x 20
	(4) 20 x 20
80	(12) 20 x 20

† See motor spec #MDS-1 for motor weight/adder & amperage.

* Optional - Shipped in separate carton.

MODEL NUMBER

	1	2	3	4	5	6	7	8	9	10	11	12	13	14	15	16	+
--	---	---	---	---	---	---	---	---	---	----	----	----	----	----	----	----	---

(EXX)	M	E	*	*	*	†	G										
-------	---	---	---	---	---	---	---	--	--	--	--	--	--	--	--	--	--

DIGITS 3 & 4 = (CA) CAPACITY; DIGIT 5 = (FT) FURNACE TYPE; DIGIT 6 = †(FM) FURNACE MATERIAL.
REFER TO CATALOG FOR MODEL NUMBER DESCRIPTION.