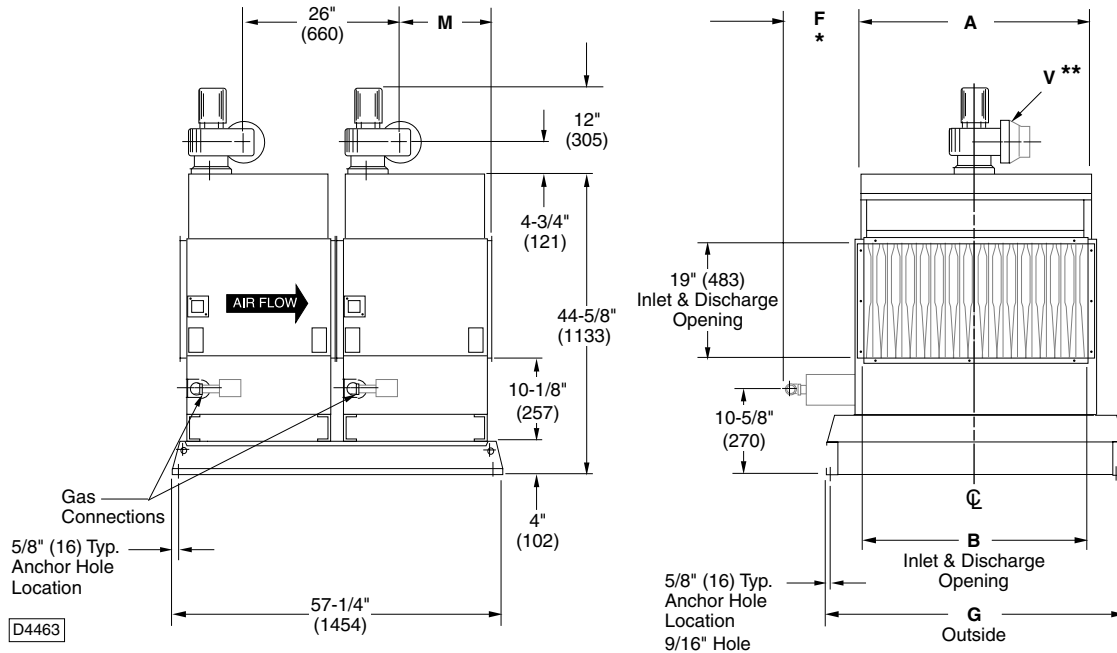


ENGINEERED PRODUCTS

Model - ME(50-80) (A, B)† A

Unit Type (UT) - ME, Power Vented Indoor Make-Up Air Unit
Capacity (CA) - (50-80) (500-800 mBTU)

Furnace Type (FT) - A, B Standard Temperature Rise (30-80)F°
Indoor Arrangement (IA) - A, Duct Furnace



Capacity	A	B	*F	G	M	V Dia. **
50	31-5/8" (803)	29-5/16" (745)	37-5/8" (956)	41-1/8" (1045)	20-1/4" (514)	5 (127)
60	37-1/8" (943)	34-3/16" (884)	43-1/8" (1095)	52-1/8" (1324)	20-1/4" (514)	6 (152)
70	42-5/8" (1083)	40-5/16" (1024)	48-5/8" (1235)	52-1/8" (1324)	20-1/4" (514)	6 (152)
80	48-1/8" (1222)	45-13/16" (1164)	54-1/8" (1375)	57-5/8" (1464)	21-1/4" (540)	6 (152)

NOTE:

*"F" Dimension is the recommended clearance to service the burner drawer.

**"V" Dia. = Flue Opening (ME - Power Vent Units Only);

The 5" to 6" increaser adaptor is supplied by the manufacturer for unit capacities 60, 70, & 80.

Gas Inlet sizes: Natural Gas = 3/4" Dia.

LP Gas = 1/2" or 3/4" Dia.



260 NORTH ELM ST. WESTFIELD, MA 01085
(413) 564-5540 • FAX: (413) 562-5311

www.sterlinghvac.com  A MESTEK COMPANY

Project: _____

Unit Tag: _____



ME(50-80) (A, B)† A Weights, Material and Performance Data

Unit Weights

Approximate weights for Arrangement "A"†		
Unit Type	Net Wt.†	Ship Wt.†
Capacity	(Lb.)	(Lb.)
ME50	589	686
ME60	684	788
ME70	734	838
ME80	806	914

Conversion 1 lb. = 0.453 kg.

†The approximate net and shipping weights shown are for a basic unit (these weights do not include any options).

†(FM) Furnace Construction Material

- 1 - Aluminized Steel
- 2 - 409 Stainless Steel (First Furnace Only)
- 3 - 409 Stainless Steel (All Furnace Sections)
- 4 - 321 Stainless Steel (First Furnace Only)
- 5 - 321 Stainless Steel (All Furnace Sections)
- 6 - 409 Stainless Steel Package (First Furnace Only)
- 7 - 409 Stainless Steel Package (All Furnace Sections)
- 8 - 321 Stainless Steel Package (First Furnace Only)
- 9 - 321 Stainless Steel Package (All Furnace Sections)
- 0 - None
- Z1 - Other

Performance Data

Unit Type ME Capacity 50-80 Furnace Type A,B Indoor Arrangement "A"	INPUT RATING BTU/Hr (kW)	OUTPUT RATING BTU/Hr (kW)	EFF. %	Temp. Rise F. Deg. (C Deg.)		CFM		Pressure Drop In. of Water		Nat. Gas Inlet (in.)	L.P. Gas Inlet (in.)
				MIN.	MAX.	MIN.	MAX.	MIN.	MAX.		
50 A/B	500,000 (146.4)	400,000 (117.1)	80	40 (22)	120 (67)	3,086 (1.457)	9,269 (4.375)	0.30 (0.07)	2.16 (0.54)	3/4	1/2 OR 3/4
60 A/B	600,000 (175.7)	480,000 (140.6)	80	40 (22)	120 (67)	3,704 (1.748)	11,111 (5.244)	0.30 (0.07)	2.20 (0.55)	3/4	1/2 OR 3/4
70 A/B	700,000 (205.0)	560,000 (164.0)	80	40 (22)	120 (67)	4,321 (2.040)	12,963 (6.119)	0.30 (0.07)	2.22 (0.55)	3/4	1/2 OR 3/4
80 A/B	800,000 (234.3)	640,000 (187.4)	80	40 (22)	120 (67)	4,938 (2.331)	14,815 (6.993)	0.30 (0.07)	2.24 (0.56)	3/4	1/2 OR 3/4

MODEL NUMBER

	1	2	3	4	5	6	7	8	9	10	11	12	13	14	15	16	+
(EXX)	M	E	*	*	*	†	A										

DIGITS 3 & 4 = (CA) CAPACITY, DIGIT, 5 = (FT) FURNACE TYPE, DIGIT 6 =†(FM) FURNACE MATERIAL.
REFER TO CATALOG FOR MODEL NUMBER DESCRIPTION.