

ROOF CURB KIT INSTALLATION INSTRUCTIONS

FOR USE WITH THE FOLLOWING KITS:

Standard Kits RC001, RC002, RC003, RC004 and RC006

(Optional) Uninsulated Kits URC001, URC002, URC003, URC004, and URC006*

* The "URC" kits are identical to the "RC" kits with the exception of the insulation.

Roof Curb Kits RC002, URC002, RC004 and URC004 include an evaporative cooler platform.

ATTENTION

Read these instructions carefully prior to installing this equipment.

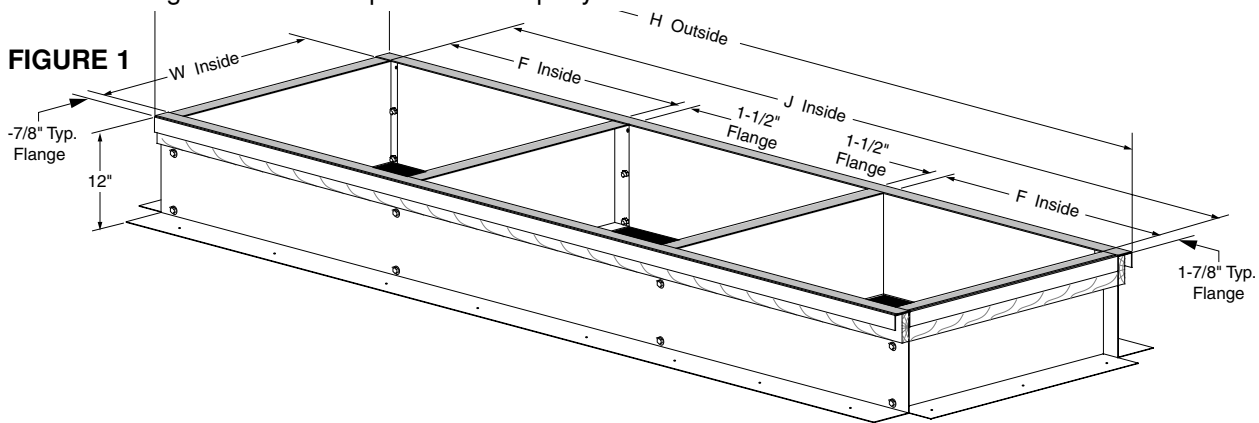
Check all specifications and make sure the appropriate equipment is being installed.

Record the Model number in the space provided. Retain this manual for future reference!

WARNING: Improper installation, adjustment, alteration, service or maintenance can cause property damage, injury or death. Read the installation instructions thoroughly before installing or servicing this equipment.

RECEIVING INSTRUCTIONS

Inspect the shipment immediately when received to determine if any damage has occurred to the unit during shipment. After the Roof Curb Kit(s) have been unpacked, check for any visible damage to the parts. If any damage is found, the consignee should sign the bill of lading indicating such damage and immediately file claim for the damage with the transportation company.



DIMENSIONAL DATA

Roof Curb Kit No.*	RC001, RC002, RC003, RC004, & RC006-* CAPACITY	W†	B†
* - 1	10, 15	26- 7/16 (672)	30- 3/16 (767)
* - 2	20, 25, 50	37- 7/16 (951)	41- 3/16 (1046)
* - 3	30, 35, 60, 70	48- 7/16 (1230)	52- 3/16 (605)
* - 4	40, 80, 12	53-15/16 (1370)	57-11/16 (1465)

† Dimensions are in inches.
(Dimensions in parenthesis are in millimeters.)

Approximate Roof Curb Kit Weights

Roof Curb Kit No.*	Rooftop (RA) Arrangement	Capacity (CA)	Roof Curb Kit Suffix No. - *			
			* - 1	* - 2	* - 3	* - 4
RC001-*	B	10 thru 40	115	133	151	161
	N	20 or 40				
RC002-*	D	10 thru 40	145	163	181	191
	R	20 or 40				
RC003-*	B	50 thru 80	150	168	186	196
	C	10 thru 40				
RC004-*	D	50 thru 80	180	198	216	226
	E	10 thru 40				
RC006-*	G	20 thru 40	NA	179	197	207
	T	20 or 40				
	U	20 or 40				

Roof Curb Kit No.*	Rooftop (RA) Arrangement	Capacity (CA)	F† (inside)	H† (outside)	J† (inside)
RC001-*	B	10 thru 40	29 - 5/8	71 - 1/8	67 - 3/8
	N	20 or 40	(752)	(1807)	(1711)
RC002-*	D	10 thru 40	29 - 5/8	71 - 1/8	67 - 3/8
	R	20 or 40	(752)	(1807)	(1711)
RC003-*	B	50 thru 80	29 - 5/8"	97 - 1/8	93 - 3/8
	C	10 thru 40	(752)	(2467)	(2372)
RC004-*	D	50 thru 80	29 - 5/8"	97 - 1/8	93 - 3/8
	E	10 thru 40	(752)	(2467)	(2372)
RC006-*	G	20 thru 40	37 - 3/16 (945)	107 - 5/16 (605)	103 - 9/16 (2630)
	T	20 or 40			
	U	20 or 40			

† Dimensions are in inches.
(Dimensions in parenthesis are in millimeters.)
NA = Not Applicable

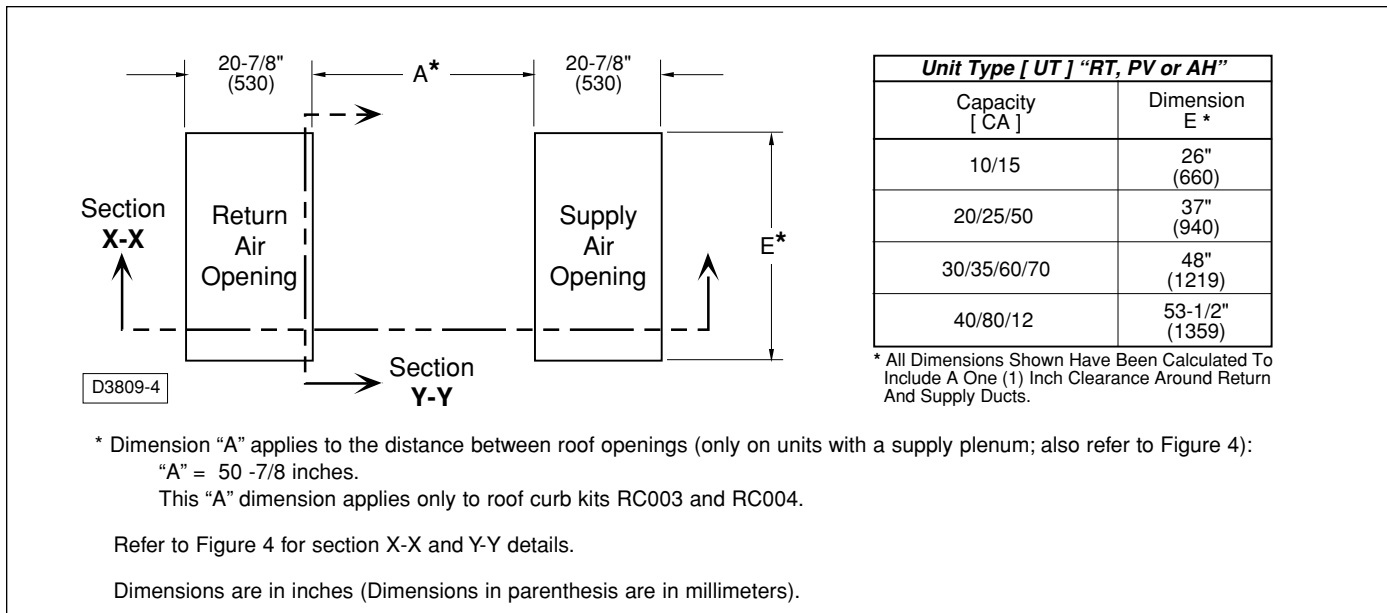
Roof Curb kits ship knocked down for ease of handling and storage. The field assembly and mounting of the curb to the roof is the responsibility of the installer. All kits ship complete with pre-assembled side and end rails, cross member supports, hardware, insulation and gasketing. See Figure 3 for a complete parts list for your kit. Check to see that all components of the kit are included. Refer to Figures 3, 4, 5 & 6 to see if all other field supplied parts are also on hand.

Provide a suitable opening, or two openings, in the roof as suggested per Figures 2 & 4. These return

and/or supply air openings have been calculated to include a one inch clearance on each side of the duct-work. The installer may determine his/her own opening(s) to accept return and/or supply air ducts to suit his/her particular needs.

WARNING
To avoid any property damage or personal injury, it is the installer's responsibility to make sure that the installation will not impair the function of this curb, or the unit to be installed.

FIGURE 2 - ROOF OPENING SPECIFICATIONS



All curbs must be mounted on level areas. The roof must be suitable to support the weight of both the curb and the unit to be mounted. The enclosed area of the roof curb must comply to required clearances to combustible materials. If the roof construction is made of combustible materials, the enclosed roof curb area must meet the following requirements:

- (1) Ventilate this area;
- (2) Leave area open (however, this may elevate higher sound levels);
- (3) Cover this area with non-combustible material, which utilizes an "R" value of 5.0 minimum.

Position and assemble the curb, referring to Figures 1 thru 6, and the following procedure:

- (1) All hardware used for these assembly procedures is included with your kit, and should be used. **Do not tighten any hardware until the curb is completely level and square, and installed in a suitable position on the roof, with proper alignment to the roof/unit opening(s).**

- (2) Position and install the end and side curb rail sub-assemblies, aligning around the roof opening location(s).
- (3) Position and install the inner cross brace(s) as shown.
- (4) Secure the roof curb to the roof decking.
- (5) Install the field supplied flashing/ materials.
- (6) Apply the gasketing (included with the kit) on the top flanges/surfaces of the curb as shown.

WARNING
To avoid any property damage or personal injury, it is the installer's responsibility that the roof curb and unit must be completely sealed, preventing any water or air leakage/damage.

FIGURE 3 - ROOF CURB KIT ASSEMBLY*

* The roof curb and destined unit must be sealed completely to prevent any water or air leakages.

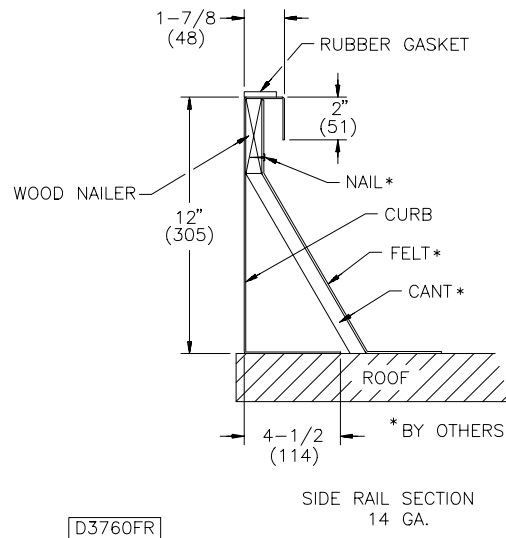
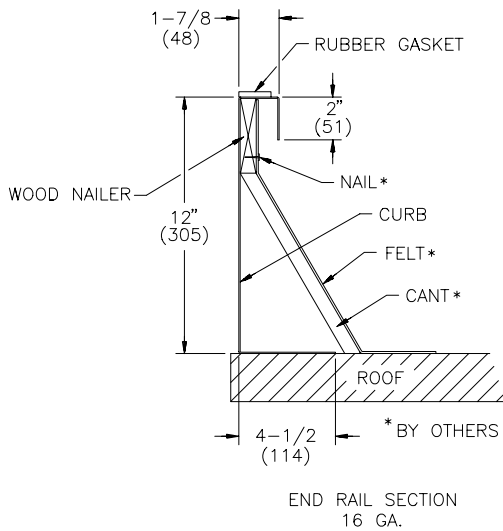
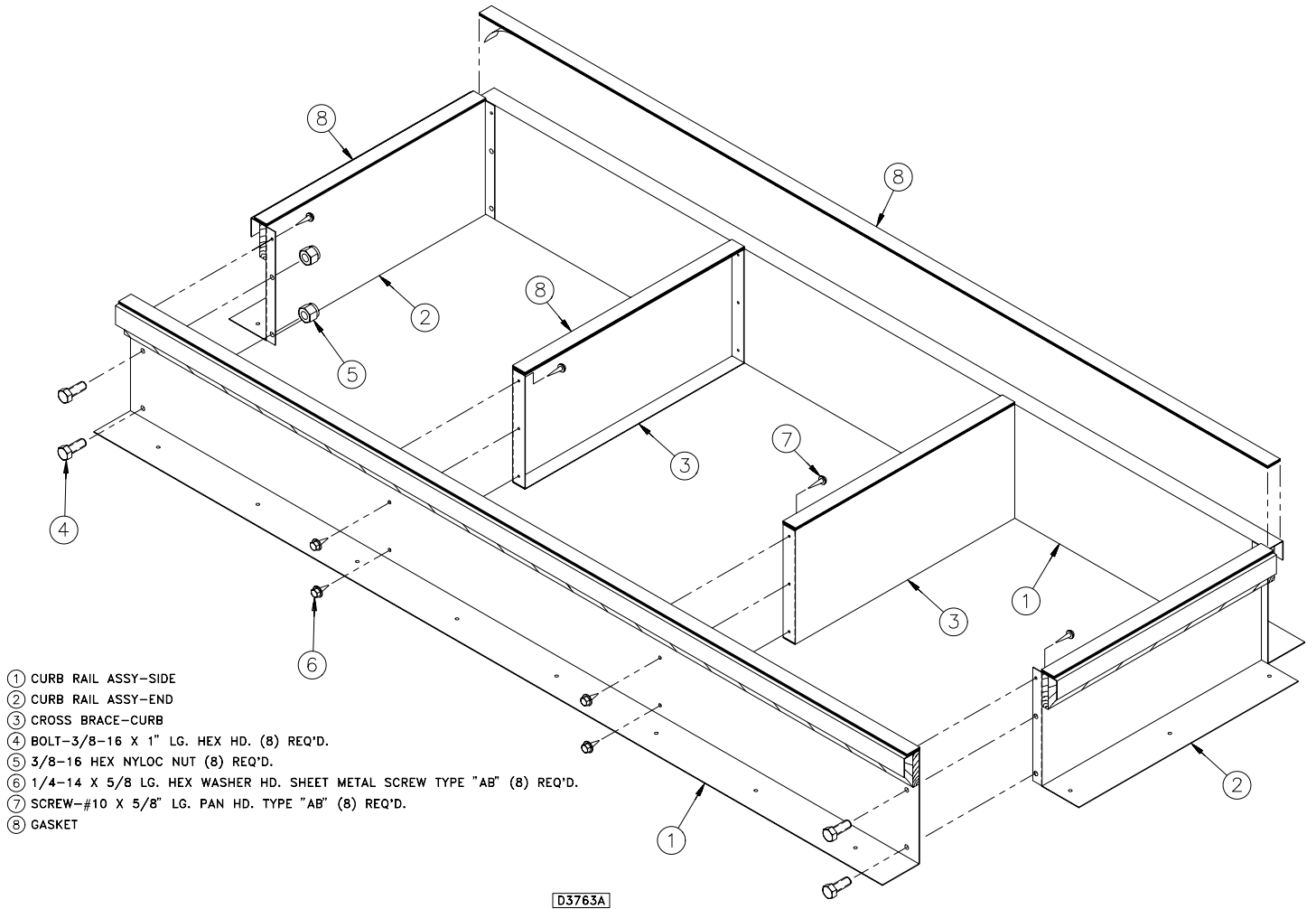
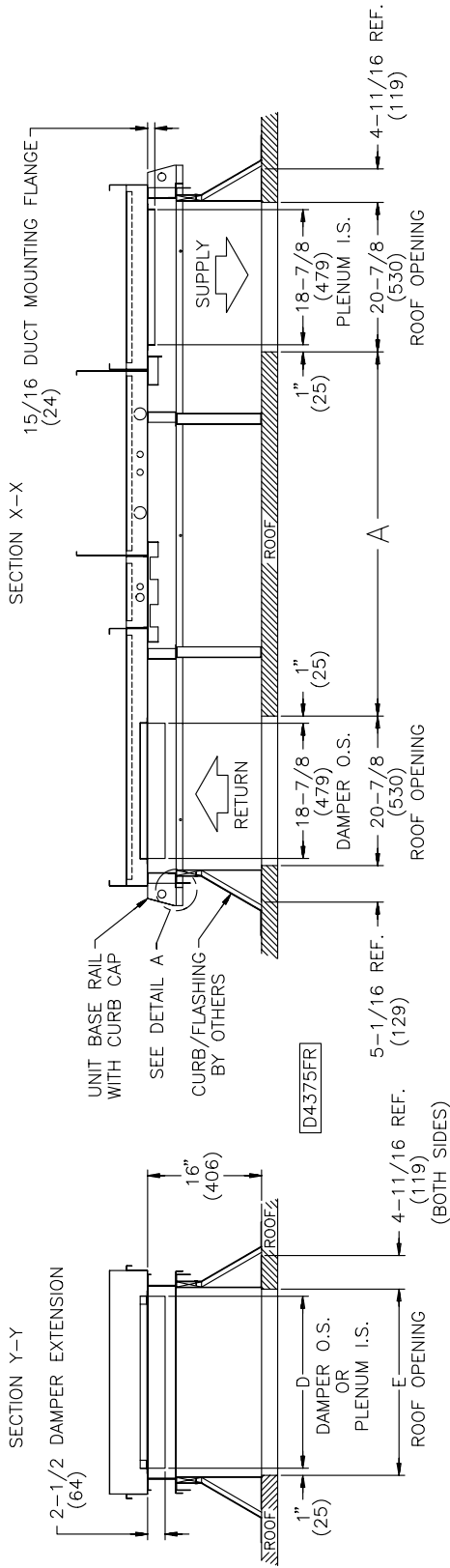


FIGURE 4 - ROOF CURB KIT APPLICATION (Also refer to Figure 2)



MODEL	D	E
10,15	24\"/>	

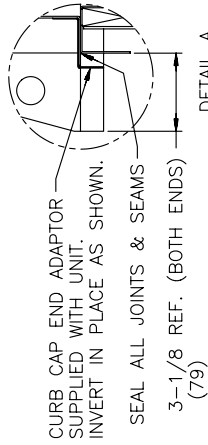


FIGURE 5 - CURB SPECIFICATIONS

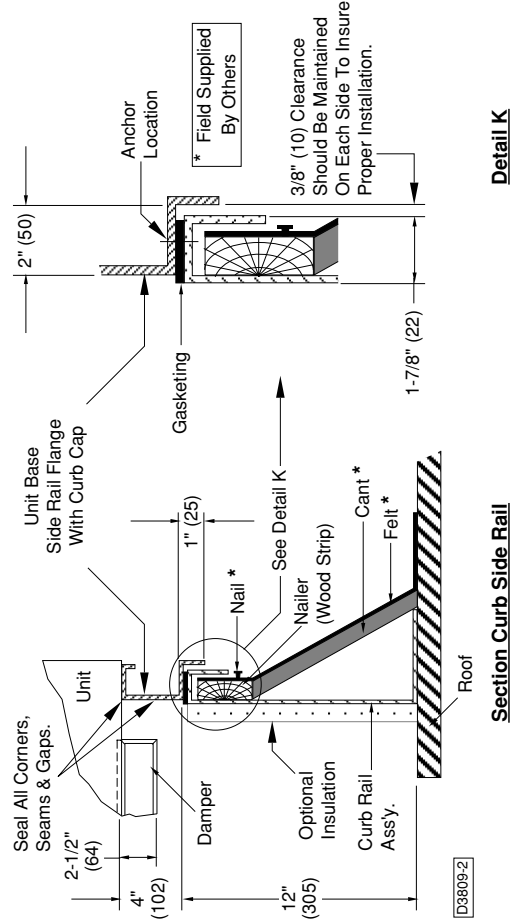


FIGURE 6 - UNIT/CURB RAIL ASSEMBLY

