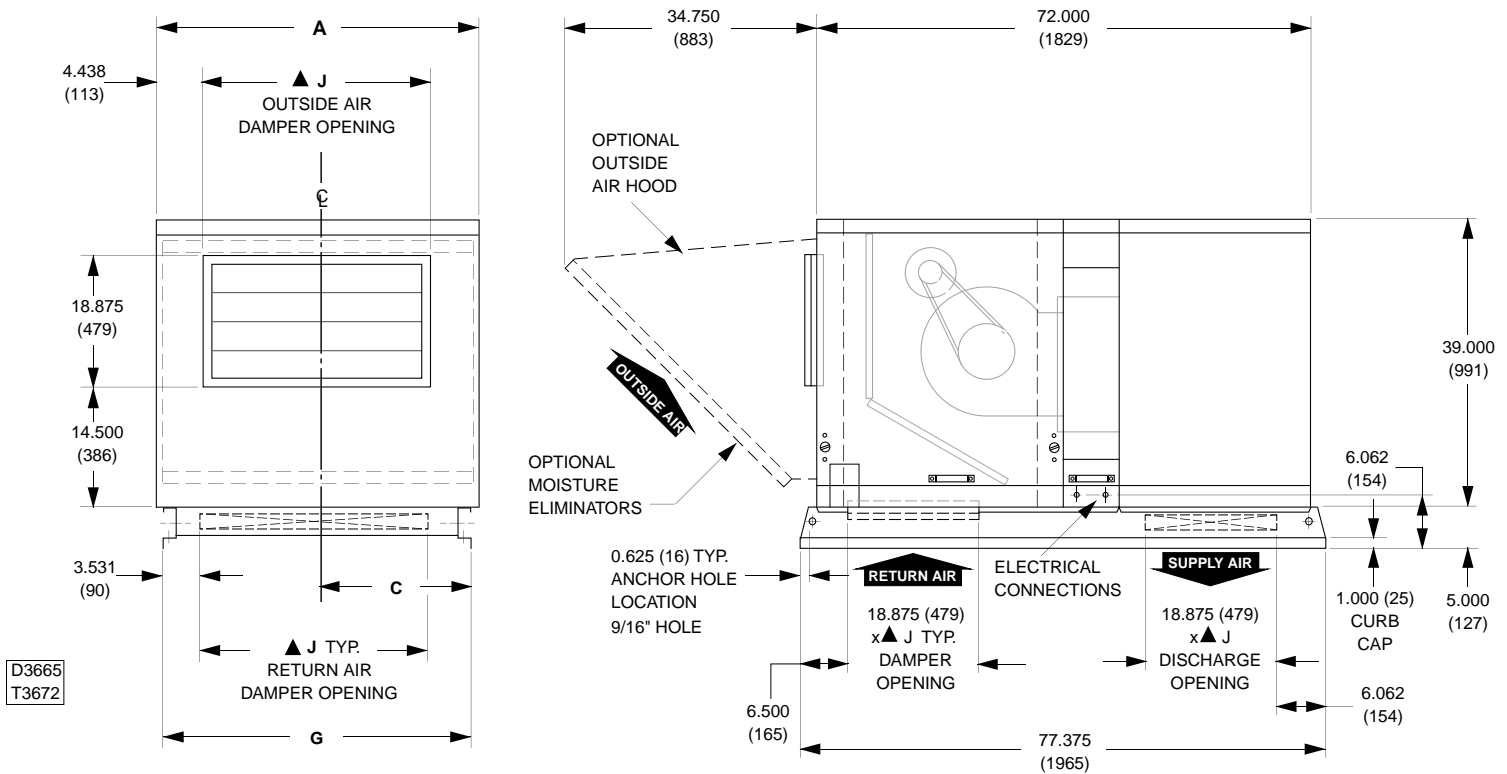


ENGINEERED PRODUCTS



Model - AH(20, 40) (0) (0) N

Unit Type (UT) - AH, Standard Air Handler with Supply Plenum
 Capacity (CA) - 20 or 40 (200 or 400 mBTU)
 Furnace Type/Access Side (FT) - A, Right Hand or B, Left Hand
 Furnace Construction Material (FM) - 0, None
 Rooftop Arrangement (RA) - N, Standard Air Handler



CAPACITY	A	B	C	G	▲J
<input type="checkbox"/> 20	43.875 (1114)	23.812 (605)	21.938 (557)	42.062 (1068)	35.000 (889)
<input type="checkbox"/> 40	60.375 (1534)	45.812 (1164)	30.188 (767)	58.562 (1487)	51.500 (1308)

NOTE:
 DIMENSIONS ARE IN INCHES, DIMENSIONS IN PARENTHESIS ARE IN MILLIMETERS.
 ▲ "J" DIMENSION IS AN OUTSIDE DIMENSION FOR RETURN AIR DAMPERS.
 ▲ "J" DIMENSION IS AN INSIDE OPENING FOR SUPPLY AIR (WITHOUT DAMPERS).

Project: _____

Unit Tag: _____

260 NORTH ELM ST. WESTFIELD, MA 01085
 (413) 564-5540 • FAX: (413) 562-5311
 www.sterlinghvac.com A MESTEK COMPANY

The above dimensional drawing includes options that might not pertain to the unit being submitted for approval. Please note that the following items checked below are **not included** with the unit being submitted:

Outside Air Opening / Dampers Outside Air Hood

Return Air Openings / Dampers

ENGINEERED PRODUCTS

AH(20, 40) (0) (0) N Performance Table

		TOTAL EXTERNAL STATIC PRESSURE (INCHES OF WATER)															
		0.2		0.4		0.6		0.8		1		1.2		1.4		1.6	
Capacity	CFM	RPM	BHP	RPM	BHP	RPM	BHP	RPM	BHP	RPM	BHP	RPM	BHP	RPM	BHP	RPM	BHP
20	1,500	395	0.12	530	0.19	645	0.27	750	0.35	845	0.44	930	0.54	1010	0.65	1085	0.76
	2,000	435	0.22	550	0.30	655	0.40	750	0.49	835	0.59	915	0.70	995	0.81	1065	0.93
	3,000	555	0.61	630	0.71	710	0.83	790	0.96	865	1.09	935	1.23	1000	1.37	1065	1.51
	4,000	700	1.33	750	1.47	805	1.61	865	1.75	930	1.90	990	2.07	1045	2.25	1105	2.43
	5,000	855	2.51	890	2.68	930	2.85	975	3.02	1020	3.19	1070	3.37	1120	3.55	1170	3.75
	5,500	935	3.30	965	3.49	1000	3.67	1040	3.86	1080	4.05	1120	4.24	1165	4.43	1210	4.63
	6,000	1015	4.25	1040	4.45	1075	4.65	1105	4.85								
40	4,000	450	0.46	565	0.64	670	0.82	760	1.01	845	1.22	930	1.43	1005	1.66	1075	1.90
	5,000	510	0.79	605	0.99	700	1.21	785	1.44	860	1.67	935	1.91	1005	2.16	1070	2.42
	6,000	575	1.28	655	1.49	740	1.73	815	2.00	885	2.28	955	2.56	1020	2.84	1085	3.12
	7,000	650	1.95	715	2.19	785	2.44	855	2.73	920	3.04	985	3.36	1045	3.68	1105	4.00
	8,000	725	2.83	780	3.10	840	3.38	905	3.67	965	3.99	1025	4.34	1080	4.71		

		TOTAL EXTERNAL STATIC PRESSURE (INCHES OF WATER)													
		1.8		2		2.2		2.4		2.6		2.8		3	
Capacity	CFM	RPM	BHP	RPM	BHP	RPM	BHP	RPM	BHP	RPM	BHP	RPM	BHP	RPM	BHP
20	2,000	1135	1.06												
	3,000	1125	1.66	1180	1.81	1240	1.96	1295	2.12	1350	2.28	1405	2.45	1455	2.62
	4,000	1160	2.61	1210	2.80	1260	2.98	1310	3.17	1360	3.35	1405	3.54	1455	3.74
	5,000	1220	3.96	1265	4.18	1310	4.40	1360	4.63	1400	4.86				
	5,500	1255	4.84												
40	4,000	1140	2.15	1205	2.42										
	5,000	1135	2.69	1200	2.97										
	6,000	1140	3.41	1200	3.71	1255	4.02	1315	4.34	1365	4.67	1420	5.00		
	7,000	1160	4.33	1215	4.66	1270	4.99								

NOTES: The pressure drop for Accessories from the following table, must be allowed for when using the above Performance table.

Unless otherwise specified, the following conversions may be used for calculating SI units.

1 Cu. Ft. = 0.028m³, 1 ft. = 0.305m, 1 in. = 25.4mm, 1 psig = 6.894 kPa, 1000 Btu per hr. = 0.293 kW,

1 in. water column = 0.249 kPa, 1 gallon = 3.785 L, 1000 Btu/Cu. Ft. = 37.5 MJ/m³, 1 lb. = 0.453 kg.

AH(20, 40) (0) (0) N Accessories Pressure Drop Table

		PRESSURE LOSS (INCHES OF WATER)									
		RAINHOOD WITH		FILTERS						SUPPLY PLENUM	RETURN DAMPER
		SCREEN	ELIM	THROWAWAY		WASHABLE		PLEATED			
Capacity	CFM			2"	1"	2"	1"	2"			
20	1,600	.02	.02	.05	<.01	.01	.06	.03	.02	.03	
	1,800	.02	.03	.06	<.01	.01	.07	.04	.03	.03	
	2,000	.02	.03	.07	.01	.02	.08	.04	.03	.04	
	2,200	.03	.04	.08	.01	.02	.09	.05	.04	.05	
	2,400	.03	.05	.09	.02	.02	.11	.06	.05	.05	
	2,500	.04	.05	.09	.02	.03	.12	.07	.05	.06	
	3,000	.05	.07	.12	.03	.04	.16	.09	.07	.08	
	4,000	.09	.13	.17	.05	.07	.26	.16	.13	.15	
	5,000	.15	.20	—	.07	.11	.38	.23	.21	.23	
	5,500	.18	.25	—	.09	.13	.44	.28	.25	.28	
40	4,000	.04	.06	.10	.02	.03	.13	.07	.04	.07	
	4,400	.05	.07	.11	.03	.04	.15	.09	.05	.08	
	4,800	.06	.09	.13	.03	.04	.18	.10	.05	.10	
	5,000	.07	.10	.13	.03	.05	.19	.11	.06	.10	
	6,000	.10	.14	.17	.05	.07	.26	.16	.08	.15	
	7,000	.13	.19	—	.07	.09	.33	.21	.11	.20	
	8,000	.17	.24	—	.09	.12	.42	.26	.15	.26	

AH(20, 40) (0) (0) N Weights, Filter Data & Roof Openings

Unit Weights

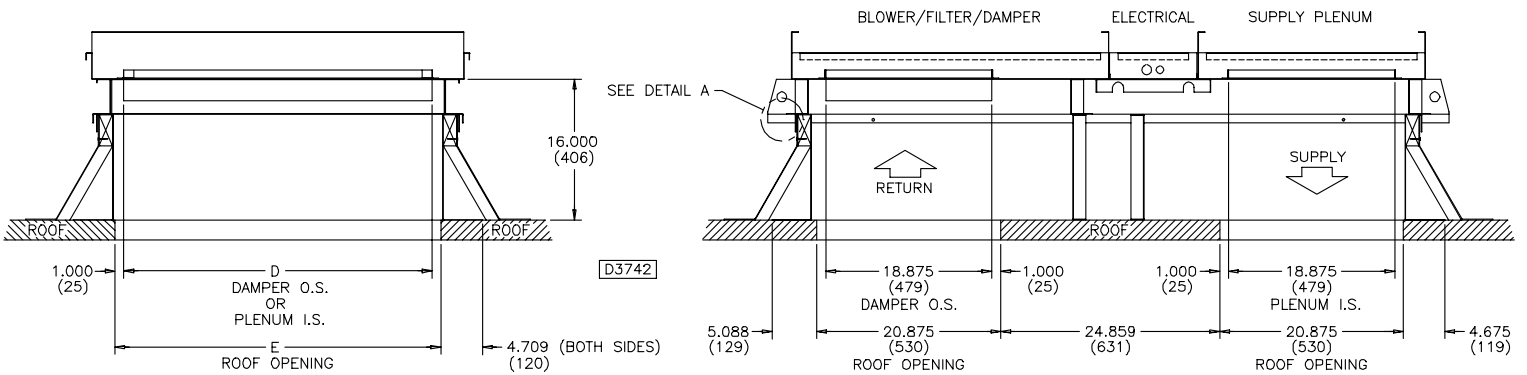
Approximate weights for Arrangement "N"			
Unit Type	Net Wt.	Ship Wt.	Add for
Capacity	(Lb.)	(Lb.)	Outside Air Hood
AH20	509	616	51
AH40	649	767	63

See motor spec #MDS-1 for motor weight/adder & amperage.

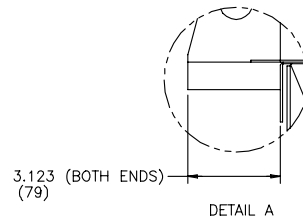
Filter Data

Capacity	(Quantity) Filter Size
20	(4) 20 x 20
40	(6) 20 x 20

Roof Openings



CAPACITY (CA)	D	E
20	35.000 (889)	37.000 (940)
40	51.500 (1,308)	53.500 (1,359)



**ROOF CURB KIT
#RC001**

MODEL NUMBER

	1	2	3	4	5	6	7	8	9	10	11	12	13	14	15	16	+
(EXX)	A	H	*	*	0	0	N										

*DIGITS 3 & 4 = (CA) CAPACITY
REFER TO CATALOG FOR MODEL NUMBER DESCRIPTION.



260 NORTH ELM ST. WESTFIELD, MA 01085
(413) 568-9571 • FAX: (413) 562-5311

www.sterlinghvac.com  A MESTEK COMPANY