

# VERSA-LINE

## Submittal

Style VA-X / VB-X  
Versa-Line  
Copper/Aluminum and  
Steel Element Ratings

# Specification

VA-X Flat Top Enclosure

**ENCLOSURE:**

- STYLE : Flat Top  
 OUTLET: 3/4" Sq. Perf  
 LENGTHS: 2' thru 8' in 6" Increments  
 MATERIAL:  18 Ga. CRS Std.  
            16 Ga. CRS (Opt'l.)  
            14 Ga. CRS (Opt'l.)  
 FINISH:  Baked Primer (Std.)  
            Baked Enamel (Opt'l.)  
            16 Ga. Stainless Steel (Opt'l.)  
            14 Ga. Aluminum (Opt'l.)

**ACCESSORIES:**

All overlapping type.

VA-X

ELEMENT TUBE SIZE	FIN SIZE HEIGHT x WIDTH	CRADLE NUMBER	A	B
3/4 COPPER	3 1/4 x 3 1/4	2	7 3/16	6 3/8
1" COPPER	3 1/4 x 3 1/4	2	7 3/16	6 3/16
1 1/4 COPPER	3 1/4 x 3 1/4	1	7 3/16	6 3/4
1" STEEL	3 1/4 x 3 1/4	2	7 3/16	6 1/16
1 1/4 STEEL	3 1/4 x 3 1/4	1	7 3/16	6 9/16

VB-X Flat Top Enclosure

**BACKPLATE:**

TYPE: N/A

**BRACKETS:**

B.B. Hanger Wall Mtd.

**ELEMENT:**

- TYPE:  Cu/Al (Mechanically Expanded)  
 LENGTHS: 2'0" thru 12'6" in 1" Increments for 1" & 1-1/4" Cu.  
           2' thru 8' in 1" Increments for 3/4 Cu" & 1-1/4" Cu.

One End Flared, Std.

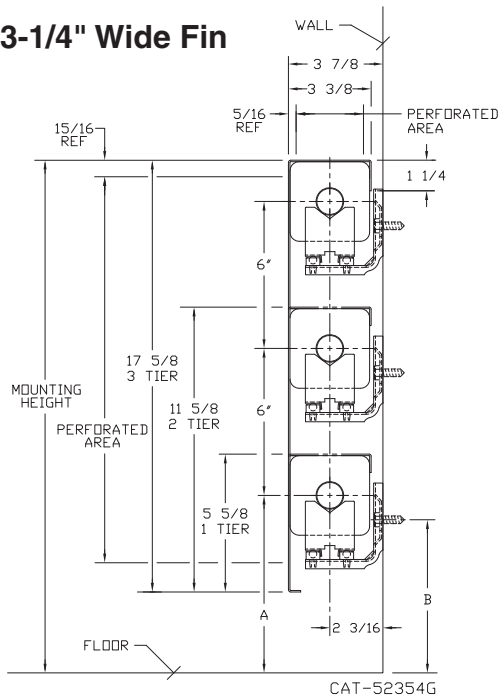
TYPE:  IPS Steel (Mechanically Expanded)

- LENGTHS: 2'0" thru 12'6" in 1" Increments  
 N.P.T. Thread Both Ends Std.  
 Beveled Ends For Field Weld.  
 See Catalog for Working Pressures

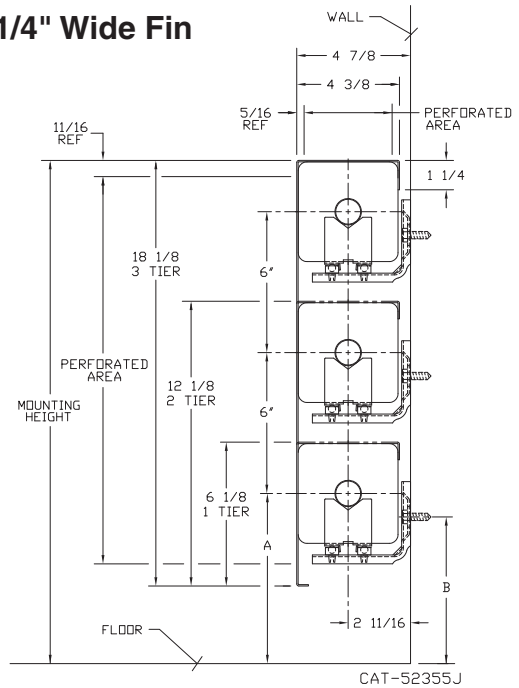
VB-X

ELEMENT TUBE SIZE	FIN SIZE HEIGHT x WIDTH	CRADLE NUMBER	A	B
3/4 COPPER	3 5/8 x 4 1/4	2	7 1/2	6 11/16
	4 1/4 x 4 1/4	3A	7 3/16	5 15/16
1" COPPER	3 5/8 x 4 1/4	2	7 1/2	6 1/2
	4 1/4 x 4 1/4		7 3/16	6 3/16
1 1/4 COPPER	3 5/8 x 4 1/4	2	7 1/2	6 3/8
	4 1/4 x 4 1/4		7 3/16	6 1/16
1" STEEL	4 1/4 x 4 1/4	2	7 3/16	6 1/16
1 1/4 STEEL	4 1/4 x 4 1/4	2	7 3/16	5 7/8
2" STEEL	4 1/4 x 4 1/4	1	7 3/16	6 1/8

**3-1/4" Wide Fin**



**4-1/4" Wide Fin**



COMMERCIAL HYDRONIC PRODUCTS

260 North Elm St., Westfield, MA 01085  
 (413) 564-5535 Fax: (413) 562-8437

www.sterlingheat.com

PROJECT: \_\_\_\_\_ DATE: \_\_\_\_\_

LOCATION: \_\_\_\_\_

ARCHITECT: \_\_\_\_\_

ENGINEER: \_\_\_\_\_

CONTRACTOR: \_\_\_\_\_

PO NUMBER: \_\_\_\_\_



# STYLE "VA-X / VB-X" VERSA-LINE

## COPPER/ALUMINUM ELEMENT RATINGS

All ratings are based on 3 FPS velocity

I.P.S. SIZE	CATALOG DESIGNATION	FIN SIZE HEIGHT X WIDTH	FIN PER FT.	FIN THICKNESS IN INCHES	ENCL DEPTH AND HEIGHT IN INCHES	TIERS AND CENTERS IN INCHES	MTG. HEIGHT IN INCHES	STEAM 215° FACTOR	HOT WATER (AVG.)										
									200°	190°	180°	170°	160°	150°	140°	130°	120°	110°	100°
									CORRECTION FACTORS FOR AVERAGE WATER TEMPERATURES										
									1.00	.86	.78	.69	.61	.53	.45	.40	.33	.26	.20
3/4"	C3/4-33	3-1/4" SQ.	32	.020	5A	1	8-7/8	930	800	730	640	570	490	420	370	310	240	190	140
					11A	2 @ 6 CL	14-7/8	1650	1420	1290	1140	1010	870	740	660	540	430	330	250
					17A	3 @ 6 CL	20-7/8	2310	1990	1800	1590	1410	1220	1040	920	760	600	460	350
3/4"	C3/4-34	3-1/4" SQ.	40	.020	5A	1	8-7/8	1090	940	850	750	660	580	490	440	360	280	220	160
					11A	2 @ 6 CL	14-7/8	1800	1550	1400	1240	1100	950	810	720	590	470	360	270
					17A	3 @ 6 CL	20-7/8	2470	2120	1930	1700	1510	1310	1110	990	820	640	490	370
3/4"	C3/4-35	3-1/4" SQ.	50	.020	5A	1	8-7/8	1210	1040	940	830	740	640	540	480	400	310	240	180
					11A	2 @ 6 CL	14-7/8	1930	1660	1510	1330	1180	1020	870	770	640	500	390	290
					17A	3 @ 6 CL	20-7/8	2580	2220	2010	1780	1570	1370	1160	1030	850	670	520	390
1"	C33	3-1/4" SQ.	32	.020	5A	1	8-7/8	930	800	730	640	570	490	420	370	310	240	190	140
					11A	2 @ 6 CL	14-7/8	1650	1420	1290	1140	1010	870	740	660	540	430	330	250
					17A	3 @ 6 CL	20-7/8	2280	1960	1780	1570	1390	1210	1030	910	750	590	460	340
1"	C34	3-1/4" SQ.	40	.020	5A	1	8-7/8	1040	890	810	720	630	550	470	420	340	270	210	160
					11A	2 @ 6 CL	14-7/8	1780	1530	1390	1230	1090	940	800	710	590	460	360	270
					17A	3 @ 6 CL	20-7/8	2390	2060	1860	1650	1460	1270	1080	960	790	620	480	360
1"	C35	3-1/4" SQ.	50	.020	5A	1	8-7/8	1160	1000	900	800	710	610	520	460	380	300	230	170
					11A	2 @ 6 CL	14-7/8	1860	1600	1450	1280	1130	990	840	740	610	480	370	280
					17A	3 @ 6 CL	20-7/8	2500	2150	1950	1720	1530	1330	1130	1000	830	650	500	380
1-1/4"	C133	3-1/4" SQ.	32	.020	5A	1	8-7/8	930	800	730	640	570	490	420	370	310	240	190	140
					11A	2 @ 6 CL	14-7/8	1610	1380	1260	1110	980	850	720	640	530	420	320	240
					17A	3 @ 6 CL	20-7/8	2270	1950	1770	1570	1380	1200	1020	910	750	590	450	340
1-1/4"	C134	3-1/4" SQ.	40	.020	5A	1	8-7/8	1020	880	800	700	620	540	460	410	340	270	200	150
					11A	2 @ 6 CL	14-7/8	1770	1520	1380	1220	1080	940	800	710	580	460	350	270
					17A	3 @ 6 CL	20-7/8	2350	2020	1830	1620	1430	1250	1060	940	780	610	470	350
1-1/4"	C135	3-1/4" SQ.	50	.020	5A	1	8-7/8	1120	960	870	770	680	590	500	450	370	290	220	170
					11A	2 @ 6 CL	14-7/8	1820	1570	1420	1260	1110	960	820	730	600	470	360	270
					17A	3 @ 6 CL	20-7/8	2450	2110	1910	1690	1490	1300	1100	980	810	640	490	370
3/4"	C3/4-433	3-5/8" X 4-1/4"	32	.020	6B	1	9-3/8	1160	1000	900	800	710	610	520	460	380	300	230	170
					12B	2 @ 6 CL	15-3/8	2040	1750	1590	1410	1240	1080	920	820	670	530	410	310
					18B	3 @ 6 CL	21-3/8	2760	2370	2150	1900	1680	1460	1240	1100	910	720	550	410
3/4"	C3/4-434	3-5/8" X 4-1/4"	40	.020	6B	1	9-3/8	1390	1200	1080	960	850	740	630	560	460	360	280	210
					12B	2 @ 6 CL	15-3/8	2390	2060	1860	1650	1460	1270	1080	960	790	620	480	360
					18B	3 @ 6 CL	21-3/8	3170	2730	2470	2190	1930	1680	1430	1270	1050	820	630	480
3/4"	C3/4-435	3-5/8" X 4-1/4"	50	.020	6B	1	9-3/8	1540	1320	1200	1060	940	820	690	620	510	400	310	230
					12B	2 @ 6 CL	15-3/8	2540	2180	1980	1750	1550	1350	1140	1020	840	660	510	380
					18B	3 @ 6 CL	21-3/8	3310	2850	2580	2280	2020	1750	1490	1320	1090	860	660	500
1"	C433	3-5/8" X 4-1/4"	32	.020	6B	1	9-3/8	1210	1040	940	830	740	640	540	480	400	310	240	180
					12B	2 @ 6 CL	15-3/8	2130	1830	1660	1470	1300	1130	960	850	700	550	430	320
					18B	3 @ 6 CL	21-3/8	2880	2480	2250	1990	1760	1530	1300	1150	950	750	580	430
1"	C434	3-5/8" X 4-1/4"	40	.020	6B	1	9-3/8	1350	1160	1050	930	820	720	610	540	450	350	270	200
					12B	2 @ 6 CL	15-3/8	2320	2000	1810	1600	1420	1230	1040	930	770	600	460	350
					18B	3 @ 6 CL	21-3/8	3070	2640	2390	2120	1870	1630	1380	1230	1010	800	610	460
1"	C435	3-5/8" X 4-1/4"	50	.020	6B	1	9-3/8	1540	1320	1200	1060	940	820	690	620	510	400	310	230
					12B	2 @ 6 CL	15-3/8	2530	2180	1970	1750	1540	1340	1140	1010	830	660	510	380
					18B	3 @ 6 CL	21-3/8	3310	2850	2580	2280	2020	1750	1490	1320	1090	860	660	500
1-1/4"	C1433	3-5/8" X 4-1/4"	32	.020	6B	1	9-3/8	1260	1080	980	870	770	670	570	500	420	330	250	190
					12B	2 @ 6 CL	15-3/8	2220	1910	1730	1530	1350	1180	1000	890	730	580	440	330
					18B	3 @ 6 CL	21-3/8	3000	2580	2340	2070	1830	1590	1350	1200	990	780	600	450
1-1/4"	C1434	3-5/8" X 4-1/4"	40	.020	6B	1	9-3/8	1380	1190	1080	950	840	730	620	550	460	360	280	210
					12B	2 @ 6 CL	15-3/8	2370	2040	1850	1640	1450	1260	1070	950	780	620	470	360
					18B	3 @ 6 CL	21-3/8	3130	2690	2440	2160	1910	1660	1410	1250	1030	810	630	470
1-1/4"	C1435	3-5/8" X 4-1/4"	50	.020	6B	1	9-3/8	1540	1320	1200	1060	940	820	690	620	510	400	310	230
					12B	2 @ 6 CL	15-3/8	2540	2180	1980	1750	1550	1350	1140	1020	840	660	510	380
					18B	3 @ 6 CL	21-3/8	3320	2860	2590	2290	2030	1760	1490	1330	1100	860	660	500

# STYLE "VA-X / VB-X" VERSA-LINE

## COPPER/ALUMINUM ELEMENT RATINGS

All ratings are based on 3 FPS velocity

I.P.S. SIZE	CATALOG DESIGNATION	FIN SIZE HEIGHT X WIDTH	FIN PER FT.	FIN THICKNESS IN INCHES	ENCL DEPTH AND HEIGHT IN INCHES	TIERS AND CENTERS IN INCHES	MTG. HEIGHT IN INCHES	STEAM 215° FACTOR	HOT WATER (AVG.)										
									200°	190°	180°	170°	160°	150°	140°	130°	120°	110°	100°
									CORRECTION FACTORS FOR AVERAGE WATER TEMPERATURES										
									1.00	.86	.78	.69	.61	.53	.45	.40	.33	.26	.20
3/4"	C3/4 43	4-1/4" SQ.	32	.020	6B	1	9-3/8	1230	1060	960	850	750	650	550	490	410	320	250	180
					12B	2 @ 6 CL	15-3/8	2170	1870	1690	1500	1320	1150	980	870	720	560	430	330
					18B	3 @ 6 CL	21-3/8	2940	2530	2290	2030	1790	1560	1320	1180	970	760	590	440
3/4"	C3/4 44	4-1/4" SQ.	40	.020	6B	1	9-3/8	1400	1200	1090	970	850	740	630	560	460	360	280	210
					12B	2 @ 6 CL	15-3/8	2290	1970	1790	1580	1400	1210	1030	920	760	600	460	340
					18B	3 @ 6 CL	21-3/8	3100	2670	2420	2140	1890	1640	1400	1240	1020	810	620	470
3/4"	C3/4 45	4-1/4" SQ.	50	.020	6B	1	9-3/8	1570	1350	1220	1080	960	830	710	630	520	410	310	240
					12B	2 @ 6 CL	15-3/8	2520	2170	1970	1740	1540	1340	1130	1010	830	660	500	380
					18B	3 @ 6 CL	21-3/8	3290	2830	2570	2270	2010	1740	1480	1320	1090	860	660	490
1"	C43	4-1/4" SQ.	32	.020	6B	1	9-3/8	1290	1110	1010	890	790	680	580	520	430	340	260	190
					12B	2 @ 6 CL	15-3/8	2280	1960	1780	1570	1390	1210	1030	910	750	590	460	340
					18B	3 @ 6 CL	21-3/8	3100	2670	2420	2140	1890	1640	1400	1240	1020	810	620	470
1"	C44	4-1/4" SQ.	40	.020	6B	1	9-3/8	1430	1230	1120	990	870	760	640	570	470	370	290	210
					12B	2 @ 6 CL	15-3/8	2390	2060	1860	1650	1460	1270	1080	960	790	620	480	360
					18B	3 @ 6 CL	21-3/8	3190	2740	2490	2200	1950	1690	1440	1280	1050	830	640	480
1"	C45	4-1/4" SQ.	50	.020	6B	1	9-3/8	1610	1380	1260	1110	980	850	720	640	530	420	320	240
					12B	2 @ 6 CL	15-3/8	2540	2180	1980	1750	1550	1350	1140	1020	840	660	510	380
					18B	3 @ 6 CL	21-3/8	3320	2860	2590	2290	2030	1760	1490	1330	1100	860	660	500
1-1/4"	C143	4-1/4" SQ.	32	.020	6B	1	9-3/8	1340	1150	1050	920	820	710	600	540	440	350	270	200
					12B	2 @ 6 CL	15-3/8	2370	2040	1850	1640	1450	1260	1070	950	780	620	470	360
					18B	3 @ 6 CL	21-3/8	3230	2780	2520	2230	1970	1710	1450	1290	1070	840	650	480
1-1/4"	C144	4-1/4" SQ.	40	.020	6B	1	9-3/8	1590	1370	1240	1100	970	840	720	640	520	410	320	240
					12B	2 @ 6 CL	15-3/8	2570	2210	2000	1770	1570	1360	1160	1030	850	670	510	390
					18B	3 @ 6 CL	21-3/8	3350	2880	2610	2310	2040	1780	1510	1340	1110	870	670	500
1-1/4"	C145	4-1/4" SQ.	50	.020	6B	1	9-3/8	1640	1410	1280	1130	1000	870	740	660	540	430	330	250
					12B	2 @ 6 CL	15-3/8	2360	2030	1840	1630	1440	1250	1060	940	780	610	470	350
					18B	3 @ 6 CL	21-3/8	3070	2640	2390	2120	1870	1630	1380	1230	1010	800	610	460

Note: Copper tube furnished flared one end standard.

## STEEL ELEMENT RATINGS

All ratings are based on 3 FPS velocity

I.P.S. SIZE	CATALOG DESIGNATION	FIN SIZE HEIGHT X WIDTH	FIN PER FT.	FIN THICKNESS IN INCHES	ENCL DEPTH AND HEIGHT IN INCHES	TIERS AND CENTERS IN INCHES	MTG. HEIGHT IN INCHES	STEAM 215° FACTOR	HOT WATER (AVG.)										
									200°	190°	180°	170°	160°	150°	140°	130°	120°	110°	100°
									CORRECTION FACTORS FOR AVERAGE WATER TEMPERATURES										
									1.00	.86	.78	.69	.61	.53	.45	.40	.33	.26	.20
1"	S33	3-1/4" SQ.	32	.032	5A	1	8-7/8"	870	750	680	600	530	460	390	350	290	230	170	130
					11A	2 @ 6 CL	14-7/8"	1520	1310	1190	1050	930	810	690	610	500	400	300	230
					17A	3 @ 6 CL	20-7/8"	2110	1820	1650	1460	1300	1130	960	840	700	550	420	320
1"	S34	3-1/4" SQ.	40	.032	5A	1	8-7/8"	950	820	740	660	580	510	430	380	310	250	190	140
					11A	2 @ 6 CL	14-7/8"	1630	1410	1280	1130	1000	870	740	650	540	420	330	240
					17A	3 @ 6 CL	20-7/8"	2260	1950	1770	1570	1390	1210	1030	900	750	590	450	340
1"	S35	3-1/4" SQ.	50	.032	5A	1	8-7/8"	1020	880	800	710	630	540	460	410	340	270	200	150
					11A	2 @ 6 CL	14-7/8"	1720	1490	1350	1190	1060	920	780	690	570	450	340	260
					17A	3 @ 6 CL	20-7/8"	2350	2030	1840	1630	1440	1250	1070	940	780	610	470	350
1-1/4"	S133	3-1/4" SQ.	32	.032	5A	1	8-7/8"	860	740	670	600	530	460	390	340	280	220	170	130
					11A	2 @ 6 CL	14-7/8"	1560	1350	1220	1080	960	830	710	620	510	410	310	230
					17A	3 @ 6 CL	20-7/8"	2150	1860	1690	1490	1320	1150	980	860	710	560	430	320
1-1/4"	S134	3-1/4" SQ.	40	.032	5A	1	8-7/8"	960	830	750	670	590	510	440	380	320	250	190	140
					11A	2 @ 6 CL	14-7/8"	1630	1410	1280	1130	1000	870	740	650	540	420	330	240
					17A	3 @ 6 CL	20-7/8"	2160	1870	1690	1500	1330	1150	980	860	710	560	430	320
1-1/4"	S135	3-1/4" SQ.	50	.032	5A	1	8-7/8"	990	860	780	690	610	530	450	400	330	260	200	150
					11A	2 @ 6 CL	14-7/8"	1680	1450	1320	1170	1030	900	760	670	550	440	340	250
					17A	3 @ 6 CL	20-7/8"	2190	1890	1720	1520	1340	1170	990	880	720	570	440	330

# STYLE "VA-X / VB-X" VERSA-LINE

## STEEL ELEMENT RATINGS

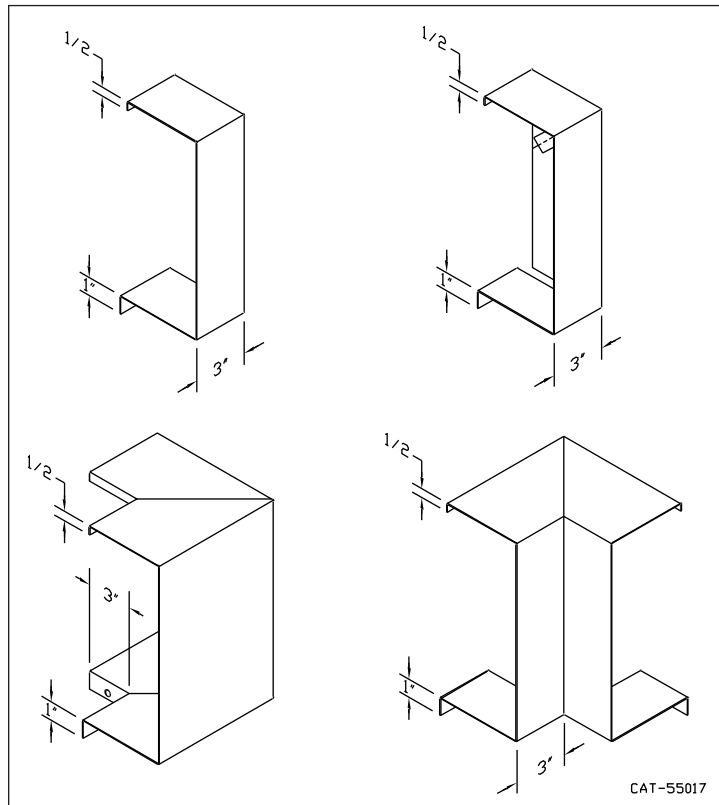
All ratings are based on 3 FPS velocity

I.P.S. SIZE	CATALOG DESIGNATION	FIN SIZE HEIGHT X WIDTH	FIN PER FT.	FIN THICKNESS IN INCHES	ENCL DEPTH AND HEIGHT IN INCHES	TIERS AND CENTERS IN INCHES	MTG. HEIGHT IN INCHES	STEAM 215° FACTOR	HOT WATER (AVG.)												
									200°	190°	180°	170°	160°	150°	140°	130°	120°	110°	100°		
									CORRECTION FACTORS FOR AVERAGE WATER TEMPERATURES												
									1.00	.86	.78	.69	.61	.53	.45	.40	.33	.26	.20	.15	
1"	S43	4-1/4" SQ.	32	.032	6B	1	9-3/8"	1270	1100	1000	880	780	680	580	510	420	330	250	190		
					12B	2 @ 6 CL	15-3/8"	2230	1930	1750	1550	1370	1190	1010	890	740	580	450	330		
					18B	3 @ 6 CL	21-3/8"	2930	2530	2300	2030	1800	1560	1330	1170	970	760	590	440		
1"	S44	4-1/4" SQ.	40	.032	6B	1	9-3/8"	1430	1240	1120	990	880	760	650	570	470	370	290	210		
					12B	2 @ 6 CL	15-3/8"	2350	2030	1840	1630	1440	1250	1070	940	780	610	470	350		
					18B	3 @ 6 CL	21-3/8"	3050	2640	2390	2120	1870	1630	1380	1220	1010	790	610	460		
1"	S45	4-1/4" SQ.	50	.032	6B	1	9-3/8"	1520	1310	1190	1050	930	810	690	610	500	400	300	230		
					12B	2 @ 6 CL	15-3/8"	2410	2080	1890	1670	1480	1290	1090	960	800	630	480	360		
					18B	3 @ 6 CL	21-3/8"	3100	2680	2430	2150	1900	1660	1410	1240	1020	810	620	470		
1-1/4"	S143	4-1/4" SQ.	<b>32</b>	<b>.032</b>	<i>6B</i>	<i>1</i>	<i>9-3/8"</i>	<b>1260</b>	<b>1090</b>	<b>990</b>	<b>870</b>	<b>770</b>	<b>670</b>	<b>570</b>	<b>500</b>	<b>420</b>	<b>330</b>	<b>250</b>	<b>190</b>		
					<i>12B</i>	<i>2 @ 6 CL</i>	<i>15-3/8"</i>	<b>2210</b>	<b>1910</b>	<b>1730</b>	<b>1530</b>	<b>1360</b>	<b>1180</b>	<b>1000</b>	<b>880</b>	<b>730</b>	<b>570</b>	<b>440</b>	<b>330</b>		
					<i>18B</i>	<i>3 @ 6 CL</i>	<i>21-3/8"</i>	<b>2910</b>	<b>2510</b>	<b>2280</b>	<b>2020</b>	<b>1790</b>	<b>1550</b>	<b>1320</b>	<b>1160</b>	<b>960</b>	<b>760</b>	<b>580</b>	<b>440</b>		
1-1/4"	S144	4-1/4" SQ.	<b>40</b>	<b>.032</b>	<i>6B</i>	<i>1</i>	<i>9-3/8"</i>	<b>1420</b>	<b>1230</b>	<b>1110</b>	<b>990</b>	<b>870</b>	<b>760</b>	<b>640</b>	<b>570</b>	<b>470</b>	<b>370</b>	<b>280</b>	<b>210</b>		
					<i>12B</i>	<i>2 @ 6 CL</i>	<i>15-3/8"</i>	<b>2340</b>	<b>2020</b>	<b>1830</b>	<b>1620</b>	<b>1440</b>	<b>1250</b>	<b>1060</b>	<b>940</b>	<b>770</b>	<b>610</b>	<b>470</b>	<b>350</b>		
					<i>18B</i>	<i>3 @ 6 CL</i>	<i>21-3/8"</i>	<b>3040</b>	<b>2630</b>	<b>2380</b>	<b>2110</b>	<b>1870</b>	<b>1620</b>	<b>1380</b>	<b>1220</b>	<b>1000</b>	<b>790</b>	<b>610</b>	<b>460</b>		
1-1/4"	S145	4-1/4" SQ.	50	.032	6B	1	9-3/8"	1490	1290	1170	1030	910	800	680	600	490	390	300	220		
					12B	2 @ 6 CL	15-3/8"	2360	2040	1850	1640	1450	1260	1070	940	780	610	470	350		
					18B	3 @ 6 CL	21-3/8"	3040	2630	2380	2110	1870	1620	1380	1220	1000	790	610	460		
2"	S242	4-1/4" SQ.	<b>25</b>	<b>.032</b>	<i>6B</i>	<i>1</i>	<i>9-3/8"</i>	<b>1090</b>	<b>940</b>	<b>850</b>	<b>760</b>	<b>670</b>	<b>580</b>	<b>490</b>	<b>440</b>	<b>360</b>	<b>280</b>	<b>220</b>	<b>160</b>		
					<i>12B</i>	<i>2 @ 6 CL</i>	<i>15-3/8"</i>	<b>1950</b>	<b>1680</b>	<b>1530</b>	<b>1350</b>	<b>1200</b>	<b>1040</b>	<b>890</b>	<b>780</b>	<b>640</b>	<b>510</b>	<b>390</b>	<b>290</b>		
					<i>18B</i>	<i>3 @ 6 CL</i>	<i>21-3/8"</i>	<b>2590</b>	<b>2240</b>	<b>2030</b>	<b>1800</b>	<b>1590</b>	<b>1380</b>	<b>1180</b>	<b>1040</b>	<b>850</b>	<b>670</b>	<b>520</b>	<b>390</b>		
2"	S243	4-1/4" SQ.	<b>32</b>	<b>.032</b>	<i>6B</i>	<i>1</i>	<i>9-3/8"</i>	<b>1270</b>	<b>1100</b>	<b>1000</b>	<b>880</b>	<b>780</b>	<b>680</b>	<b>580</b>	<b>510</b>	<b>420</b>	<b>330</b>	<b>250</b>	<b>190</b>		
					<i>12B</i>	<i>2 @ 6 CL</i>	<i>15-3/8"</i>	<b>2140</b>	<b>1850</b>	<b>1680</b>	<b>1490</b>	<b>1310</b>	<b>1140</b>	<b>970</b>	<b>860</b>	<b>710</b>	<b>560</b>	<b>430</b>	<b>320</b>		
					<i>18B</i>	<i>3 @ 6 CL</i>	<i>21-3/8"</i>	<b>2790</b>	<b>2410</b>	<b>2190</b>	<b>1940</b>	<b>1710</b>	<b>1490</b>	<b>1270</b>	<b>1120</b>	<b>920</b>	<b>730</b>	<b>560</b>	<b>420</b>		

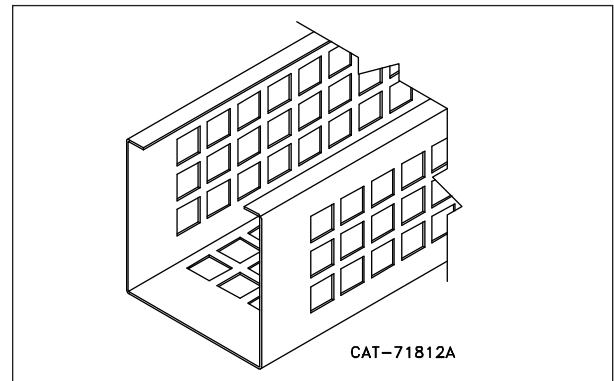
- Notes: 1) Steel fins furnished as .032 thick, painted black.  
 2) NPT threads furnished on steel elements. Please use domestic fittings for proper installation.  
 3) The ends can be provided chamfered for field welded fittings when specified.

► **Bold, italicized units are**  **rated** ◀

## STYLE X ACCESSORIES



## CEILING COVER



## CEILING HANGER

