

Versa-Line

Submittal

Specification

PCV 2 Sided

PIPE COVER:

STYLE: Vertical (No Slip Joints)

- 5" x 5"
- 8" x 8"

LENGTHS: 8'-0" (For shorter lengths, consult factory)

MAT'L: 18 Ga. CRS Std.
 16 Ga. CRS (Opt'l.)
 14 Ga. CRS (Opt'l.)

FINISH: Baked Primer Std.
 Baked Enamel (Opt'l.)

FINISH: 16 Ga Stainless Steel(Opt'l)
 14 Ga. Aluminum Clear Anod (Opt'l)

- 1" x 1" Angle Std. 8'-0" long Prime
- 1" x 1" Angle (Opt'l.) 8'-0" long BE

ACCESSORIES:

2" Joiner Piece (Overlapping)

PCV Pipe Cover

Vertical

2 Sided

3 Sided

PCV 3 Sided

PIPE COVER:

STYLE: Vertical (No Slip Joints)

- 5" x 5" x 5"
- 8" x 8" x 8"

LENGTHS: 8'-0" (For shorter lengths, consult factory)

MAT'L: 18 Ga. CRS Std.
 16 Ga. CRS (Opt'l.)
 14 Ga. CRS (Opt'l.)

FINISH: Baked Primer Std.
 Baked Enamel (Opt'l.)

FINISH: 16 Ga Stainless Steel(Opt'l)
 14 Ga. Aluminum Clear Anod (Opt'l)

- 1" x 1" Angle Std. 8'-0" long Prime
- 1" x 1" Angle (Opt'l.) 8'-0" long BE

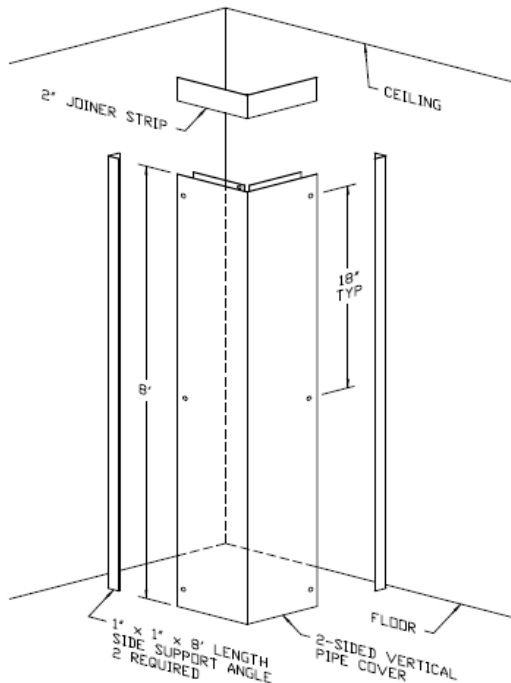
ACCESSORIES:

2" Joiner Piece (Overlapping)

PCV PIPE COVER- VERTICAL

PCV-52

PCV-82



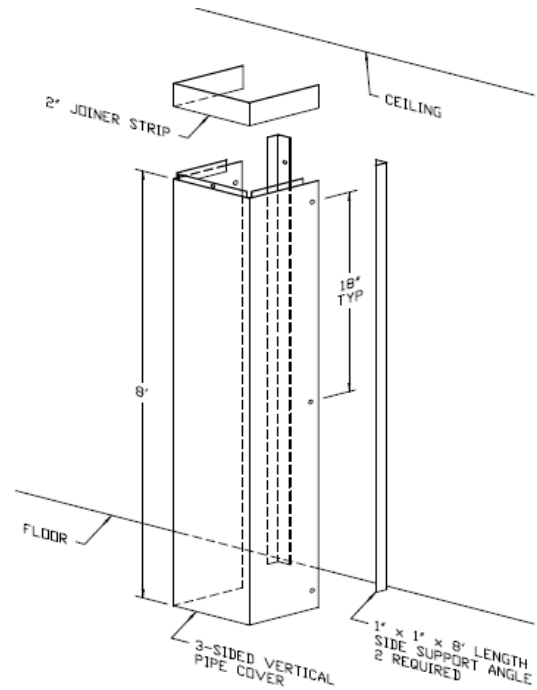
FASTENERS ARE BY OTHERS.

FOR CEILING HEIGHTS GREATER THAN 8', MULTIPLE PIECES WILL BE REQUIRED.

CAT-68234

PCV-53

PCV-83



FASTENERS ARE BY OTHERS.

FOR CEILING HEIGHTS GREATER THAN 8', MULTIPLE PIECES WILL BE REQUIRED.

CAT-68235



260 North Elm St., Westfield, MA 01085
 (413) 564-5535 Fax: (413) 562-8437
www.sterlingheat.com

PROJECT: _____
 LOCATION: _____
 ARCHITECT: _____
 ENGINEER: _____
 CONTRACTOR: _____
 P. O. NUMBER: _____
 DATE: _____