

JVB Slip Jointed Enclosure

Specification

ENCLOSURE:

- STYLE: Front and Top Outlet
 OUTLET: Stamped Louvers
 Pencil Proof
 LENGTHS: 2' thru 8' in 6" Increments
 MAT'L: 16 Ga. CRS (Standard)
 14 Ga. CRS (Opt'l)
 FINISH: Prime Finish (Standard)
 Baked Enamel (Opt'l)
 16 Ga. Stainless Steel (Opt'l)
 14 Ga. Stainless Steel (Opt'l)
 14 Ga. Aluminum (Opt'l)
 12 Ga. Aluminum (Opt'l)

ACCESSORIES:

- JV Overlapping Type
 All accessories return to the wall at the bottom and have pre-punched holes for fastening to the wall.

ELEMENT:

- TYPE: Cu/Al (Mechanically Expanded)
 LENGTHS: 2' thru 8' in 1" Increments for 3/4" Cu.
 One End Flared (Standard)
 See catalog for working pressure

DAMPER:

- Damper Blades Factory Installed
 Knob Damper (Opt'l)
 Tamper Resistant (Opt'l)

BACKPLATE:

- TYPE: Partial B/P
 LENGTHS: 8' Only
 MAT'L: 20 Ga. Prepainted (Standard)
 18 Ga. Galvannealed (Opt'l)
 Full Height B/P (Opt'l)
 2' thru 8' in 6" increments
 20 Ga. Galvannealed (Opt'l)
 18 Ga. Painted (Opt'l)

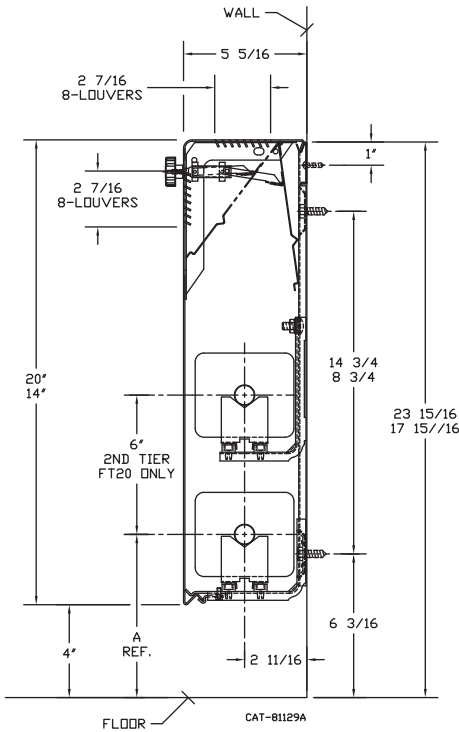
AIRSEAL:

- 1/8" x 3/8" Closed Cell (Opt'l)

BRACKETS:

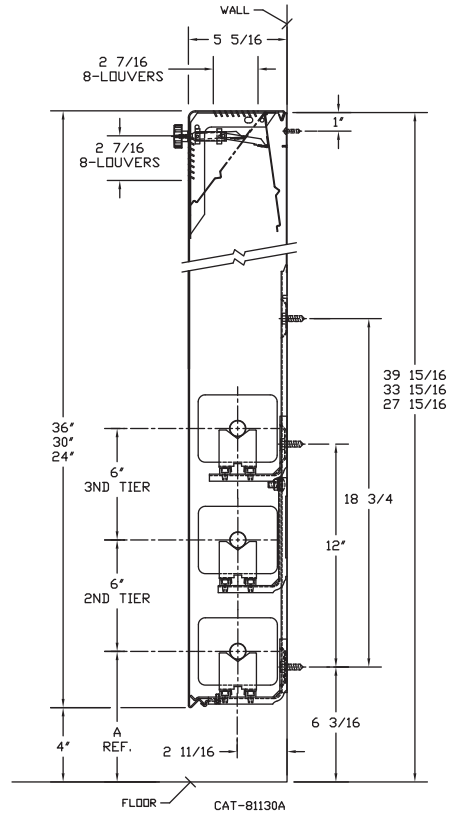
- Water Bracket (with Stand-Off)
 Stand-Off not required with 14", 20" & 24"
 B.B. Hanger, Bracket Mtd
 B.B. Hanger, Wall Mtd
 Wall Mtd B.B. Hanger required for 3rd Tier Element

ELEMENT TUBE SIZE	ELEMENT FIN SIZE	CRADLE	A
3/4" COPPER	4-1/4 x 3-5/8	2	7
3/4" COPPER	4-1/4 x 4-1/4	3A	7-3/8
1" COPPER	4-1/4 x 3-5/8	2	7-3/16
	4-1/4 x 4-1/4		
1-1/4" COPPER	4-1/4 x 3-5/8	2	7-5/16
	4-1/4 x 4-1/4		
1" STEEL	4-1/4 x 4-1/4	2	7-5/16
1-1/4" STEEL	4-1/4 x 4-1/4	2	7-1/2
2" STEEL	4-1/4 x 4-1/4	1	7-1/4



- JVB-FT 14
 JVB-FT 20

- JVB-FT 24
 JVB-FT 30
 JVB-FT 36



260 North Elm St., Westfield, MA 01085
 (413) 564-5535 Fax: (413) 562-8437
 www.sterlingheat.com

PROJECT: _____ DATE: _____
 LOCATION: _____
 ARCHITECT: _____
 ENGINEER: _____
 CONTRACTOR: _____
 PO NUMBER: _____



JVB-FT Style "FT" Front & Top Outlet

Copper/Aluminum Elements

ALL RATINGS ARE BASED ON 3 FPS VELOCITY

TUBE SIZE	CATALOG DESIGNATION	FIN SIZE WIDTH x HEIGHT	FIN PER FT.	FIN THICKNESS	ENCL DEPTH AND HEIGHT IN INCHES	TIERS AND CENTERS IN INCHES	MTG. HEIGHT IN INCHES	STEAM 215°F FACTOR 1.00	HOT WATER RATINGS IN Btu's/Ft/Hr				
									140°F	130°F	120°F	110°F	100°F
									CORRECTION FACTORS FOR AVERAGE WATER TEMPERATURE				
									.40	.33	.26	.20	.15
3/4"	C3/4-433	4-1/4" x 3-5/8"	32	.020"	14B	1	18"	1440	580	480	370	290	220
					20B	1	24"	1520	610	500	400	300	230
					"	2-6 CL	"	2150	860	710	560	430	320
					24B	1	28"	1560	620	510	410	310	230
					"	2-6 CL	"	2230	890	740	580	450	330
					"	3-6 CL	"	2570	1030	850	670	510	390
					30B	1	34"	1640	660	540	430	330	250
					"	2-6 CL	"	2310	920	760	600	460	350
					"	3-6 CL	"	2650	1060	870	690	530	400
					36B	1	40"	1720	690	570	450	340	260
"	2-6 CL	"	2390	960	790	620	480	360					
"	3-6 CL	"	2730	1090	900	710	550	410					
3/4"	C3/4-434	4-1/4" x 3-5/8"	40	.020"	14B	1	18"	1620	650	530	420	320	240
					20B	1	24"	1700	680	560	440	340	260
					"	2-6 CL	"	2410	960	800	630	480	360
					24B	1	28"	1740	700	570	450	350	260
					"	2-6 CL	"	2490	1000	820	650	500	370
					"	3-6 CL	"	2870	1150	950	750	570	430
					30B	1	34"	1820	730	600	470	360	270
					"	2-6 CL	"	2570	1030	850	670	510	390
					"	3-6 CL	"	2950	1180	970	770	590	440
					36B	1	40"	1900	760	630	490	380	290
"	2-6 CL	"	2650	1060	870	690	530	400					
"	3-6 CL	"	3030	1210	1000	790	610	450					
3/4"	C3/4-435	4-1/4" x 3-5/8"	50	.020"	14B	1	18"	1740	700	570	450	350	260
					20B	1	24"	1890	760	620	490	380	280
					"	2-6 CL	"	2650	1060	870	690	530	400
					24B	1	28"	1960	780	650	510	390	290
					"	2-6 CL	"	2860	1140	940	740	570	430
					"	3-6 CL	"	3310	1320	1090	860	660	500
					30B	1	34"	2110	840	700	550	420	320
					"	2-6 CL	"	3010	1200	990	780	600	450
					"	3-6 CL	"	3460	1380	1140	900	690	520
					36B	1	40"	2260	900	750	590	450	340
"	2-6 CL	"	3160	1260	1040	820	630	470					
"	3-6 CL	"	3610	1440	1190	940	720	540					
3/4"	C3/4-43	4-1/4" SQ.	32	.020"	14B	1	18"	1590	640	520	410	320	240
					20B	1	24"	1630	650	540	420	330	240
					"	2-6 CL	"	2430	970	800	630	490	360
					24B	1	28"	1660	660	550	430	330	250
					"	2-6 CL	"	2480	990	820	640	500	370
					"	3-6 CL	"	2890	1160	950	750	580	430
					30B	1	34"	1720	690	570	450	340	260
					"	2-6 CL	"	2540	1020	840	660	510	380
					"	3-6 CL	"	2950	1180	970	770	590	440
					36B	1	40"	1780	710	590	460	360	270
"	2-6 CL	"	2600	1040	860	680	520	390					
"	3-6 CL	"	3010	1200	990	780	600	450					
3/4"	C3/4-44	4-1/4" SQ.	40	.020"	14B	1	18"	1730	690	570	450	350	260
					20B	1	24"	1910	760	630	500	380	290
					"	2-6 CL	"	2530	1010	830	660	510	380
					24B	1	28"	1980	790	650	510	400	300
					"	2-6 CL	"	2670	1070	880	690	530	400
					"	3-6 CL	"	3020	1210	1000	790	600	450
					30B	1	34"	2050	820	680	530	410	310
					"	2-6 CL	"	2740	1100	900	710	550	410
					"	3-6 CL	"	3090	1240	1020	800	620	460
					36B	1	40"	2120	850	700	550	420	320
"	2-6 CL	"	2810	1120	930	730	560	420					
"	3-6 CL	"	3160	1260	1040	820	630	470					
3/4"	C3/4-45	4-1/4" SQ.	50	.020"	14B	1	18"	1870	750	620	490	370	280
					20B	1	24"	2090	840	690	540	420	310
					"	2-6 CL	"	2520	1010	830	660	500	380
					24B	1	28"	2190	880	720	570	440	330
					"	2-6 CL	"	2700	1080	890	700	540	410
					"	3-6 CL	"	2960	1180	980	770	590	440
					30B	1	34"	2340	940	770	610	470	350
					"	2-6 CL	"	2850	1140	940	740	570	430
					"	3-6 CL	"	3110	1240	1030	810	620	470
					36B	1	40"	2490	1000	820	650	500	370
"	2-6 CL	"	3000	1200	990	780	600	450					
"	3-6 CL	"	3260	1300	1080	850	650	490					