

JVB Slip Jointed Enclosure

Specification

ENCLOSURE:

- STYLE: Front Outlet
 OUTLET: Stamped Louvers
 Pencil Proof
 LENGTHS: 2' thru 8' in 6" Increments
 MAT'L: 16 Ga. CRS (Standard)
 14 Ga. CRS (Opt'l)
 FINISH: Prime Finish (Standard)
 Baked Enamel (Opt'l)
 16 Ga. Stainless Steel (Opt'l)
 14 Ga. Stainless Steel (Opt'l)
 14 Ga. Aluminum (Opt'l)
 12 Ga. Aluminum (Opt'l)

ACCESSORIES:

- JV Overlapping Type
 All accessories return to the wall at the bottom and have pre-punched holes for fastening to the wall.

ELEMENT:

- TYPE: Cu/Al (Mechanically Expanded)
 LENGTHS: 2' thru 8' in 1" Increments for 3/4" Cu.
 One End Flared (Standard)
 See catalog for working pressure

DAMPER:

- Damper Blades Factory Installed
 Knob Damper (Opt'l)
 Tamper Resistant (Opt'l)

BACKPLATE:

- TYPE: Partial B/P
 LENGTHS: 8' Only
 MAT'L: 20 Ga. Prepainted (Standard)
 18 Ga. Galvannealed (Opt'l)
 Full Height B/P (Opt'l)
 2' thru 8' in 6" increments
 20 Ga. Galvannealed (Opt'l)
 18 Ga. Painted (Opt'l)

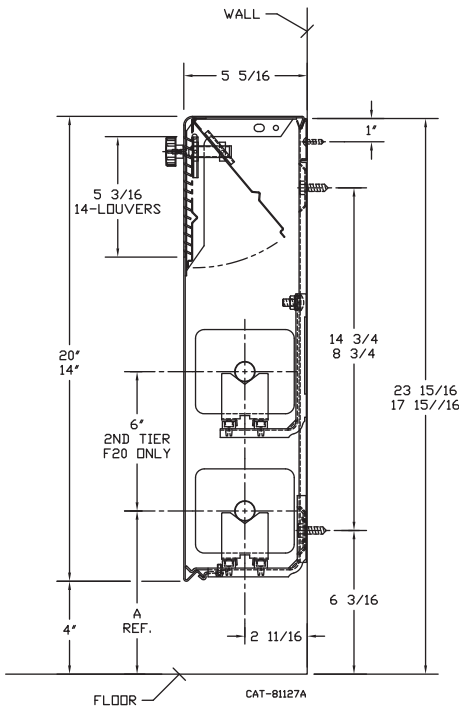
AIRSEAL:

- 1/8" x 3/8" Closed Cell (Opt'l)

BRACKETS:

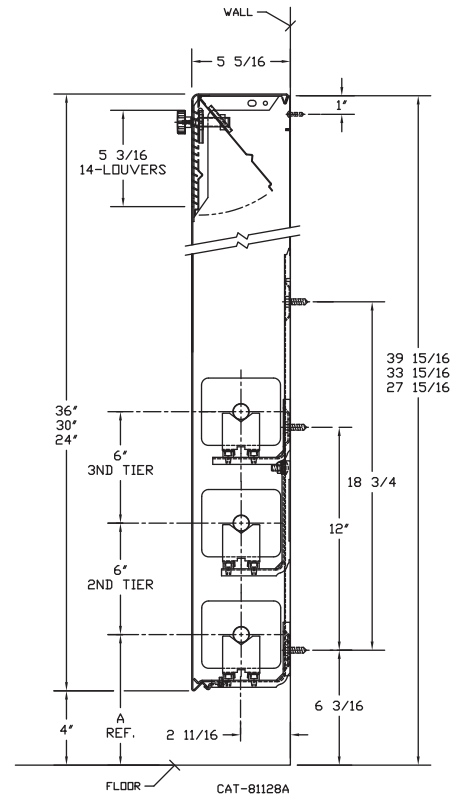
- Water Bracket (with Stand-Off)
 Stand-Off not required with 14", 20" & 24"
 B.B. Hanger, Bracket Mtd
 B.B. Hanger, Wall Mtd
 Wall Mtd B.B. Hanger required for 3rd Tier Element

ELEMENT TUBE SIZE	ELEMENT FIN SIZE	CRADLE	A
3/4" COPPER	4-1/4 x 3-5/8	2	7
3/4" COPPER	4-1/4 x 4-1/4	3A	7-3/8
1" COPPER	4-1/4 x 3-5/8	2	7-3/16
	4-1/4 x 4-1/4		
1-1/4" COPPER	4-1/4 x 3-5/8	2	7-5/16
	4-1/4 x 4-1/4		
1" STEEL	4-1/4 x 4-1/4	2	7-5/16
1-1/4" STEEL	4-1/4 x 4-1/4	2	7-1/2
2" STEEL	4-1/4 x 4-1/4	1	7-1/4



- JVB-F 14
 JVB-F 20

- JVB-F 24
 JVB-F 30
 JVB-F 36



260 North Elm St., Westfield, MA 01085
 (413) 564-5535 Fax: (413) 562-8437
 www.sterlingheat.com

PROJECT: _____ DATE: _____
 LOCATION: _____
 ARCHITECT: _____
 ENGINEER: _____
 CONTRACTOR: _____
 PO NUMBER: _____



JVB-F Style "F" Front Outlet

Copper/Aluminum Elements

ALL RATINGS ARE BASED ON 3 FPS VELOCITY

TUBE SIZE	CATALOG DESIGNATION	FIN SIZE WIDTH x HEIGHT	FIN PER FT.	FIN THICKNESS	ENCL DEPTH AND HEIGHT IN INCHES	TIERS AND CENTERS IN INCHES	MTG. HEIGHT IN INCHES	STEAM 215°F FACTOR 1.00	HOT WATER RATINGS IN Btu's/Ft/Hr				
									140°F	130°F	120°F	110°F	100°F
									CORRECTION FACTORS FOR AVERAGE WATER TEMPERATURE				
									.40	.33	.26	.20	.15
3/4"	C3/4-433	4-1/4" x 3-5/8"	32	.020"	14B	1	18"	1460	580	480	380	290	220
					20B	1	24"	1570	630	520	410	310	240
					"	2-6 CL	"	2390	960	790	620	480	360
					24B	1	28"	1620	650	530	420	320	240
					"	2-6 CL	"	2410	960	800	630	480	360
					"	3-6 CL	"	2810	1120	930	730	560	420
					30B	1	34"	1710	680	560	440	340	260
					"	2-6 CL	"	2470	990	820	640	490	370
					"	3-6 CL	"	2870	1150	950	750	570	430
					"	36B	1	40"	1800	720	590	470	360
"	"	2-6 CL	"	2530	1010	830	660	510	380				
"	"	3-6 CL	"	2920	1170	960	760	580	440				
3/4"	C3/4-434	4-1/4" x 3-5/8"	40	.020"	14B	1	18"	1680	670	550	440	340	250
					20B	1	24"	1790	720	590	470	360	270
					"	2-6 CL	"	2560	1020	840	670	510	380
					24B	1	28"	1870	750	620	490	370	280
					"	2-6 CL	"	2670	1070	880	690	530	400
					"	3-6 CL	"	3060	1220	1010	800	610	460
					30B	1	34"	2140	860	710	560	430	320
					"	2-6 CL	"	2920	1170	960	760	580	440
					"	3-6 CL	"	3280	1310	1080	850	660	490
					"	36B	1	40"	2410	960	800	630	480
"	"	2-6 CL	"	3170	1270	1050	820	630	480				
"	"	3-6 CL	"	3530	1410	1160	920	710	530				
3/4"	C3/4-435	4-1/4" x 3-5/8"	50	.020"	14B	1	18"	1820	730	600	470	360	270
					20B	1	24"	2080	830	690	540	420	310
					"	2-6 CL	"	2780	1110	920	720	560	420
					24B	1	28"	2230	890	740	580	450	330
					"	2-6 CL	"	2940	1180	970	760	590	440
					"	3-6 CL	"	3390	1360	1120	880	680	510
					30B	1	34"	2470	990	820	640	490	370
					"	2-6 CL	"	3150	1260	1040	820	630	470
					"	3-6 CL	"	3580	1430	1180	930	720	540
					"	36B	1	40"	2690	1080	890	700	540
"	"	2-6 CL	"	3320	1330	1100	860	660	500				
"	"	3-6 CL	"	3740	1500	1230	970	750	560				
3/4"	C3/4-43	4-1/4" SQ.	32	.020"	14B	1	18"	1630	650	540	420	330	240
					20B	1	24"	1680	670	550	440	340	250
					"	2-6 CL	"	2590	1040	850	670	520	390
					24B	1	28"	1720	690	570	450	340	260
					"	2-6 CL	"	2650	1060	870	690	530	400
					"	3-6 CL	"	3110	1240	1030	810	620	470
					30B	1	34"	1800	720	590	470	360	270
					"	2-6 CL	"	2730	1090	900	710	550	410
					"	3-6 CL	"	3200	1280	1060	830	640	480
					"	36B	1	40"	1880	750	620	490	380
"	"	2-6 CL	"	2810	1120	930	730	560	420				
"	"	3-6 CL	"	3290	1320	1090	860	660	490				
3/4"	C3/4-44	4-1/4" SQ.	40	.020"	14B	1	18"	1850	740	610	480	370	280
					20B	1	24"	2000	800	660	520	400	300
					"	2-6 CL	"	2690	1080	890	700	540	400
					24B	1	28"	2090	840	690	540	420	310
					"	2-6 CL	"	2970	1190	980	770	590	450
					"	3-6 CL	"	3440	1380	1140	890	690	520
					30B	1	34"	2270	910	750	590	450	340
					"	2-6 CL	"	3120	1250	1030	810	620	470
					"	3-6 CL	"	3560	1420	1170	930	710	530
					"	36B	1	40"	2450	980	810	640	490
"	"	2-6 CL	"	3230	1290	1070	840	650	480				
"	"	3-6 CL	"	3640	1460	1200	950	730	550				
3/4"	C3/4-45	4-1/4" SQ.	50	.020"	14B	1	18"	1950	780	640	510	390	290
					20B	1	24"	2230	890	740	580	450	330
					"	2-6 CL	"	3200	1280	1060	830	640	480
					24B	1	28"	2400	960	790	620	480	360
					"	2-6 CL	"	3150	1260	1040	820	630	470
					"	3-6 CL	"	3630	1450	1200	940	730	540
					30B	1	34"	2670	1070	880	690	530	400
					"	2-6 CL	"	3480	1390	1150	900	700	520
					"	3-6 CL	"	3950	1580	1300	1030	790	590
					"	36B	1	40"	2930	1170	970	760	590
"	"	2-6 CL	"	3710	1480	1220	960	740	560				
"	"	3-6 CL	"	4150	1660	1370	1080	830	620				