

# VERSA-LINE

## Submittal

JVK-RD8 11 14  
Versa-Line Slim-Line  
Copper/Aluminum and  
Steel Element Ratings

JVK Slip Jointed Enclosure

# Specification

**ENCLOSURE:**

- STYLE: Flat Top Rounded Outlet  
 OUTLET: Stamped Louvers  
 Pencil Proof  
 LENGTHS: 2' thru 8' in 6" Increments  
 MAT'L:  16 Ga. CRS STD.  
 FINISH:  Prime Finish Std.  
 Baked Enamel (Opt'l).  
 14 Ga. Aluminum (Opt'l)

**ACCESSORIES:**

- JV Overlapping Type  
 All accessories return to the wall at the bottom and have pre-punched holes for fastening to the wall.

**ELEMENT:**

- TYPE:  Cu/Al (Mechanically Expanded)  
 LENGTHS: 2'0" thru 12'6" in 1" Increments for 1" & 1-1/4" Cu.  
 2' thru 8' in 1" Increments for 3/4" Cu.  
 One End Flared, Std.  
 TYPE:  IPS Steel (Mechanically Expanded)  
 LENGTHS: 2'0" thru 12'6" in 1" Increments  
 NPT Thread both Ends Std.  
 Beveled Ends for Field Weld  
 See Catalog for Working Pressures

**BACKPLATE:**

- TYPE:  Partial B/P  
 LENGTHS: 8' Only  
 MAT'L:  20 Ga. Prepainted Std.  
 18 Ga. Galvannealed (Opt'l)  
 TYPE:  Full Ht. B/P (Opt'l)  
 LENGTHS: 2' thru 8' in 6" increments  
 MAT'L:  20 Ga. Galvannealed (Opt'l)  
 18 Ga. Painted (Opt'l)

**AIRSEAL:**

- 1/8" x 3/8" Closed Cell (Opt'l)

**BRACKETS:**

- Water Brkt w/B.B.

**DAMPER:**

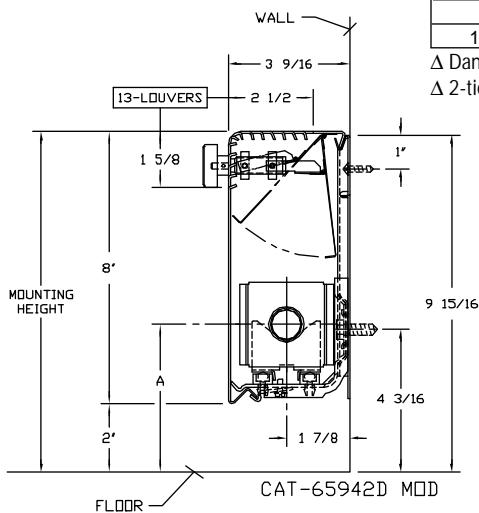
- Damper Blade Factory Installed  
 Knob Damper (Opt'l)  
 Tamper Resistant (Opt'l)

ELEMENT TUBE SIZE	FIN HEIGHT	CRADLE NO.	A
Δ3/4" COPPER	2-1/2	1	4-5/16
Δ1" COPPER	2-1/2	1	4-1/2
3/4" COPPER	3-3/4	2	5
1" COPPER	3-3/4	2	5-3/16
1-1/4" COPPER	3-3/4	2	5-5/16
1" COPPER	5	3A	5-1/2
1-1/4" COPPER	5	3A	5-11/16
1" STEEL	3-3/4	2	5-5/16
1-1/4" STEEL	3-3/4	2	5-1/2
1" STEEL	5	3A	5-11/16
1-1/4" STEEL	5	3A	5-15/16

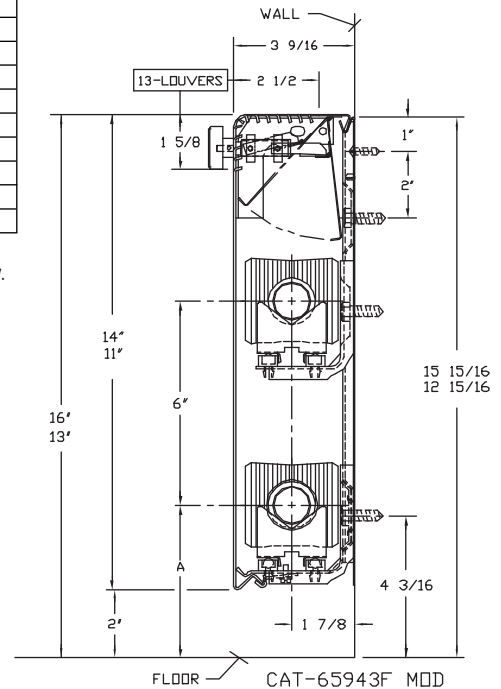
Δ Damper available with these elements only.  
 Δ 2-tier with damper available with these elements only.

\*Not recommended for steam applications, consult factory.

JVK-RD8\*



JVK-RD11 14



COMMERCIAL HYDRONIC PRODUCTS

260 North Elm St., Westfield, MA 01085  
 (413) 564-5535 Fax: (413) 562-8437

www.sterlingheat.com

PROJECT: \_\_\_\_\_ DATE: \_\_\_\_\_

LOCATION: \_\_\_\_\_

ARCHITECT: \_\_\_\_\_

ENGINEER: \_\_\_\_\_

CONTRACTOR: \_\_\_\_\_

PO NUMBER: \_\_\_\_\_



07/2014

# STYLE "JVK-RD8 11 14" VERSA-LINE SLIM-LINE

## COPPER/ALUMINUM ELEMENT RATINGS

TUBE SIZE	CATALOG DESIGNATION	FIN SIZE	FIN PER FT.	FIN THICKNESS	ENCL DEPTH AND HEIGHT IN INCHES	TIERS AND CENTERS IN INCHES	MTG. HEIGHT IN INCHES	STEAM 215° FACTOR 1.00	HOT WATER (AVG.)					
									200°	190°	180°	170°	160°	150°
									FACTOR					
									.86	.78	.69	.61	.53	.45
3/4"	R01	2-1/2" x 2-1/4"	50	.011	8 K*	1	10	830	710	650	570	510	440	370
3/4"	R02	2-1/2" x 2-3/4"	60	.010	"	1	10	990	850	770	680	600	520	450
3/4"	R04	3-3/4" x 2-3/4"	50	.014	"	1	10	1190	1020	930	820	730	630	540
1"	R03	2-1/2" x 2-3/4"	55	.011	"	1	10	970	830	760	670	590	510	440
1"	R05	3-3/4" x 2-3/4"	50	.011	"	1	10	1180	1010	920	810	720	630	530
1"	R07	5" x 2-3/4"	50	.020	"	1	16	1330	1140	1040	920	810	700	600
1-1/4"	R08	3-3/4" x 2-3/4"	50	.020	"	1	10	1120	960	870	770	680	590	500
1-1/4"	R10	5" x 2-3/4"	50	.020	8 K*	1	10	1300	1120	1010	900	790	690	590
3/4"	R01	2-1/2" x 2-1/4"	50	.011	11 K	1	13	890	770	690	610	540	470	400
3/4"	R02	2-1/2" x 2-3/4"	60	.010	"	1	13	1060	910	830	730	650	560	480
3/4"	R04	3-3/4" x 2-3/4"	50	.014	"	1	13	1250	1080	980	860	760	660	560
1"	R03	2-1/2" x 2-3/4"	55	.011	"	1	13	1030	890	800	710	630	550	460
1"	R05	3-3/4" x 2-3/4"	50	.011	"	1	13	1240	1070	970	860	760	660	560
1"	R07	5" x 2-3/4"	50	.020	"	1	13	1400	1200	1090	970	850	740	630
1-1/4"	R08	3-3/4" x 2-3/4"	50	.020	"	1	13	1190	1020	930	820	730	630	540
1-1/4"	R10	5" x 2-3/4"	50	.020	11 K	1	13	1360	1170	1060	940	830	720	610
3/4"	R01	2-1/2" x 2-1/4"	50	.011	14 K	1	16	960	830	750	660	590	510	430
3/4"	R02	2-1/2" x 2-3/4"	60	.010	"	1	16	1230	1060	960	850	750	650	550
3/4"	R04	3-3/4" x 2-3/4"	50	.014	"	1	16	1320	1140	1030	910	810	700	590
1"	R03	2-1/2" x 2-3/4"	55	.011	"	1	16	1100	950	860	760	670	580	500
1"	R05	3-3/4" x 2-3/4"	50	.011	"	1	16	1310	1130	1020	900	800	690	590
1"	R07	5" x 2-3/4"	50	.020	"	1	16	1450	1250	1130	1000	880	770	650
1-1/4"	R08	3-3/4" x 2-3/4"	50	.020	"	1	16	1310	1130	1020	900	800	690	590
1-1/4"	R10	5" x 2-3/4"	50	.020	14 K	1	16	1420	1220	1110	980	870	750	640
3/4"	R01	2-1/2" x 2-1/4"	50	.011	14 K	2	16	1360	1170	1060	940	830	720	610
3/4"	R02	2-1/2" x 2-3/4"	60	.010	"	2	16	1730	1490	1350	1190	1060	920	780
3/4"	R04	3-3/4" x 2-3/4"	50	.014	"	2	16	1750	1510	1370	1210	1070	930	790
1"	R03	2-1/2" x 2-3/4"	55	.011	"	2	16	1580	1360	1230	1090	960	840	710
1"	R05	3-3/4" x 2-3/4"	50	.011	"	2	16	1740	1500	1360	1200	1060	920	780
1"	R07	5" x 2-3/4"	50	.020	"	2	16	1820	1570	1420	1260	1110	960	820
1-1/4"	R08	3-3/4" x 2-3/4"	50	.020	"	2	16	1760	1510	1370	1210	1070	930	790
1-1/4"	R10	5" x 2-3/4"	50	.020	14 K	2	16	1770	1520	1380	1220	1080	940	800

\*Not recommended for steam applications, consult factory

Note: Copper tube furnished flared one end standard.

## STEEL ELEMENT RATINGS

I.P.S. SIZE	CATALOG DESIGNATION	FIN SIZE	FIN PER FT.	FIN THICKNESS	ENCL DEPTH AND HEIGHT IN INCHES	TIERS AND CENTERS IN INCHES	MTG. HEIGHT IN INCHES	STEAM 215° FACTOR 1.00	HOT WATER (AVG.)					
									200°	190°	180°	170°	160°	150°
									FACTOR					
									.86	.78	.69	.61	.53	.45
1"	R15	5" x 2-3/4"	50	.024	8 K	1	13	1290	1110	1010	890	790	680	580
1-1/4"	R16	5" x 2-3/4"	50	.024	"	1	13	1310	1130	1020	900	800	690	590
1"	R15	5" x 2-3/4"	50	.024	11 K	1	13	1290	1110	1010	890	790	680	580
1-1/4"	R16	5" x 2-3/4"	50	.024	"	1	13	1310	1130	1020	900	800	690	590
1"	R15	5" x 2-3/4"	50	.024	14 K	1	16	1290	1110	1010	890	790	680	580
1-1/4"	R16	5" x 2-3/4"	50	.024	"	1	16	1310	1130	1020	900	800	690	590
1"	R15	5" x 2-3/4"	50	.024	14 K	2	16	1290	1110	1010	890	790	680	580
1-1/4"	R16	5" x 2-3/4"	50	.024	"	2	16	1310	1130	1020	900	800	690	590

Notes: 1) Steel fin furnished as .024 unless otherwise specified, consult factory. Fins are finished with black enamel.  
2) NPT threads furnished on steel elements. Please use domestic fittings for proper installation.