

VERSA-LINE

Submittal

JVB-SS19 25 & 29
Versa-Line
Copper/Aluminum and
Steel Element Ratings

JVB Slip Jointed Enclosure

Specification

ENCLOSURE:

STYLE: Double Slope, Slope Outlet
OUTLET: Stamped Louvers
Pencil Proof

LENGTHS: 2' thru 8' in 6" Increments
MAT'L: 18 Ga. CRS STD.

16 Ga. CRS (Opt'l)
 14 Ga. CRS (Opt'l)

FINISH: Prime Finish Std.
 Baked Enamel (Opt'l).
 16 Ga. Stainless Steel (Opt'l)
 14 Ga. Aluminum (Opt'l)

ACCESSORIES:

JV Overlapping Type
All accessories return to the wall at the bottom and have pre-punched holes for fastening to the wall.

ELEMENT:

TYPE: Cu/Al (Mechanically Expanded)
LENGTHS: 2'0" thru 12'6" in 1" Increments for 1" & 1-1/4" Cu.
2' thru 8' in 1" Increments for 3/4" Cu.

One End Flared, Std.

TYPE: IPS Steel (Mechanically Expanded)
LENGTHS: 2'0" thru 12'6" in 1" Increments
 NPT Thread both Ends Std.
 Beveled Ends for Field Weld
See Catalog for Working Pressures

BACKPLATE:

TYPE: Partial B/P
LENGTHS: 8' Only
MAT'L: 20 Ga. Prepainted Std.
 18 Ga. Galvannealed (Opt'l)
TYPE: Full Ht. B/P (Opt'l)
LENGTHS: 2' thru 8' in 6" increments
MAT'L: 20 Ga. Galvannealed (Opt'l)
 18 Ga. Painted (Opt'l)

AIRSEAL:

1/8" x 3/8" Closed Cell (Opt'l)

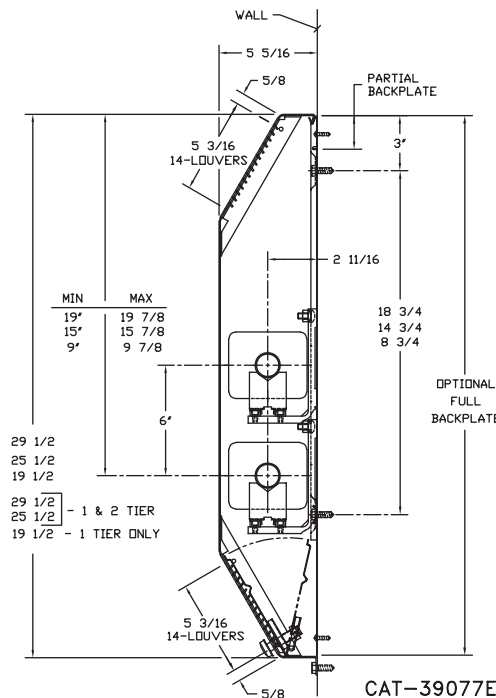
BRACKETS:

Vertical Brkt w/Brkt Mtd B.B. Hngr
 Brkt Mtd B.B. Hngr for 2nd Tier

DAMPER:

Damper Blades Factory Installed
 Knob Damper (Opt'l)
 Tamper Resistant (Opt'l)

JVB-SS19 25 29



260 North Elm St., Westfield, MA 01085
(413) 564-5535 Fax: (413) 562-8437
www.sterlingheat.com

PROJECT: _____ DATE: _____

LOCATION: _____

ARCHITECT: _____

ENGINEER: _____

CONTRACTOR: _____

PO NUMBER: _____

STYLE "JVB-SS19 25 29" VERSA-LINE

COPPER/ALUMINUM ELEMENT RATINGS

TUBE SIZE	CATALOG DESIGNATION	FIN SIZE	FIN PER FT.	FIN THICKNESS	ENCL DEPTH AND HEIGHT IN INCHES	TIERS AND CENTERS IN INCHES	MTG. HEIGHT IN INCHES	STEAM FACTOR 215°	HOT WATER (AVG.)					
									200°	190°	180°	170°	160°	150°
									FACTOR					
									1.00	.86	.78	.69	.61	.53
3/4"	C3/4-434	4-1/4" x 3-5/8"	40	.020"	19-1/2B	1	—	1470	1265	1145	1015	895	780	660
					25-1/2B	1	—	1570	1350	1225	1085	960	830	705
					"	2-6 CL	—	2230	1215	1740	1540	1360	1180	1005
					29-1/2B	1	—	1650	1420	1285	1140	1010	875	740
3/4"	C3/4-435	4-1/4" x 3-5/8"	50	.020"	"	2-6 CL	—	2330	2000	1815	1610	1420	1235	1050
					19-1/2B	1	—	1590	1365	1240	1095	970	840	715
					25-1/2B	1	—	1805	1550	1405	1245	1100	955	810
					"	2-6 CL	—	2435	2095	1900	1680	1485	1290	1095
1"	C433	4-1/4" x 3-5/8"	32	.020"	29-1/2B	1	—	1950	1675	1520	1345	1190	1035	880
					"	2-6 CL	—	2685	2310	2095	1850	1640	1425	1210
					19-1/2B	1	—	1330	1145	1035	920	810	705	600
					25-1/2B	1	—	1400	1205	1090	965	855	740	630
1"	C434	4-1/4" x 3-5/8"	40	.020"	"	2-6 CL	—	2160	1857	1685	1490	1320	1145	970
					29-1/2B	1	—	1460	1255	1140	1010	890	775	660
					"	2-6 CL	—	2235	1920	1745	1540	1365	1185	1005
					19-1/2B	1	—	1535	1320	1195	1060	935	815	690
1"	C435	4-1/4" x 3-5/8"	50	.020"	25-1/2B	1	—	1640	1410	1280	1130	1000	870	740
					"	2-6 CL	—	2300	1980	1795	1585	1405	1220	1035
					29-1/2B	1	—	1720	1480	1340	1185	1050	910	775
					"	2-6 CL	—	2390	2055	1865	1650	1460	1265	1075
1"	C435	4-1/4" x 3-5/8"	50	.020"	19-1/2B	1	—	1665	1430	1300	1150	1015	880	750
					25-1/2B	1	—	1880	1615	1465	1295	1145	995	845
					"	2-6 CL	—	2280	1960	1780	1575	1390	1210	1025
					29-1/2B	1	—	2040	1755	1590	1410	1245	1080	920
1-1/4"	C1433	4-1/4" x 3-5/8"	32	.020"	"	2-6 CL	—	2510	2160	1955	1730	1530	1330	1130
					19-1/2B	1	—	1250	1075	975	860	760	660	565
					25-1/2B	1	—	1320	1135	1030	910	805	700	595
					"	2-6 CL	—	2040	1755	1590	1410	1245	1080	920
1-1/4"	C1434	4-1/4" x 3-5/8"	40	.020"	29-1/2B	1	—	1375	1180	1070	950	840	730	620
					"	2-6 CL	—	2115	1820	1650	1450	1290	1120	950
					19-1/2B	1	—	1500	1290	1170	1035	915	795	675
					25-1/2B	1	—	1625	1390	1265	1120	990	860	730
1-1/4"	C1435	4-1/4" x 3-5/8"	50	.020"	"	2-6 CL	—	2255	1940	1760	1555	1375	1195	1015
					29-1/2B	1	—	1685	1450	1315	1160	1030	895	760
					"	2-6 CL	—	2340	2010	1825	1615	1425	1240	1055
					19-1/2B	1	—	1610	1385	1255	1110	980	855	725
1-1/4"	C1435	4-1/4" x 3-5/8"	50	.020"	25-1/2B	1	—	1840	1580	1435	1270	1120	975	830
					"	2-6 CL	—	2165	1860	1690	1495	1320	1150	975
					29-1/2B	1	—	1960	1685	1530	1350	1195	1040	880
					"	2-6 CL	—	2425	2085	1890	1675	1480	1285	1090
1"	C43	4-1/4" SQ.	32	.020"	19-1/2B	1	—	1425	1225	1110	985	870	755	640
					25-1/2B	1	—	1500	1290	1170	1035	915	795	675
					"	2-6 CL	—	2235	1920	1745	1540	1365	1185	1005
					29-1/2B	1	—	1565	1245	1220	1080	955	830	705
1"	C43	4-1/4" SQ.	32	.020"	"	2-6 CL	—	2445	2100	1910	1685	1490	1295	1100

STYLE "JVB-SS19 25 29" VERSA-LINE

COPPER/ALUMINUM ELEMENT RATINGS

TUBE SIZE	CATALOG DESIGNATION	FIN SIZE	FIN PER FT.	FIN THICKNESS	ENCL DEPTH AND HEIGHT IN INCHES	TIERS AND CENTERS IN INCHES	MTG. HEIGHT IN INCHES	STEAM 215° FACTOR	HOT WATER (AVG.)					
									200°	190°	180°	170°	160°	150°
									FACTOR					
									1.00	.86	.78	.69	.61	.53
1"	C44	4-1/4" SQ.	40	.020"	19-1/2B	1	—	1625	1395	1270	1120	990	860	730
					25-1/2B	1	—	1760	1515	1370	1215	1075	930	790
					"	2-6 CL	—	2325	2000	1815	1605	1420	1230	1045
					29-1/2B	1	—	1850	1590	1445	1275	1130	980	830
					"	2-6 CL	—	2520	2165	1965	1740	1535	1335	1135
1"	C45	4-1/4" SQ.	50	.020"	19-1/2B	1	—	1780	1530	1390	1230	1085	945	800
					25-1/2B	1	—	2020	1735	1575	1400	1230	1070	910
					"	2-6 CL	—	2315	1990	1805	1595	1410	1225	1040
					29-1/2B	1	—	2165	1860	1690	1495	1320	1150	975
					"	2-6 CL	—	2590	2225	2020	1790	1580	1370	1165
1-1/4"	C143	4-1/4" SQ.	32	.020"	19-1/2B	1	—	1400	1205	1090	965	855	740	630
					25-1/2B	1	—	1475	1270	1150	1015	900	780	665
					"	2-6 CL	—	2195	1885	1710	1515	1340	1165	990
					29-1/2B	1	—	1530	1315	1195	1055	935	810	690
					"	2-6 CL	—	2400	2065	1870	1655	1465	1270	1080
1-1/4"	C144	4-1/4" SQ.	40	.020"	19-1/2B	1	—	1600	1375	1250	1105	975	850	720
					25-1/2B	1	—	1725	1485	1345	1190	1050	915	775
					"	2-6 CL	—	2280	1960	1780	1575	1390	1210	1025
					29-1/2B	1	—	1815	1560	1415	1250	1110	960	815
					"	2-6 CL	—	2480	2130	1935	1710	1510	1315	1115
1-1/4"	C145	4-1/4" SQ.	50	.020"	19-1/2B	1	—	1745	1500	1360	1205	1065	925	785
					25-1/2B	1	—	1986	1710	1550	1370	1210	1050	895
					"	2-6 CL	—	2270	1950	1770	1565	1385	1205	1020
					29-1/2B	1	—	2135	1835	1665	1475	1300	1130	960
					"	2-6 CL	—	2545	2190	1985	1755	1550	1350	1145

Note: Copper tube furnished flared one end standard.

STYLE "JVB-SS19 25 29" VERSA-LINE

STEEL ELEMENT RATINGS

I.P.S. SIZE	CATALOG DESIGNATION	FIN SIZE	FIN PER FT.	FIN THICKNESS	ENCL DEPTH AND HEIGHT IN INCHES	TIERS AND CENTERS IN INCHES	MTG. HEIGHT IN INCHES	STEAM 215° FACTOR	HOT WATER (AVG.)					
									200°	190°	180°	170°	160°	150°
									FACTOR					
									1.00	.86	.78	.69	.61	.53
1-1/4"	†S143	4-1/4" SQ.	32	.032"	19-1/2B	1	–	1210	1040	940	830	740	640	540
					25-1/2B	1	–	1280	1100	1000	880	780	680	580
					"	2-6 CL	–	1920	1650	1500	1320	1170	1020	860
					29-1/2B	1	–	1350	1160	1050	930	820	720	610
					"	2-6 CL	–	2030	1750	1580	1400	1240	1080	910
1-1/4"	†S144	4-1/4" SQ.	40	.032"	19-1/2B	1	–	1360	1170	1060	940	830	720	610
					25-1/2B	1	–	1470	1260	1150	1010	900	780	660
					"	2-6 CL	–	2090	1800	1630	1440	1270	1110	940
					29-1/2B	1	–	1560	1340	1220	1080	950	830	700
					"	2-6 CL	–	2240	1930	1750	1550	1370	1190	1010
2"	†S242	4-1/4" SQ.	25	.032"	19-1/2B	1	–	1050	900	820	720	640	560	470
					25-1/2B	1	–	1110	950	870	770	680	590	500
					"	2-6 CL	–	1670	1440	1300	1150	1020	890	750
					29-1/2B	1	–	1170	1010	910	810	710	620	530
					"	2-6 CL	–	1770	1520	1380	1220	1080	940	800
2"	†S243	4-1/4" SQ.	32	.032"	19-1/2B	1	–	1220	1050	950	840	740	650	550
					25-1/2B	1	–	1290	1110	1010	890	790	680	580
					"	2-6 CL	–	1930	1660	1510	1330	1180	1020	870
					29-1/2B	1	–	1360	1170	1060	940	830	720	610
					"	2-6 CL	–	2040	1750	1590	1410	1240	1080	920

- Notes:** 1) Steel fin furnished as .032 thick, painted black.
 2) NPT threads furnished on steel elements. Please use domestic fittings for proper installation.
 3) The ends can be provided chamfered for field welded fittings when specified.