

VERSA-LINE

Submittal

JVA-T / JVB-T 14, 20, 24
Versa-Line
Copper/Aluminum and
Steel Element Ratings

Specification

JVA Slip Jointed Enclosure

ENCLOSURE:

- STYLE: Flat Top, Top Outlet
 OUTLET: Stamped Louvers
 Pencil Proof
- LENGTHS: 2' thru 8' in 6" Increments
 MAT'L: 16 Ga. CRS STD.
 14 Ga. CRS (Opt'l)
- FINISH: Prime Finish Std.
 Baked Enamel (Opt'l).
 16 Ga. Stainless Steel (Opt'l)
 14 Ga. Aluminum (Opt'l)

ACCESSORIES:

- JV Overlapping Type
 All accessories return to the wall at the bottom and have pre-punched holes for fastening to the wall.

ELEMENT:

- TYPE: Cu/Al (Mechanically Expanded)
- LENGTHS: 2'0" thru 12'6" in 1" Increments for 1" & 1-1/4" Cu.
 2' thru 8' in 1" Increments for 3/4"Cu.
- One End Flared, Std.
- TYPE: IPS Steel (Mechanically Expanded)
- LENGTHS: 2'0" thru 12'6" in 1" Increments
 NPT Thread both Ends Std.
 Beveled Ends for Field Weld
 See Catalog for Working Pressures

JVB Slip Jointed Enclosure

BACKPLATE:

- TYPE: Partial B/P
 LENGTHS: 8' Only
 MAT'L: 20 Ga. Prepainted Std.
 18 Ga. Galvannealed (Opt'l)
- TYPE: Full Ht. B/P (Opt'l)
 LENGTH: 2' thru 8' in 6" increments
 MAT'L: 20 Ga. Galvannealed (Opt'l)
 18 Ga. Painted (Opt'l)

AIRSEAL:

- 1/8" x 3/8" Closed Cell (Opt'l)

BRACKETS:

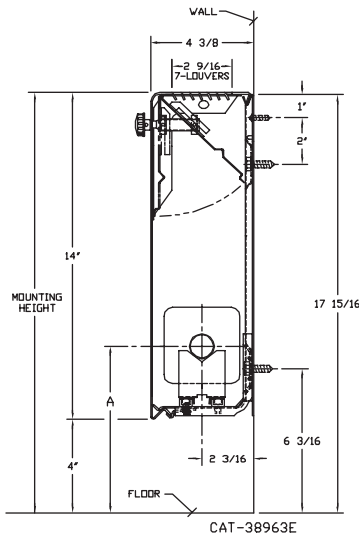
- Water Brkt w/B.B.
 Steam Brkt w/Brkt Mtd B.B. Hngr

DAMPER:

- Damper Blades Factory Installed
 Knob Damper (Opt'l)
 Tamper Resistant (Opt'l)

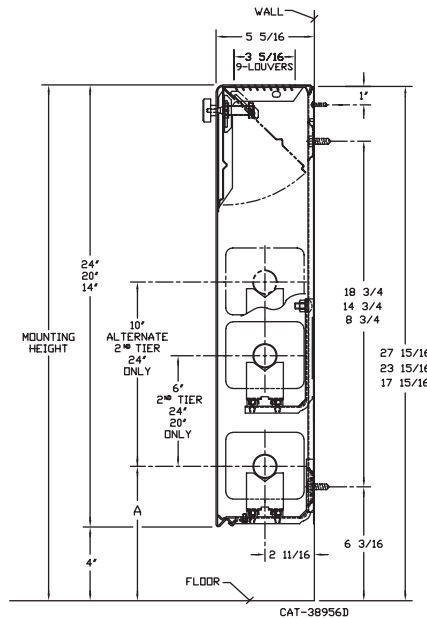
JVA-T14

ELEMENT TUBE SIZE	CRADLE	A
3/4" COPPER	2	7
1" COPPER	2	7-3/16
1-1/4" COPPER	1	6-5/8
1-1/4" STEEL	1	6-13/16



JVB-T14 20 24

ELEMENT TUBE SIZE	CRADLE	A
3/4" COPPER	2	7
1" COPPER	2	7-3/16
1-1/4" COPPER	2	7-5/16
1-1/4" STEEL	2	7-1/2
2" STEEL	1	7-1/4



STERLING
 COMMERCIAL HYDRONIC PRODUCTS
 260 North Elm St., Westfield, MA 01085
 (413) 564-5535 Fax: (413) 562-8437
 www.sterlingheat.com

PROJECT: _____ DATE: _____
 LOCATION: _____
 ARCHITECT: _____
 ENGINEER: _____
 CONTRACTOR: _____
 PO NUMBER: _____

STYLE "JVA-T / JVB-T 14, 20, 24" VERSA-LINE

COPPER/ALUMINUM ELEMENT RATINGS

TUBE SIZE	CATALOG DESIGNATION	FIN SIZE	FIN PER FT.	FIN THICKNESS	ENCL DEPTH AND HEIGHT IN INCHES	TIERS AND CENTERS IN INCHES	MTG. HEIGHT IN INCHES	STEAM 215° FACTOR 1.00	HOT WATER (AVG.)					
									200°	190°	180°	170°	160°	150°
									FACTOR					
									.86	.78	.69	.61	.53	.45
3/4"	C3/4-34	3-1/4" SQ.	40	.020"	14A	1	18	1130	970	880	780	690	600	510
3/4"	C3/4-35	3-1/4" SQ.	50	.020"	"	"	"	1280	1100	1000	880	780	680	580
1"	C33	3-1/4" SQ.	32	.020"	"	"	"	940	810	730	650	570	500	420
1"	C34	3-1/4" SQ.	40	.020"	"	"	"	1080	930	840	750	660	570	490
1"	C35	3-1/4" SQ.	50	.020"	"	* "	"	1220	1050	950	840	740	650	550
1-1/4"	C133	3-1/4" SQ.	32	.020"	14A	1	18	900	770	700	620	550	480	410
1-1/4"	C134	3-1/4" SQ.	40	.020"	"	"	"	1040	900	810	720	630	550	470
1-1/4"	C135	3-1/4" SQ.	50	.020"	"	"	"	1190	1020	930	820	730	630	540
3/4"	C3/4-434	4-1/4" x 3-5/8"	40	.020"	14B	1	18	1550	1330	1210	1070	950	820	700
					20B	1	24	1650	1420	1290	1140	1010	870	740
					"	2-6 CL	"	2360	2030	1840	1630	1440	1250	1060
					24B	1	28	1700	1460	1330	1170	1040	900	770
					"	2-6 CL	"	2460	2120	1920	1700	1500	1300	1110
3/4"	C3/4-435	4-1/4" x 3-5/8"	50	.020"	14B	1	18	1740	1500	1360	1200	1060	920	780
					20B	1	24	1870	1610	1460	1290	1140	990	840
					"	2-6 CL	"	2690	2310	2100	1860	1640	1430	1210
					24B	1	28	1960	1690	1530	1350	1200	1040	880
					"	2-6 CL	"	2910	2500	2270	2010	1780	1540	1310
1"	C433	4-1/4" x 3-5/8"	32	.020"	14B	1	18	1380	1190	1080	950	840	730	620
					20B	1	24	1450	1250	1130	1000	880	770	650
					"	2-6 CL	"	2260	1940	1760	1560	1380	1200	1020
					24B	1	28	1490	1280	1160	1030	910	790	670
					"	2-6 CL	"	2340	2010	1830	1610	1430	1240	1050
1"	C434	4-1/4" x 3-5/8"	40	.020"	14B	1	18	1650	1420	1290	1140	1010	870	740
					20B	1	24	1710	1470	1330	1180	1040	910	770
					"	2-6 CL	"	2440	2100	1900	1680	1490	1290	1100
					24B	1	28	1780	1530	1390	1230	1090	940	800
					"	2-6 CL	"	2530	2180	1970	1750	1540	1340	1140
1"	C435	4-1/4" x 3-5/8"	50	.020"	14B	1	18	1810	1560	1410	1250	1100	960	820
					20B	1	24	1960	1690	1530	1350	1200	1040	880
					"	2-6 CL	"	2520	2170	1970	1740	1540	1340	1130
					24B	1	28	2050	1760	1600	1410	1250	1090	920
					"	2-6 CL	"	2730	2350	2130	1880	1670	1450	1230
1-1/4"	C1433	4-1/4" x 3-5/8"	32	.020"	14B	1	18	1350	1160	1050	930	820	720	610
					20B	1	24	1420	1220	1110	980	870	750	640
					"	2-6 CL	"	2220	1910	1730	1530	1350	1180	1000
					24B	1	28	1460	1260	1140	1010	890	770	660
					"	2-6 CL	"	2300	1980	1790	1590	1400	1220	1040
					"	"	2350	2020	1830	1620	1430	1250	1060	

► **Bold, italicized units are**  **rated** ◀

STYLE "JVA-T / JVB-T 14, 20, 24" VERSA-LINE

COPPER/ALUMINUM ELEMENT RATINGS

TUBE SIZE	CATALOG DESIGNATION	FIN SIZE	FIN PER FT.	FIN THICKNESS	ENCL DEPTH AND HEIGHT IN INCHES	TIERS AND CENTERS IN INCHES	MTG. HEIGHT IN INCHES	STEAM FACTOR 215°	HOT WATER (AVG.)					
									200°	190°	180°	170°	160°	150°
									FACTOR					
									1.00	.86	.78	.69	.61	.53
1-1/4"	C1434	4-1/4" x 3-5/8"	40	.020"	14B	1	18	1580	1360	1230	1090	960	840	710
					20B	1	24	1680	1440	1310	1160	1020	890	760
					"	2-6 CL	"	2380	2050	1860	1640	1450	1260	1070
					24B	1	28	1740	1500	1360	1200	1060	920	780
					"	2-6 CL	"	2480	2130	1930	1710	1510	1310	1120
1-1/4"	C1435	4-1/4" x 3-5/8"	50	.020"	14B	1	18	1780	1530	1390	1230	1090	940	800
					20B	1	24	1920	1650	1500	1320	1170	1020	860
					"	2-6 CL	"	2460	2120	1920	1700	1500	1300	1110
					24B	1	28	2010	1730	1570	1390	1230	1070	900
					"	2-6 CL	"	2650	2280	2070	1830	1620	1400	1190
1"	C43	4-1/4" SQ.	32	.020"	14B	1	18	1490	1280	1160	1030	910	790	670
					20B	1	24	1550	1330	1210	1070	950	820	700
					"	2-6 CL	"	2390	2060	1860	1650	1460	1270	1080
					24B	1	28	1600	1380	1250	1100	980	850	720
					"	2-6 CL	"	2470	2120	1930	1700	1510	1310	1110
1"	C44	4-1/4" SQ.	40	.020"	14B	1	18	1720	1480	1340	1190	1050	910	770
					20B	1	24	1820	1570	1420	1260	1110	960	820
					"	2-6 CL	"	2570	2210	2000	1770	1570	1360	1160
					24B	1	28	1890	1630	1470	1300	1150	1000	850
					"	2-6 CL	"	2670	2300	2080	1840	1630	1420	1200
1"	C45	4-1/4" SQ.	50	.020"	14B	1	18	1930	1660	1510	1330	1180	1020	870
					20B	1	24	2100	1810	1640	1450	1280	1110	950
					"	2-6 CL	"	2540	2180	1980	1750	1550	1350	1140
					24B	1	28	2200	1890	1720	1520	1340	1170	990
					"	2-6 CL	"	2840	2440	2220	1960	1730	1510	1280
1-1/4"	C143	4-1/4" SQ.	32	.020"	14B	1	18	1460	1260	1140	1010	890	770	660
					20B	1	24	1520	1310	1190	1050	930	810	680
					"	2-6 CL	"	2350	2020	1830	1620	1430	1250	1060
					24B	1	28	1570	1350	1220	1080	960	830	710
					"	2-6 CL	"	2430	2090	1900	1680	1480	1290	1090
1-1/4"	C143	4-1/4" SQ.	32	.020"	14B	1	18	1460	1260	1140	1010	890	770	660
					20B	1	24	1520	1310	1190	1050	930	810	680
					"	2-6 CL	"	2350	2020	1830	1620	1430	1250	1060
					24B	1	28	1570	1350	1220	1080	960	830	710
					"	2-6 CL	"	2430	2090	1900	1680	1480	1290	1090
1-1/4"	C143	4-1/4" SQ.	32	.020"	14B	1	18	1460	1260	1140	1010	890	770	660
					20B	1	24	1520	1310	1190	1050	930	810	680
					"	2-6 CL	"	2350	2020	1830	1620	1430	1250	1060
					24B	1	28	1570	1350	1220	1080	960	830	710
					"	2-6 CL	"	2430	2090	1900	1680	1480	1290	1090
1-1/4"	C143	4-1/4" SQ.	32	.020"	14B	1	18	1460	1260	1140	1010	890	770	660
					20B	1	24	1520	1310	1190	1050	930	810	680
					"	2-6 CL	"	2350	2020	1830	1620	1430	1250	1060
					24B	1	28	1570	1350	1220	1080	960	830	710
					"	2-6 CL	"	2430	2090	1900	1680	1480	1290	1090
1-1/4"	C143	4-1/4" SQ.	32	.020"	14B	1	18	1460	1260	1140	1010	890	770	660
					20B	1	24	1520	1310	1190	1050	930	810	680
					"	2-6 CL	"	2350	2020	1830	1620	1430	1250	1060
					24B	1	28	1570	1350	1220	1080	960	830	710
					"	2-6 CL	"	2430	2090	1900	1680	1480	1290	1090
1-1/4"	C143	4-1/4" SQ.	32	.020"	14B	1	18	1460	1260	1140	1010	890	770	660
					20B	1	24	1520	1310	1190	1050	930	810	680
					"	2-6 CL	"	2350	2020	1830	1620	1430	1250	1060
					24B	1	28	1570	1350	1220	1080	960	830	710
					"	2-6 CL	"	2430	2090	1900	1680	1480	1290	1090

► **Bold, italicized units are**  **rated** ◀

STYLE "JVA-T / JVB-T 14, 20, 24" VERSA-LINE

COPPER/ALUMINUM ELEMENT RATINGS

TUBE SIZE	CATALOG DESIGNATION	FIN SIZE	FIN PER FT.	FIN THICKNESS	ENCL DEPTH AND HEIGHT IN INCHES	TIERS AND CENTERS IN INCHES	MTG. HEIGHT IN INCHES	STEAM 215° FACTOR 1.00	HOT WATER (AVG.)					
									200°	190°	180°	170°	160°	150°
									FACTOR					
									.86	.78	.69	.61	.53	.45
1-1/4"	C144	4-1/4" SQ.	40	.020"	14B	1	18	1690	1450	1320	1170	1030	900	760
					20B	1	24	1790	1540	1400	1240	1090	950	810
					"	2-6 CL	"	2520	2170	1970	1740	1540	1340	1130
					24B	1	28	1860	1600	1450	1280	1130	990	840
					"	2-6 CL	"	2620	2250	2040	1810	1600	1390	1180
"	2-10 CL	"	2670	2300	2080	1840	1630	1420	1200					
1-1/4"	C145	4-1/4" SQ.	50	.020"	14B	1	18	1900	1630	1480	1310	1160	1010	860
					20B	1	24	2060	1770	1610	1420	1260	1090	930
					"	2-6 CL	"	2500	2150	1950	1730	1530	1330	1130
					24B	1	28	2160	1860	1680	1490	1320	1140	970
					"	2-6 CL	"	2780	2390	2170	1920	1700	1470	1250
"	2-10 CL	"	2810	2420	2190	1940	1710	1490	1260					

Note: Copper tube furnished flared one end standard.

STEEL ELEMENT RATINGS

I.P.S. SIZE	CATALOG DESIGNATION	FIN SIZE	FIN PER FT.	FIN THICKNESS	ENCL DEPTH AND HEIGHT IN INCHES	TIERS AND CENTERS IN INCHES	MTG. HEIGHT IN INCHES	STEAM 215° FACTOR 1.00	HOT WATER (AVG.)					
									200°	190°	180°	170°	160°	150°
									FACTOR					
									.86	.78	.69	.61	.53	.45
1-1/4"	S133	3-1/4" SQ.	32	.032"	14A	1	18	850	730	660	590	520	450	380
1-1/4"	S134	3-1/4" SQ.	40	.032"	14A	1	18	960	830	750	660	590	510	430
1-1/4"	S143	4-1/4" SQ.	32	.032"	14B	1	18	1190	1020	950	820	730	630	540
					20B	1	24	1240	1070	970	860	760	660	560
					"	2-6 CL	"	2010	1730	1570	1390	1230	1070	910
					24B	1	28	1270	1090	990	880	780	670	570
					"	2-6 CL	"	2060	1770	1010	1420	1260	1090	930
"	2-10 CL	"	2150	1850	1680	1480	1310	1140	970					
1-1/4"	S144	4-1/4" SQ.	40	.032"	14B	1	18	1410	1210	1100	970	860	750	640
					20B	1	24	1490	1280	1160	1030	910	790	670
					"	2-6 CL	"	2190	1880	1710	1510	1340	1160	990
					24B	1	28	1550	1330	1210	1070	950	820	700
					"	2-6 CL	"	2260	1940	1760	1560	1380	1200	1020
"	2-10 CL	"	2410	2070	1880	1660	1470	1280	1090					
2"	S242	4-1/4" SQ.	25	.032"	14B	1	18	1080	930	840	750	660	570	490
					20B	1	24	1120	960	870	770	680	590	500
					"	2-6 CL	"	1790	1540	1400	1240	1090	950	810
					24B	1	28	1140	980	890	790	700	600	510
					"	2-6 CL	"	1820	1570	1420	1260	1110	970	820
"	2-10 CL	"	1920	1650	1500	1330	1170	1020	860					
2"	S243	4-1/4" SQ.	32	.032"	14B	1	18	1260	1080	980	870	770	670	570
					20B	1	24	1310	1130	1020	900	800	690	590
					"	2-6 CL	"	1980	1700	1540	1370	1210	1050	890
					24B	1	28	1340	1150	1050	930	820	710	600
					"	2-6 CL	"	2020	1740	1580	1390	1230	1070	910
"	2-10 CL	"	2170	1870	1690	1500	1320	1150	980					

- Notes: 1) Steel fin furnished as .032 thick, painted black.
 2) NPT threads furnished on steel elements. Please use domestic fittings for proper installation.
 3) The ends can be provided chamfered for field welded fittings when specified.

Steam Bracket and BB Hanger

ELEMENT TUBE SIZE	CRADLE NO.	A MIN	A MAX
3/4 COPPER	2	7 3/8	9 5/8
1" COPPER	2	7 1/2	9 3/4
1 1/4 COPPER	2	7 5/8	9 7/8
1 1/4 STEEL	1	7'	9 1/4

ELEMENT TUBE SIZE	CRADLE NO.	A MIN	A MAX
3/4 COPPER	2	7 3/8	8 3/4
1" COPPER	2	7 1/2	8 7/8
1 1/4 COPPER	2	7 5/8	9'
1 1/4 STEEL	2	7 7/8	9 1/4
2" STEEL	1	7 5/8	9'

