

VERSA-LINE

Submittal

JVA-F / JVB-F 14 20 & 24
Versa-Line
Copper/Aluminum and
Steel Element Ratings

Specification

JVA Slip Jointed Enclosure

ENCLOSURE:

STYLE: Flat Top, Front Outlet
OUTLET: Stamped Louvers
Pencil Proof

LENGTHS: 2' thru 8' in 6" Increments
MAT'L: 16 Ga. CRS STD.
 14 Ga. CRS (Opt'l)
FINISH: Prime Finish Std.
 Baked Enamel (Opt'l).
 16 Ga. Stainless Steel (Opt'l)
 14 Ga. Aluminum (Opt'l)

ACCESSORIES:

JV Overlapping Type
All accessories return to the wall at the bottom and have pre-punched holes for fastening to the wall.

ELEMENT:

TYPE: Cu/Al (Mechanically Expanded)
LENGTHS: 2'0" thru 12'6" in 1" Increments for 1" & 1-1/4" Cu.
2' thru 8' in 1" Increments for 3/4" Cu.
One End Flared, Std.
TYPE: IPS Steel (Mechanically Expanded)
LENGTHS: 2'0" thru 12'6" in 1" Increments
 NPT Thread both Ends Std.
 Beveled Ends for Field Weld
See Catalog for Working Pressures

JVB Slip Jointed Enclosure

BACKPLATE:

TYPE: Partial B/P
LENGTHS: 8' Only
MAT'L: 20 Ga. Prepainted Std.
 18 Ga. Galvannealed (Opt'l)
TYPE: Full Ht. B/P (Opt'l)
LENGTHS: 2' thru 8' in 6" increments
MAT'L: 20 Ga. Galvannealed (Opt'l)
 18 Ga. Painted (Opt'l)

AIRSEAL:

1/8" x 3/8" Closed Cell (Opt'l)

BRACKETS:

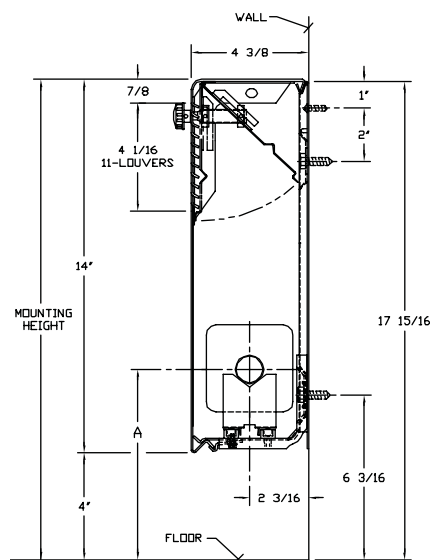
Water Brkt w/B.B.
 Steam Brkt w/Brkt Mtd B.B. Hngr

DAMPER:

Damper Blades Factory Installed
 Knob Damper (Opt'l)
 Tamper Resistant (Opt'l)

JVA-F14

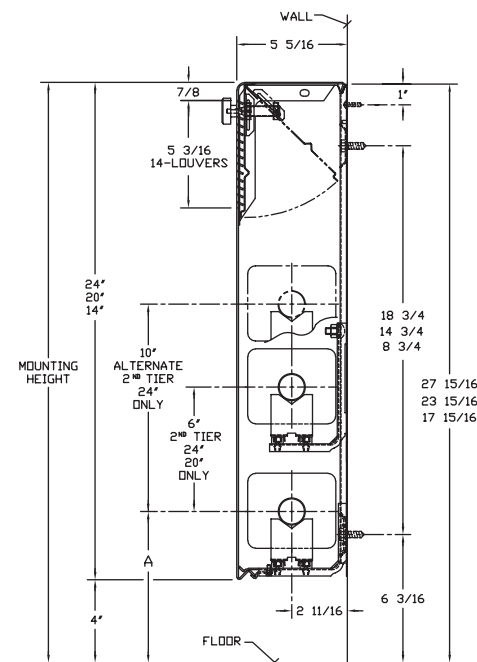
ELEMENT TUBE SIZE	CRADLE NO.	A
3/4" COPPER	2	7
1" COPPER	2	7-3/16
1-1/4" COPPER	1	6-5/8
1-1/4" STEEL	1	6-13/16



CAT-38964E

JVB-F14 20 24

ELEMENT TUBE SIZE	CRADLE	A
3/4" COPPER	2	7
1" COPPER	2	7-3/16
1-1/4" COPPER	2	7-5/16
1-1/4" STEEL	2	7-1/2
2" STEEL	1	7-1/4



CAT-38957D



STERLING
COMMERCIAL HYDRONIC PRODUCTS
260 North Elm St., Westfield, MA 01085
(413) 564-5535 Fax: (413) 562-8437
www.sterlingheat.com

PROJECT: _____ DATE: _____

LOCATION: _____

ARCHITECT: _____

ENGINEER: _____

CONTRACTOR: _____

PO NUMBER: _____

STYLE "JVA-F / JVB-F 14 20 24" VERSA-LINE

COPPER/ALUMINUM ELEMENT RATINGS

TUBE SIZE	CATALOG DESIGNATION	FIN SIZE	FIN PER FT.	FIN THICKNESS	ENCL DEPTH AND HEIGHT IN INCHES	TIERS AND CENTERS IN INCHES	MTG. HEIGHT IN INCHES	STEAM FACTOR 215°	HOT WATER (AVG.)					
									200°	190°	180°	170°	160°	150°
									FACTOR					
									1.00	.86	.78	.69	.61	.53
3/4"	C3/4-34	3-1/4" SQ.	40	.020"	14A	1	18	1340	1150	1050	920	820	710	600
3/4"	C3/4-35	3-1/4" SQ.	50	.020"	"	"	"	1480	1270	1150	1020	900	780	670
1"	C33	3-1/4" SQ.	32	.020"	"	"	"	1140	980	890	790	700	600	510
1"	C34	3-1/4" SQ.	40	.020"	"	"	"	1300	1120	1010	900	790	690	590
1"	C35	3-1/4" SQ.	50	.020"	"	1	"	1430	1230	1120	990	870	760	640
1-1/4"	C133	3-1/4" SQ.	32	.020"	14A	1	18	1090	940	850	750	660	580	490
1-1/4"	C134	3-1/4" SQ.	40	.020"	"	"	"	1240	1070	970	860	760	660	560
1-1/4"	C135	3-1/4" SQ.	50	.020"	"	"	"	1380	1190	1080	950	840	730	620
3/4"	C3/4-434	4-1/4" x 3-5/8"	40	.020"	14B	1	18	1680	1440	1310	1160	1020	890	760
					20B	1	24	1790	1540	1400	1240	1090	950	810
					"	2-6 CL	"	2560	2200	2000	1770	1560	1360	1150
					24B	1	28	1870	1610	1460	1290	1140	990	840
					"	2-6 CL	"	2670	2300	2080	1840	1630	1420	1200
"	"	2-10 CL	"	2670	2300	2080	1840	1630	1420	1200				
3/4"	C3/4-435	4-1/4" x 3-5/8"	50	.020"	14B	1	18	1820	1570	1420	1260	1110	960	820
					20B	1	24	2080	1790	1620	1440	1270	1100	940
					"	2-6 CL	"	2780	2390	2170	1920	1700	1470	1250
					24B	1	28	2230	1920	1740	1540	1360	1180	1000
					"	2-6 CL	"	2940	2530	2290	2030	1790	1560	1320
"	"	2-10 CL	"	3070	2640	2390	2120	1870	1630	1380				
1"	C433	4-1/4" x 3-5/8"	32	.020"	14B	1	18	1530	1320	1190	1060	930	810	690
					20B	1	24	1590	1370	1240	1100	970	840	720
					"	2-6 CL	"	2470	2120	1930	1700	1510	1310	1110
					24B	1	28	1640	1410	1280	1130	1000	870	740
					"	2-6 CL	"	2540	2180	1980	1750	1550	1350	1140
"	"	2-10 CL	"	2530	2180	1970	1750	1540	1340	1140				
1"	C434	4-1/4" x 3-5/8"	40	.020"	14B	1	18	1760	1510	1370	1210	1070	930	790
					20B	1	24	1870	1610	1460	1290	1140	990	840
					"	2-6 CL	"	2640	2270	2060	1820	1610	1400	1190
					24B	1	28	1950	1680	1520	1350	1190	1030	880
					"	2-6 CL	"	2750	2370	2150	1900	1680	1460	1240
"	"	2-10 CL	"	2750	2370	2150	1900	1680	1460	1240				
1"	C435	4-1/4" x 3-5/8"	50	.020"	14B	1	18	1900	1630	1480	1310	1160	1010	860
					20B	1	24	2160	1860	1680	1490	1320	1140	970
					"	2-6 CL	"	2600	2240	2030	1800	1590	1380	1170
					24B	1	28	2330	2000	1820	1610	1420	1230	1050
					"	2-6 CL	"	2760	2370	2150	1900	1680	1460	1240
"	"	2-10 CL	"	2900	2490	2260	2000	1770	1540	1310				
1-1/4"	C1433	4-1/4" x 3-5/8"	32	.020"	14B	1	18	1500	1290	1170	1040	920	800	680
					20B	1	24	1560	1340	1220	1080	950	830	700
					"	2-6 CL	"	2430	2090	1900	1680	1480	1290	1090
					24B	1	28	1600	1380	1250	1100	980	850	720
					"	2-6 CL	"	2500	2150	1950	1730	1530	1330	1130
"	"	2-10 CL	"	2490	2140	1940	1720	1520	1320	1120				

► **Bold, italicized units are** rated ◀

STYLE "JVA-F / JVB-F 14 20 24" VERSA-LINE

COPPER/ALUMINUM ELEMENT RATINGS

TUBE SIZE	CATALOG DESIGNATION	FIN SIZE	FIN PER FT.	FIN THICKNESS	ENCL DEPTH AND HEIGHT IN INCHES	TIERS AND CENTERS IN INCHES	MTG. HEIGHT IN INCHES	STEAM 215° FACTOR 1.00	HOT WATER (AVG.)					
									200°	190°	180°	170°	160°	150°
									FACTOR					
									.86	.78	.69	.61	.53	.45
1-1/4"	C1434	4-1/4" x 3-5/8"	40	.020"	14B	1	18	1730	1490	1350	1190	1060	920	780
					20B	1	24	1850	1590	1440	1280	1130	980	830
					"	2-6 CL	"	2590	2230	2020	1790	1580	1370	1170
					24B	1	28	1910	1640	1490	1320	1170	1010	860
					"	2-6 CL	"	2700	2320	2110	1860	1650	1430	1220
					"	2-10 CL	"	2700	2320	2110	1860	1650	1430	1220
1-1/4"	C1435	4-1/4" x 3-5/8"	50	.020"	14B	1	18	1820	1570	1420	1260	1110	960	820
					20B	1	24	2070	1780	1610	1430	1260	1100	930
					"	2-6 CL	"	2510	2160	1960	1730	1530	1330	1130
					24B	1	28	2230	1920	1740	1540	1360	1180	1000
					"	2-6 CL	"	2650	2280	2070	1830	1620	1400	1190
					"	2-10 CL	"	2790	2400	2180	1930	1700	1480	1260
1"	C43	4-1/4" SQ.	32	.020"	14B	1	18	1670	1440	1300	1150	1020	890	750
					20B	1	24	1720	1480	1340	1190	1050	910	770
					"	2-6 CL	"	2630	2260	2050	1810	1600	1390	1180
					24B	1	28	1760	1510	1370	1210	1070	930	790
					"	2-6 CL	"	2690	2310	2100	1860	1640	1430	1210
					"	2-10 CL	"	2710	2330	2110	1870	1650	1440	1220
1"	C44	4-1/4" SQ.	40	.020"	14B	1	18	1890	1630	1470	1300	1150	1000	850
					20B	1	24	2040	1750	1590	1410	1240	1080	920
					"	2-6 CL	"	2730	2350	2130	1880	1670	1450	1230
					24B	1	28	2130	1830	1660	1470	1300	1130	960
					"	2-6 CL	"	2860	2460	2230	1970	1740	1520	1290
					"	2-10 CL	"	2920	2510	2280	2010	1780	1550	1310
1"	C45	4-1/4" SQ.	50	.020"	14B	1	18	1980	1700	1540	1370	1210	1050	890
					20B	1	24	2260	1940	1760	1560	1380	1200	1010
					"	2-6 CL	"	2660	2290	2070	1840	1620	1410	1200
					24B	1	28	2430	2090	1900	1680	1480	1290	1090
					"	2-6 CL	"	2930	2520	2290	2020	1790	1550	1320
					"	2-10 CL	"	2990	2570	2330	2060	1820	1580	1350
1-1/4"	C143	4-1/4" SQ.	32	.020"	14B	1	18	1640	1410	1280	1130	1000	870	740
					20B	1	24	1690	1450	1320	1170	1030	900	760
					"	2-6 CL	"	2580	2220	2010	1780	1570	1370	1160
					24B	1	28	1730	1490	1350	1190	1060	920	780
					"	2-6 CL	"	2640	2270	2060	1820	1610	1400	1190
					"	2-10 CL	"	2660	2290	2070	1840	1620	1410	1200

► **Bold, italicized units are  rated** ◀

STYLE "JVA-F / JVB-F 14 20 24" VERSA-LINE

COPPER/ALUMINUM ELEMENT RATINGS

TUBE SIZE	CATALOG DESIGNATION	FIN SIZE	FIN PER FT.	FIN THICKNESS	ENCL DEPTH AND HEIGHT IN INCHES	TIERS AND CENTERS IN INCHES	MTG. HEIGHT IN INCHES	STEAM FACTOR 215° 1.00	HOT WATER (AVG.)					
									200°	190°	180°	170°	160°	150°
									FACTOR					
1-1/4"	C144	4-1/4" SQ.	48	.020"	14B	1	18	1860	1600	1450	1280	1130	990	840
					20B	1	24	2000	1720	1560	1380	1220	1060	900
					"	2-6 CL	"	2680	2300	2090	1850	1630	1420	1210
					24B	1	28	2100	1810	1640	1450	1280	1110	950
					"	2-6 CL	"	2810	2420	2190	1940	1710	1490	1260
1-1/4"	C145	4-1/4" SQ.	50	.020"	14B	1	18	1950	1680	1520	1350	1190	1030	880
					20B	1	24	2220	1910	1730	1530	1350	1180	1000
					"	2-6 CL	"	2610	2240	2040	1800	1590	1380	1170
					24B	1	28	2400	2060	1870	1660	1460	1270	1080
					"	2-6 CL	"	2870	2470	2240	1980	1750	1520	1290
1-1/4"	C145	4-1/4" SQ.	50	.020"	"	2-10 CL	"	2860	2460	2230	1970	1740	1520	1290
					14B	1	18	1950	1680	1520	1350	1190	1030	880
					20B	1	24	2220	1910	1730	1530	1350	1180	1000
					"	2-6 CL	"	2610	2240	2040	1800	1590	1380	1170
					24B	1	28	2400	2060	1870	1660	1460	1270	1080
1-1/4"	C145	4-1/4" SQ.	50	.020"	"	2-6 CL	"	2870	2470	2240	1980	1750	1520	1290
					"	2-10 CL	"	2940	2530	2290	2030	1790	1560	1320

Note: Copper tube furnished flared one end standard.

STEEL ELEMENT RATINGS

I.P.S. SIZE	CATALOG DESIGNATION	FIN SIZE	FIN PER FT.	FIN THICKNESS	ENCL DEPTH AND HEIGHT IN INCHES	TIERS AND CENTERS IN INCHES	MTG. HEIGHT IN INCHES	STEAM FACTOR 215° 1.00	HOT WATER (AVG.)					
									200°	190°	180°	170°	160°	150°
									FACTOR					
1-1/4"	S133	3-1/4" SQ.	32	.032"	14A	1	18	980	840	760	680	600	520	440
1-1/4"	S134	3-1/4" SQ.	40	.032"	14A	1	18	1110	950	870	770	680	590	500
1-1/4"	S143	4-1/4" SQ.	32	.032"	14B	1	18	1360	1170	1060	940	830	720	610
					20B	1	24	1370	1180	1070	950	840	730	620
					"	2-6 CL	"	2190	1890	1710	1510	1340	1160	990
					24B	1	28	1380	1190	1080	950	840	730	620
					"	2-6 CL	"	2230	1920	1740	1540	1360	1180	1000
1-1/4"	S144	4-1/4" SQ.	40	.032"	"	2-10 CL	"	2290	1970	1790	1580	1400	1210	1030
					14B	1	18	1560	1340	1220	1080	950	830	700
					20B	1	24	1620	1390	1260	1120	990	960	730
					"	2-6 CL	"	2350	2020	1830	1620	1430	1250	1060
					24B	1	28	1660	1430	1290	1150	1010	880	750
2"	S242	4-1/4" SQ.	25	.032"	"	2-6 CL	"	2400	2060	1870	1660	1460	1270	1080
					"	2-10 CL	"	2520	2170	1970	1740	1540	1340	1130
					14B	1	18	1210	1040	940	830	740	640	540
					20B	1	24	1220	1050	950	840	740	650	550
					"	2-6 CL	"	1910	1640	1490	1320	1170	1010	860
2"	S243	4-1/4" SQ.	32	.032"	24B	1	28	1230	1060	960	850	750	650	550
					"	2-6 CL	"	1940	1670	1510	1340	1180	1030	870
					"	2-10 CL	"	2020	1740	1580	1390	1230	1070	910
					14B	1	18	1380	1190	1080	950	840	730	620
					20B	1	24	1420	1220	1110	980	870	750	640
2"	S243	4-1/4" SQ.	32	.032"	"	2-6 CL	"	2130	1830	1160	1470	1300	1130	960
					24B	1	28	1450	1250	1130	1000	880	770	650
					"	2-6 CL	"	2170	1870	1690	1500	1320	1150	980
					"	2-10 CL	"	2240	1930	1750	1550	1370	1190	1010

- Notes: 1) Steel fin furnished as .032. thick, painted black.
 2) NPT threads furnished on steel elements. Please use domestic fittings for proper installation.
 3) The ends can be provided chamfered for field welded fittings when specified.

Steam Bracket and BB Hanger

ELEMENT TUBE SIZE	CRADLE NO.	A MIN	A MAX
3/4 COPPER	2	7 3/8	9 5/8
1" COPPER	2	7 1/2	9 3/4
1 1/4 COPPER	2	7 5/8	9 7/8
1 1/4 STEEL	1	7"	9 1/4

ELEMENT TUBE SIZE	CRADLE NO.	A MIN	A MAX
3/4 COPPER	2	7 3/8	8 3/4
1" COPPER	2	7 1/2	8 7/8
1 1/4 COPPER	2	7 5/8	9"
1 1/4 STEEL	2	7 7/8	9 1/4
2" STEEL	1	7 5/8	9"

