

VERSA-LINE

JVA-E / JVB-E
Versa-Line
Copper/Aluminum and
Steel Element Ratings

Submittal

Specification

□ JVA Slip Jointed Enclosure

ENCLOSURE:

STYLE: Flat Top, Top Outlet
OUTLET: Stamped Louvers
Pencil Proof

LENGTHS: 2' thru 8' in 6" Increments

MAT'L: 18 Ga. CRS Std.
 16 Ga. CRS (Opt'l)
 14 Ga. CRS (Opt'l)

FINISH: Prime Finish Std.
 Baked Enamel (Opt'l).
 16 Ga. Stainless Steel (Opt'l)
 14 Ga. Aluminum (Opt'l)

ACCESSORIES:

JV Overlapping Type

All accessories return to the wall at the bottom and have pre-punched holes for fastening to the wall.

ELEMENT:

TYPE: Cu/Al (Mechanically Expanded)

LENGTHS: 2'0" thru 12'6" in 1" Increments for 1" & 1-1/4" Cu.
2' thru 8' in 1" Increments for 3/4" Cu.

One End Flared, Std.

TYPE: IPS Steel (Mechanically Expanded)

LENGTHS: 2'0" thru 12'6" in 1" Increments
 NPT Thread both Ends Std.
 Beveled Ends for Field Weld
See Catalog for Working Pressures

□ JVB Slip Jointed Enclosure

BRACKETS:

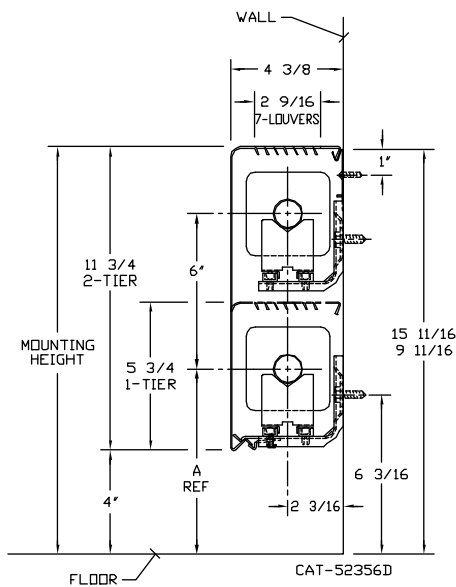
Water Brkt w/B.B.

DAMPER: Not Available

Not recommended for steam applications. Consult factory

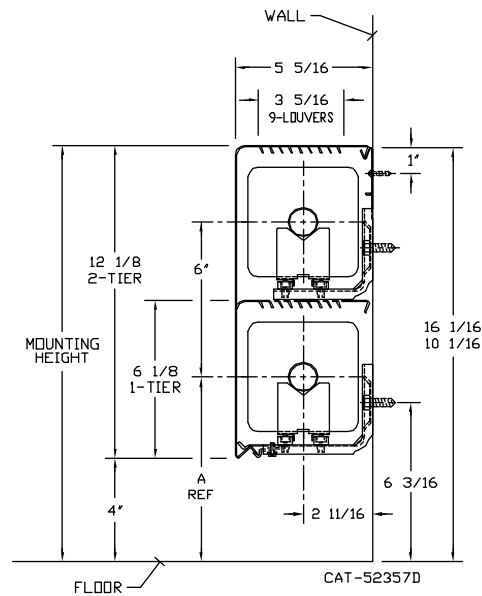
□ JVA-E5 11

ELEMENT TUBE SIZE	CRADLE NO.	A
3/4" COPPER	2	7
1" COPPER	2	7-3/16
1-1/4" COPPER	1	6-5/8
1-1/4" STEEL	1	6-13/16



□ JVB-E6 12

ELEMENT TUBE SIZE	CRADLE NO.	A
3/4" COPPER	2	7
1" COPPER	2	7-3/16
1-1/4" COPPER	2	7-5/16
1-1/4" STEEL	2	7-1/2
2" STEEL	1	7-1/4



STERLING
COMMERCIAL HYDRONIC PRODUCTS
260 North Elm St., Westfield, MA 01085
(413) 564-5535 Fax: (413) 562-8437
www.sterlingheat.com

PROJECT: _____ DATE: _____
LOCATION: _____
ARCHITECT: _____
ENGINEER: _____
CONTRACTOR: _____
PO NUMBER: _____

STYLE "JVA-E / JVB-E" VERSA-LINE

COPPER/ALUMINUM ELEMENT RATINGS

TUBE SIZE	CATALOG DESIGNATION	FIN SIZE	FIN PER FT.	FIN THICKNESS	ENCL DEPTH AND HEIGHT IN INCHES	TIERS AND CENTERS IN INCHES	MTG. HEIGHT IN INCHES	STEAM 215° FACTOR 1.00	HOT WATER (AVG.)					
									200°	190°	180°	170°	160°	150°
									FACTOR					
									.86	.78	.69	.61	.53	.45
3/4"	C3/4-34	3-1/4" SQ.	40	.020"	5A 11A	1 2-6 CL	9-3/4 15-3/4	970 1490	835 1280	755 1160	670 1030	590 910	495 760	435 670
3/4"	C3/4-35	3-1/4" SQ.	50	.020"	5A 11A	1 2-6 CL	9-3/4 15-3/4	980 1440	840 1240	765 1125	675 995	600 880	500 735	440 650
1"	C33	3-1/4" SQ.	32	.020"	5A 11A	1 2-6 CL	9-3/4 15-3/4	820 1360	705 1170	640 1060	565 940	500 830	420 695	370 610
1"	C34	3-1/4" SQ.	40	.020"	5A 11A	1 2-6 CL	9-3/4 15-3/4	950 1470	820 1265	740 1145	655 1015	580 900	485 750	425 660
1"	C35	3-1/4" SQ.	50	.020"	5A 11A	1 2-6 CL	9-3/4 15-3/4	960 1470	825 1265	750 1145	660 1015	585 900	490 750	430 660
1-1/4"	C133	3-1/4" SQ.	32	.020"	5A 11A	1 2-6 CL	9-3/4 15-3/4	780 1320	670 1135	610 1030	540 910	475 805	400 675	350 595
1-1/4"	C134	3-1/4" SQ.	40	.020"	5A 11A	1 2-6 CL	9-3/4 15-3/4	910 1400	780 1205	710 1090	630 965	555 855	465 715	410 630
1-1/4"	C135	3-1/4" SQ.	50	.020"	5A 11A	1 2-6 CL	9-3/4 15-3/4	920 1380	790 1185	715 1075	635 950	560 840	470 705	415 620
3/4"	C3/4-434	4-1/4" x 3-5/8"	40	.020"	6B 12B	1 2-6 CL	10-1/8 16-1/8	1190 1900	1025 1635	930 1480	820 1310	725 1160	605 970	535 855
3/4"	C3/4-435	4-1/4" x 3-5/8"	50	.020"	6B 12B	1 2-6 CL	10-1/8 16-1/8	1270 2060	1090 1770	990 1610	875 1420	775 1255	650 1050	570 925
1"	C433	4-1/4" x 3-5/8"	32	.020"	6B 12B	1 2-6 CL	10-1/8 16-1/8	1110 1690	955 1455	865 1320	765 1165	675 1030	565 860	500 760
1"	C434	4-1/4" x 3-5/8"	40	.020"	6B 12B	1 2-6 CL	10-1/8 16-1/8	1230 1960	1055 1685	960 1530	850 1352	740 1195	625 1000	555 880
1"	C435	4-1/4" x 3-5/8"	50	.020"	6B 12B	1 2-6 CL	10-1/8 16-1/8	1320 1930	1135 1660	1030 1510	910 1330	805 1175	675 985	595 870
1-1/4"	C1433	4-1/4" x 3-5/8"	32	.020"	6B 12B	1 2-6 CL	10-1/8 16-1/8	1090 1660	935 1425	815 1295	1045 1145	665 1010	555 845	490 745
1-1/4"	C1434	4-1/4" x 3-5/8"	40	.020"	6B 12B	1 2-6 CL	10-1/8 16-1/8	1210 1920	1040 1650	780 1500	835 1325	740 1170	615 980	545 865
1-1/4"	C1435	4-1/4" x 3-5/8"	50	.020"	6B 12B	1 2-6 CL	10-1/8 16-1/8	1300 1890	1120 1625	1015 1475	900 1305	795 1155	665 965	585 850
1"	C43	4-1/4" SQ.	32	.020"	6B 12B	1 2-6 CL	10-1/8 16-1/8	1220 1920	1050 1650	820 1495	840 1325	745 1170	620 980	550 865
1"	C44	4-1/4" SQ.	40	.020"	6B 12B	1 2-6 CL	10-1/8 16-1/8	1480 2010	1270 1730	1150 1565	1020 1385	900 1226	780 1025	670 905
1"	C45	4-1/4" SQ.	50	.020"	6B 12B	1 2-6 CL	10-1/8 16-1/8	1370 1930	1180 1660	1070 1510	945 1330	835 1175	700 985	615 870
1-1/4"	C143	4-1/4" SQ.	32	.020"	6B 12B	1 2-6 CL	10-1/8 16-1/8	1200 1880	1030 1615	935 1465	830 1300	730 1145	610 960	540 845
1-1/4"	C144	4-1/4" SQ.	40	.020"	6B 12B	1 2-6 CL	10-1/8 16-1/8	1330 1970	1145 1695	895 1535	920 1360	810 1200	680 1000	600 885
1-1/4"	C145	4-1/4" SQ.	50	.020"	6B 12B	1 2-6 CL	10-1/8 16-1/8	1350 1890	1160 1625	1055 1475	930 1305	825 1155	690 965	610 850

Note: Copper tube furnished flared one end standard.

► **Bold, italicized units are**  **rated** ◀

STYLE "JVA-E / JVB-E" VERSA-LINE

STEEL ELEMENT RATINGS

I.P.S. SIZE	CATALOG DESIGNATION	FIN SIZE	FIN PER FT.	FIN THICKNESS	ENCL DEPTH AND HEIGHT IN INCHES	TIERS AND CENTERS IN INCHES	MTG. HEIGHT IN INCHES	STEAM 215° FACTOR	HOT WATER (AVG.)					
									200°	190°	180°	170°	160°	150°
									FACTOR					
									1.00	.86	.78	.69	.61	.53
1-1/4"	S133	3-1/4" SQ.	32	.032"	5A	1	9-3/4	770	660	600	530	470	410	350
					11A	2-6 CL	15-3/4	1320	1140	1030	910	810	700	590
1-1/4"	S134	3-1/4" SQ.	40	.032"	5A	1	9-3/4	870	750	680	600	530	460	390
					11A	2-6 CL	15-3/4	1490	1280	1160	1030	910	790	670
1-1/4"	S143	4-1/4" SQ.	32	.032"	6B	1	10-1/8	1090	940	850	750	670	580	490
					12B	2-6 CL	16-1/8	1840	1580	1440	1270	1120	980	830
1-1/4"	S144	4-1/4" SQ.	40	.032"	6B	1	10-1/8	1210	1040	940	830	740	640	540
					12B	2-6 CL	16-1/8	1900	1630	1480	1310	1160	1010	860
2"	S242	4-1/4" SQ.	25	.032"	6B	1	10-1/8	950	820	740	660	580	500	430
					12B	2-6 CL	16-1/8	1620	1390	1260	1120	990	860	730
2"	S243	4-1/4" SQ.	32	.032"	6B	1	10-1/8	1130	970	880	780	690	600	510
					12B	2-6 CL	16-1/8	1770	1520	1380	1220	1080	940	800

- Notes:** 1) Steel fin furnished as .032 thick, painted black.
 2) NPT threads furnished on steel elements. Please use domestic fittings for proper installation.
 3) The ends can be provided chamfered for field welded fittings when specified.

STYLE E ACCESSORIES

