



**STERLING**<sup>®</sup>  
COMMERCIAL HYDRONIC PRODUCTS

## PANEL RADIATOR

## TECHNICAL DATA

Page Number

Panel Radiator Weights	2
Btu Correction Factors	3
Standard Piping Connection Locations PR, PRF, PRC Assemblies	4
Standard Piping Connection Locations PR2, PR2F, PR3F Assemblies	5
Standard Piping Connection Locations PRV Assemblies	6
Pressure Drops for PR, PRF & PRC Panel Assemblies: Opposite End Connections	7
Pressure Drops for PR, PRF & PRC Panel Assemblies: Same End Connections	8
Pressure Drops for PR2, PR2F & PR3F Panel Assemblies: Opposite End Connections	9
Pressure Drops for PR2, PR2F & PR3F Panel Assemblies: Same End Connections	10
Pressure Drops for PRV Panel Assemblies: Opposite End Connections	11
Pressure Drops for PRV Panel Assemblies: Same End Connections	12



**STERLING**<sup>®</sup>  
COMMERCIAL HYDRONIC PRODUCTS

260 North Elm Street Westfield, MA 01085

(413) 564-5535 Fax: (413) 562-8437

[www.sterlingheat.com](http://www.sterlingheat.com)

PROJECT: \_\_\_\_\_

DATE: \_\_\_\_\_

LOCATION: \_\_\_\_\_

ARCHITECT: \_\_\_\_\_

ENGINEER: \_\_\_\_\_

CONTRACTOR: \_\_\_\_\_

P.O. NUMBER \_\_\_\_\_



# STERLING®

COMMERCIAL HYDRONIC PRODUCTS

## PANEL RADIATOR ASSEMBLY WEIGHTS PER FOOT

Model	Wgt /Ft	Model	Wgt /Ft	Model	Wgt /Ft	Model	Wgt /Ft	Model	Wgt /Ft	Model	Wgt /Ft	Model	Wgt /Ft
PR-1	1.3	PR2-1	2.6	PRF-1	1.9	PR2F-1	3.6	PR3F-1	6.0	PRC-1	1.3	PRV-1	1.3
PR-2	2.4	PR2-2	4.8	PRF-2	3.5	PR2F-2	6.9	PR3F-2	10.5	PRC-2	2.4	PRV-2	2.4
PR-3	3.5	PR2-3	7.0	PRF-3	5.1	PR2F-3	10.1	PR3F-3	15.3	PRC-3	3.5	PRV-3	3.5
PR-4	4.6	PR2-4	9.2	PRF-4	7.1	PR2F-4	13.9	PR3F-4	21.3	PRC-4	4.6	PRV-4	4.6
PR-5	5.7	PR2-5	11.4	PRF-5	9.9	PR2F-5	16.8	PR3F-5	29.7	PRC-5	5.7	PRV-5	5.7
PR-6	6.8	PR2-6	13.6	PRF-6	11.7	PR2F-6	20.0	PR3F-6	35.1	PRC-6	6.8	PRV-6	6.8
PR-7	8.0	PR2-7	16.0	PRF-7	13.8	PR2F-7	23.5	PR3F-7	41.4	PRC-7	8.0	PRV-7	8.0
PR-8	9.1	PR2-8	18.2	PRF-8	16.4	PR2F-8	27.6	PR3F-8	49.2	PRC-8	9.1	PRV-8	9.1
PR-9	10.2	PR2-9	20.4	PRF-9	17.5	PR2F-9	29.9	PR3F-9	52.5	PRC-9	10.2	PRV-9	10.2
PR-10	11.3	PR2-10	22.6	PRF-10	18.6	PR2F-10	32.1	PR3F-10	55.8	PRC-10	11.3	PRV-10	11.3

Weights listed above are for LOW PRESSURE PANEL RADIATOR ASSEMBLIES

Model	Wgt /Ft	Model	Wgt /Ft	Model	Wgt /Ft	Model	Wgt /Ft	Model	Wgt /Ft	Model	Wgt /Ft	Model	Wgt /Ft
PR-1	1.4	PR2-1	2.9	PRF-1	2.1	PR2F-1	4.0	PR3F-1	6.6	PRC-1	1.4	PRV-1	1.4
PR-2	2.6	PR2-2	5.3	PRF-2	3.9	PR2F-2	7.6	PR3F-2	11.6	PRC-2	2.6	PRV-2	2.6
PR-3	3.9	PR2-3	7.7	PRF-3	5.6	PR2F-3	11.1	PR3F-3	16.8	PRC-3	3.9	PRV-3	3.9
PR-4	5.1	PR2-4	10.1	PRF-4	7.8	PR2F-4	15.3	PR3F-4	23.4	PRC-4	5.1	PRV-4	5.1
PR-5	6.3	PR2-5	12.5	PRF-5	10.9	PR2F-5	18.5	PR3F-5	32.7	PRC-5	6.3	PRV-5	6.3
PR-6	7.5	PR2-6	15.0	PRF-6	12.9	PR2F-6	22.0	PR3F-6	38.6	PRC-6	7.5	PRV-6	7.5
PR-7	8.8	PR2-7	17.6	PRF-7	15.2	PR2F-7	25.9	PR3F-7	45.5	PRC-7	8.8	PRV-7	8.8
PR-8	10.0	PR2-8	20.0	PRF-8	18.0	PR2F-8	30.4	PR3F-8	54.1	PRC-8	10.0	PRV-8	10.0
PR-9	11.2	PR2-9	22.4	PRF-9	19.3	PR2F-9	32.9	PR3F-9	57.8	PRC-9	11.2	PRV-9	11.2
PR-10	12.4	PR2-10	24.9	PRF-10	20.5	PR2F-10	35.3	PR3F-10	61.4	PRC-10	12.4	PRV-10	12.4

Weights listed above are for MEDIUM PRESSURE PANEL RADIATOR ASSEMBLIES

Model	Wgt /Ft	Model	Wgt /Ft	Model	Wgt /Ft	Model	Wgt /Ft	Model	Wgt /Ft	Model	Wgt /Ft	Model	Wgt /Ft
PR-1	1.5	PR2-1	3.0	PRF-1	2.2	PR2F-1	4.1	PR3F-1	6.9	PRC-1	1.5	PRV-1	1.5
PR-2	2.8	PR2-2	5.5	PRF-2	4.0	PR2F-2	7.9	PR3F-2	12.1	PRC-2	2.8	PRV-2	2.8
PR-3	4.0	PR2-3	8.1	PRF-3	5.9	PR2F-3	11.6	PR3F-3	17.6	PRC-3	4.0	PRV-3	4.0
PR-4	5.3	PR2-4	10.6	PRF-4	8.2	PR2F-4	16.0	PR3F-4	24.5	PRC-4	5.3	PRV-4	5.3
PR-5	6.6	PR2-5	13.1	PRF-5	11.4	PR2F-5	19.3	PR3F-5	34.2	PRC-5	6.6	PRV-5	6.6
PR-6	7.8	PR2-6	15.6	PRF-6	13.5	PR2F-6	23.0	PR3F-6	40.4	PRC-6	7.8	PRV-6	7.8
PR-7	9.2	PR2-7	18.4	PRF-7	15.9	PR2F-7	27.0	PR3F-7	47.6	PRC-7	9.2	PRV-7	9.2
PR-8	10.5	PR2-8	20.9	PRF-8	18.9	PR2F-8	31.7	PR3F-8	56.6	PRC-8	10.5	PRV-8	10.5
PR-9	11.7	PR2-9	23.5	PRF-9	20.1	PR2F-9	34.4	PR3F-9	60.4	PRC-9	11.7	PRV-9	11.7
PR-10	13.0	PR2-10	26.0	PRF-10	21.4	PR2F-10	36.9	PR3F-10	64.2	PRC-10	13.0	PRV-10	13.0

Weights listed above are for HIGH PRESSURE PANEL RADIATOR ASSEMBLIES



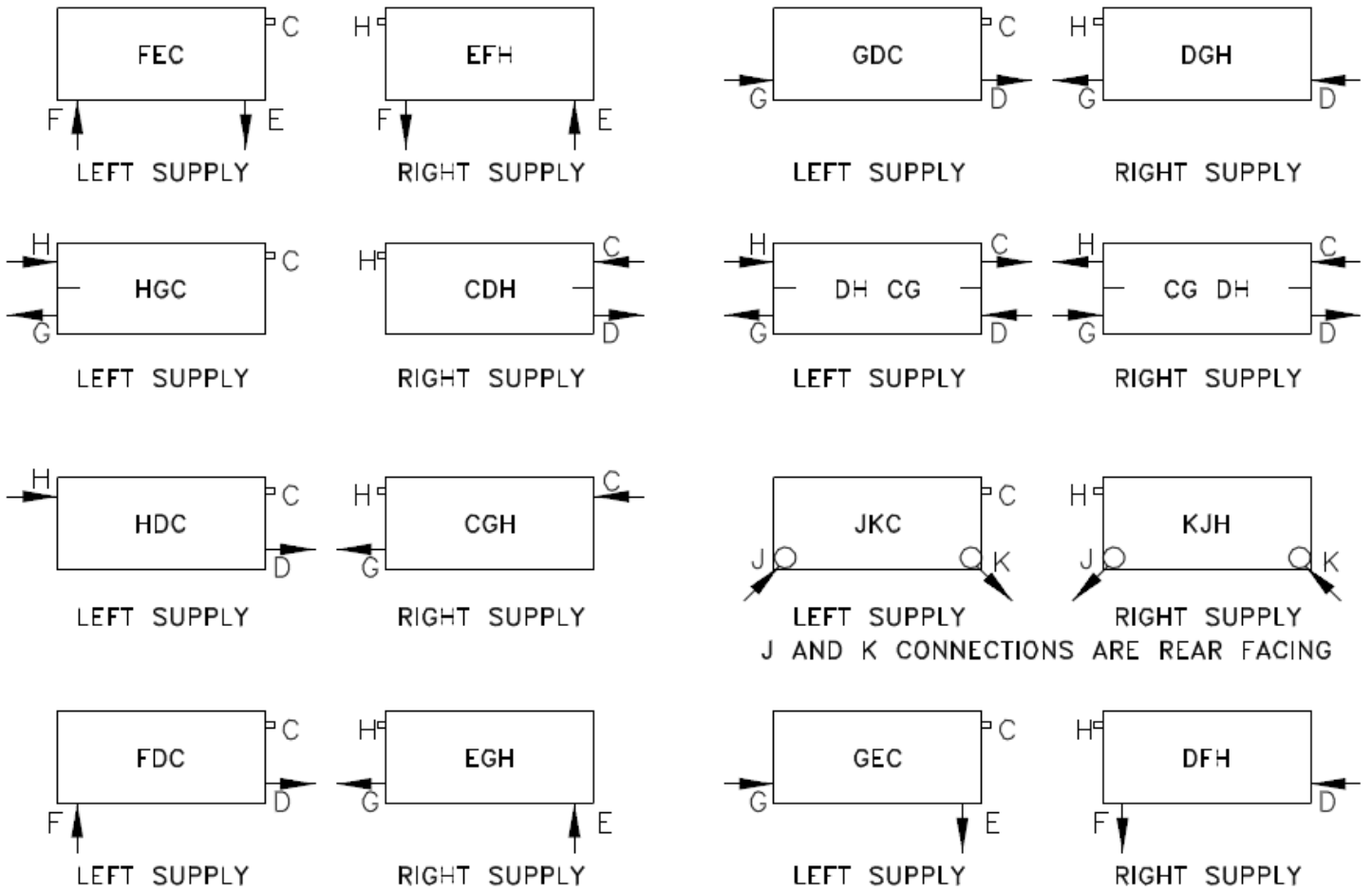
**CORRECTION FACTORS FOR AVERAGE WATER TEMPERATURES  
AND ENTERING AIR TEMPERATURES OTHER THAN STANDARD**

AWT	EAT										
	45°F	50°F	55°F	60°F	65°F	70°F	75°F	80°F	85°F	90°F	95°F
240°F	1.365	1.350	1.304	1.266	1.220	1.171	1.124	1.086	1.039	1.0	0.953
235°F	1.343	1.305	1.267	1.219	1.171	1.124	1.086	1.038	1.0	0.952	0.910
230°F	1.305	1.267	1.219	1.171	1.124	1.086	1.038	1.0	0.952	0.910	0.868
225°F	1.267	1.219	1.171	1.124	1.086	1.038	1.0	0.952	0.910	0.868	0.826
220°F	1.219	1.171	1.124	1.086	1.038	1.0	0.952	0.910	0.868	0.826	0.785
215°F	1.171	1.124	1.086	1.038	1.0	0.952	0.910	0.868	0.826	0.785	0.744
210°F	1.124	1.086	1.038	1.0	0.952	0.910	0.868	0.826	0.785	0.744	0.704
205°F	1.086	1.038	1.0	0.952	0.910	0.868	0.826	0.785	0.744	0.704	0.664
200°F	1.038	1.0	0.952	0.910	0.868	0.826	0.785	0.744	0.704	0.664	0.625
195°F	1.0	0.952	0.910	0.868	0.826	0.785	0.744	0.704	0.664	0.625	0.587
190°F	0.952	0.910	0.868	0.826	0.785	0.744	0.704	0.664	0.625	0.587	0.549
185°F	0.910	0.868	0.826	0.785	0.744	0.704	0.664	0.625	0.587	0.549	0.511
180°F	0.868	0.826	0.785	0.744	0.704	0.664	0.625	0.587	0.549	0.511	0.474
175°F	0.826	0.785	0.744	0.704	0.664	0.625	0.587	0.549	0.511	0.474	0.438
170°F	0.785	0.744	0.704	0.664	0.625	0.587	0.549	0.511	0.474	0.438	0.403
165°F	0.744	0.704	0.664	0.625	0.587	0.549	0.511	0.474	0.438	0.403	0.369
160°F	0.704	0.664	0.625	0.587	0.549	0.511	0.474	0.438	0.403	0.369	0.334
155°F	0.664	0.625	0.587	0.549	0.511	0.474	0.438	0.403	0.369	0.334	0.301
150°F	0.625	0.587	0.549	0.511	0.474	0.438	0.403	0.369	0.334	0.301	0.269
145°F	0.587	0.549	0.511	0.474	0.438	0.403	0.369	0.334	0.301	0.269	0.237
140°F	0.549	0.511	0.474	0.438	0.403	0.369	0.334	0.301	0.269	0.237	0.207
135°F	0.511	0.474	0.438	0.403	0.369	0.334	0.301	0.269	0.237	0.207	0.177
130°F	0.474	0.438	0.403	0.369	0.334	0.301	0.269	0.237	0.207	0.177	0.149
125°F	0.438	0.403	0.369	0.334	0.301	0.269	0.237	0.207	0.177	0.149	0.122
120°F	0.403	0.369	0.334	0.301	0.269	0.237	0.207	0.177	0.149	0.122	0.096
115°F	0.369	0.334	0.301	0.269	0.237	0.207	0.177	0.149	0.122	0.096	0.071
110°F	0.334	0.301	0.269	0.237	0.207	0.177	0.149	0.122	0.096	0.071	0.500
105°F	0.301	0.269	0.237	0.207	0.177	0.149	0.122	0.096	0.071	0.500	0.030
100°F	0.269	0.237	0.207	0.177	0.149	0.122	0.096	0.071	0.500	0.030	0.011

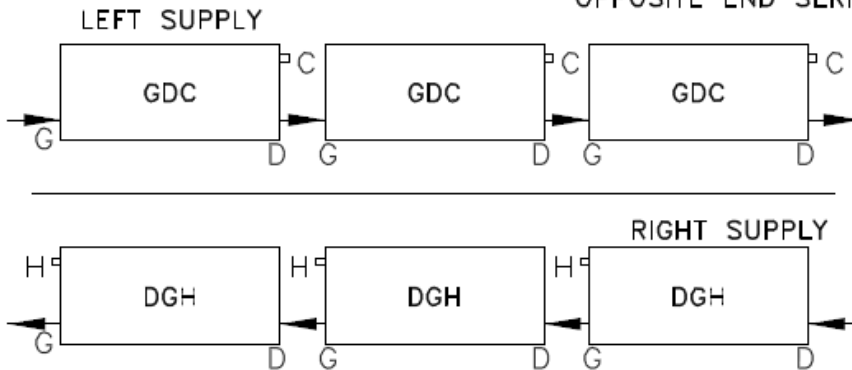
**EXAMPLE: To find the BTUH/ft Rating for an PRF-4 Panel at 145°F AWT and 65°F EAT, Multiply the Correction Factor (0.438) by the BTUH/ft Rating at 215°F (1351), e.g. (0.438) X (1351) = 592 BTUH/ft**

# STANDARD PIPING CONNECTION LOCATIONS

## PR, PRF, PRC PIPING OPTIONS



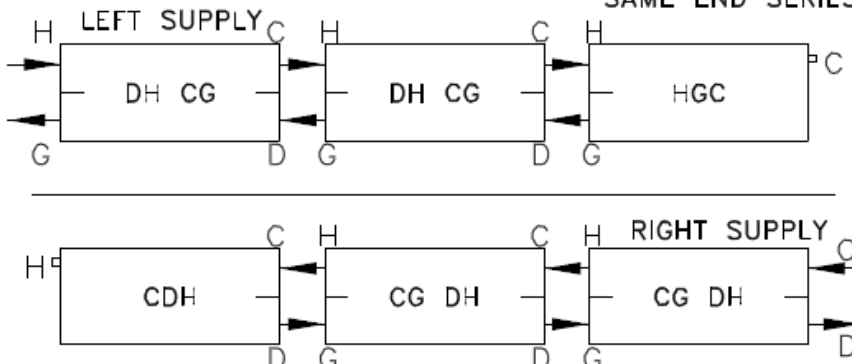
## OPPOSITE END SERIES



### NOTES:

- VENT ON EACH PANEL
- CAN ELIMINATE COSTLY RISERS
- LOWER PD THAN SAME END SERIES
- UP TO 7 RADIATORS (100 FT) IN SERIES OPPOSITE END
- EXPANSION COMPENSATION PIPING TO BE PROVIDED BY OTHERS

## SAME END SERIES

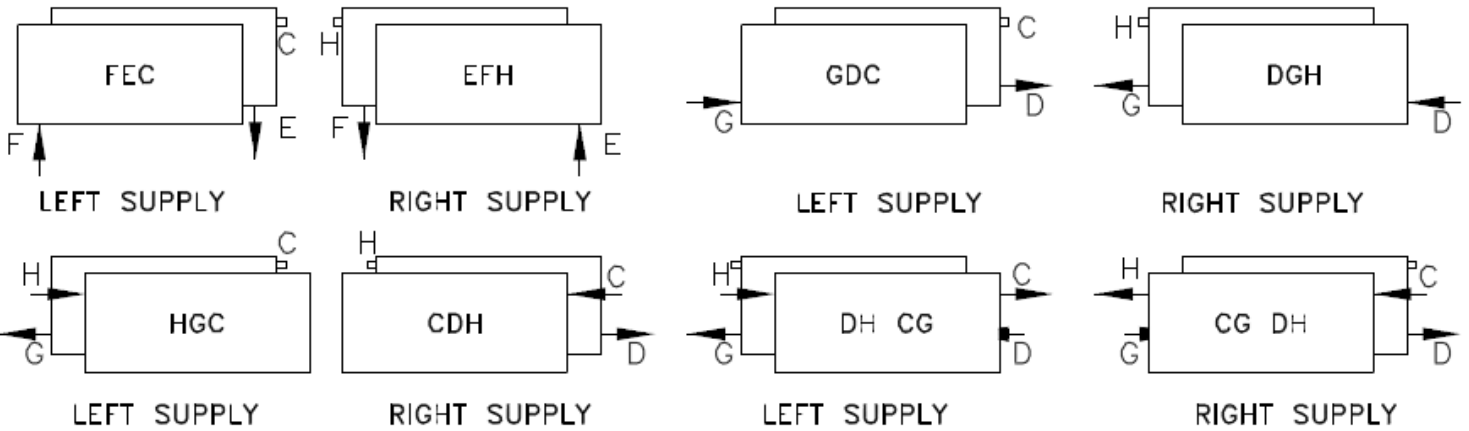


### NOTES:

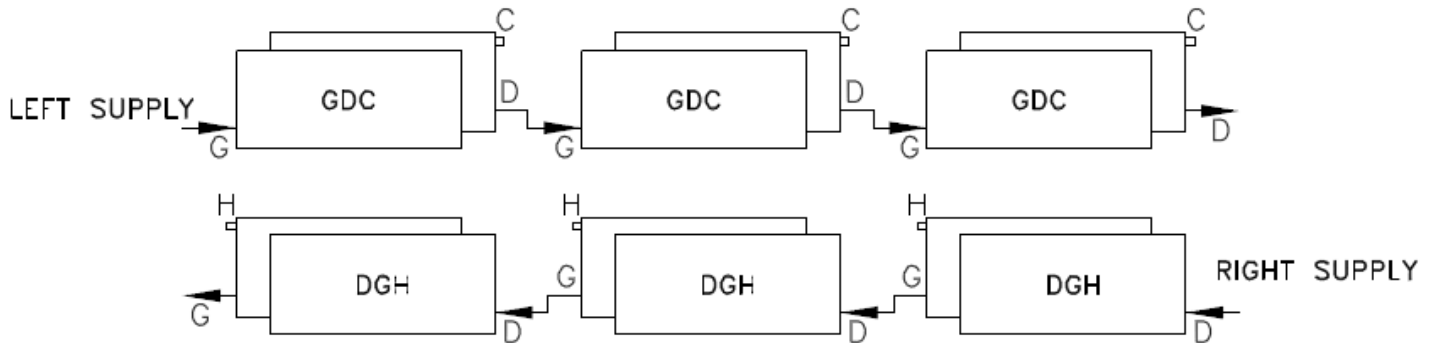
- SAME AWT OVER THE ENTIRE SAME END SERIES
- CAN ELIMINATE COSTLY RISERS
- HIGHER PD THAN OPPOSITE END SERIES
- NO MORE THAN 3 RADIATORS IN SERIES SAME END
- EXPANSION COMPENSATION PIPING TO BE PROVIDED BY OTHERS

# STANDARD PIPING CONNECTION LOCATIONS

## PR2, PR2F, PR3F PIPING OPTIONS



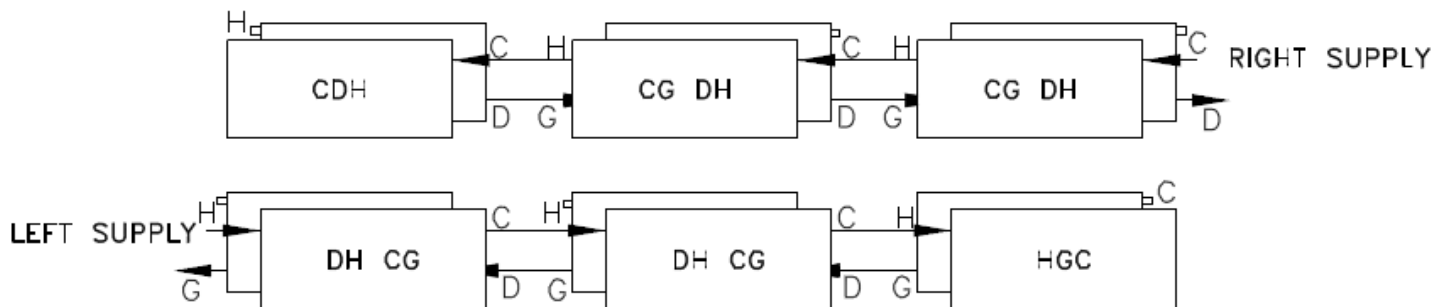
## OPPOSITE END SERIES



### NOTES:

- VENT ON EACH PANEL
- CAN ELIMINATE COSTLY RISERS
- LOWER PD THAN SAME END SERIES
- UP TO 7 RADIATORS (100 FT) IN SERIES OPPOSITE END
- EXPANSION COMPENSATION PIPING TO BE PROVIDED BY OTHERS

## SAME END SERIES

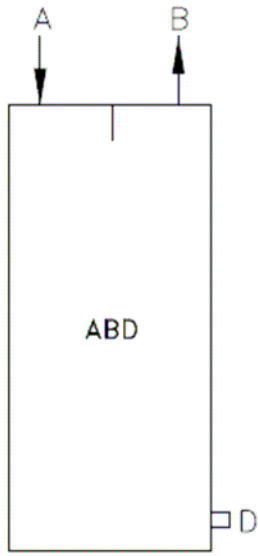


### NOTES:

- SAME AWT OVER THE ENTIRE SAME END SERIES
- CAN ELIMINATE COSTLY RISERS
- HIGHER PD THAN OPPOSITE END SERIES
- NO MORE THAN 3 RADIATORS IN SERIES SAME END
- EXPANSION COMPENSATION PIPING TO BE PROVIDED BY OTHERS

# STANDARD PIPING CONNECTION LOCATIONS

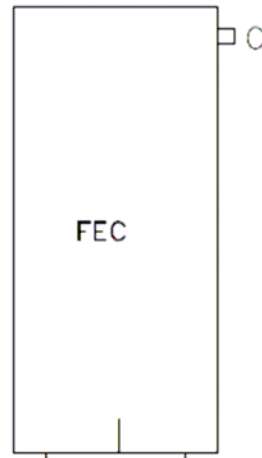
PRV



LEFT SUPPLY



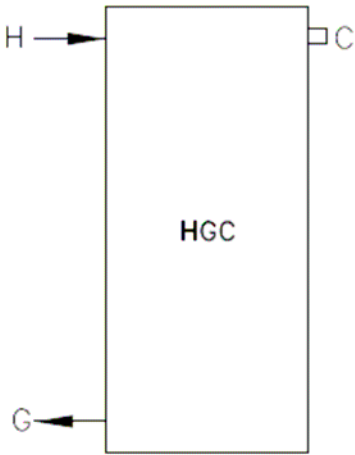
RIGHT SUPPLY



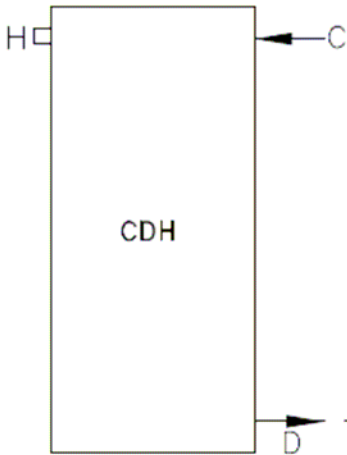
LEFT SUPPLY



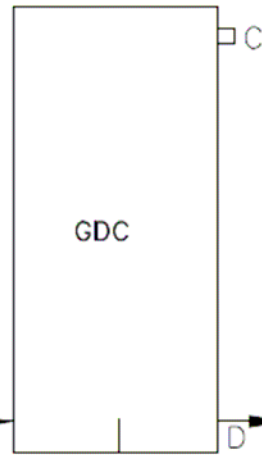
RIGHT SUPPLY



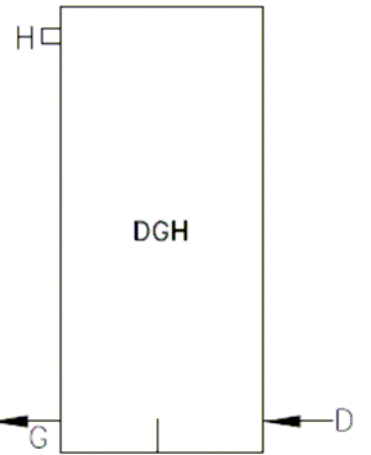
LEFT SUPPLY



RIGHT SUPPLY



LEFT SUPPLY

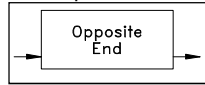


RIGHT SUPPLY



Models Type PR\_PRF\_PRC  
 Pressure Drop: Opposite End

Radiator Pressure Drop - Foot Of Head Per Radiator



		RADIATOR MODEL										CONNECTION PD
		PR / PRF / PRC										PER CONNECTION
		-1	-2	-3	-4	-5	-6	-7	-8	-9	-10	1/2" CONN PD
LOW PRESSURE TUBE		NUMBER OF TUBES WITH SUPPLY WATER FLOW										
		1	2	3	4	5	6	7	8	9	10	
GPM	0.50	0.21	0.05	0.02	0.01	0.01	0.01	0.00	0.00	0.00	0.00	0.01
	0.75	0.45	0.12	0.05	0.03	0.02	0.01	0.01	0.01	0.01	0.01	0.01
	1.00	0.79	0.21	0.09	0.05	0.04	0.02	0.02	0.01	0.01	0.01	0.03
	1.50	1.72	0.45	0.21	0.12	0.08	0.05	0.04	0.03	0.02	0.02	0.04
	2.00	3.00	0.79	0.36	0.21	0.13	0.09	0.07	0.05	0.04	0.04	0.06
	2.50	4.61	1.21	0.55	0.32	0.21	0.15	0.11	0.08	0.07	0.05	0.08
	3.00	6.56	1.72	0.79	0.45	0.29	0.21	0.15	0.12	0.09	0.08	0.10
	3.50	8.83	2.32	1.06	0.61	0.40	0.28	0.21	0.16	0.13	0.10	0.15
	4.00	11.42	3.00	1.37	0.79	0.51	0.36	0.27	0.21	0.16	0.13	0.18
	4.50	14.34	3.76	1.72	0.99	0.64	0.45	0.34	0.26	0.21	0.17	0.20
	5.00	17.57	4.61	2.11	1.21	0.79	0.55	0.41	0.32	0.25	0.21	0.25
	5.50	21.12	5.54	2.53	1.45	0.95	0.67	0.49	0.38	0.30	0.25	0.28
	6.00	24.98	6.56	3.00	1.72	1.12	0.79	0.58	0.45	0.36	0.29	0.33
	6.50	29.15	7.65	3.50	2.01	1.31	0.92	0.68	0.53	0.42	0.34	0.37
	7.00	33.64	8.83	4.04	2.32	1.51	1.06	0.79	0.61	0.48	0.40	0.42
	7.50	38.43	10.08	4.61	2.65	1.72	1.21	0.90	0.69	0.55	0.45	0.50
	8.00	43.52	11.42	5.22	3.00	1.95	1.37	1.02	0.79	0.63	0.51	0.56

MEDIUM PRESSURE TUBE

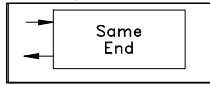
GPM	0.50	0.46	0.12	0.06	0.03	0.02	0.01	0.01	0.01	0.01	0.01	0.01
	0.75	1.00	0.26	0.12	0.07	0.04	0.03	0.02	0.02	0.01	0.01	0.01
	1.00	1.75	0.46	0.21	0.12	0.08	0.06	0.04	0.03	0.03	0.02	0.03
	1.50	3.83	1.00	0.46	0.26	0.17	0.12	0.09	0.07	0.06	0.04	0.04
	2.00	6.67	1.75	0.80	0.46	0.30	0.21	0.16	0.12	0.10	0.08	0.06
	2.50	10.26	2.69	1.23	0.71	0.46	0.32	0.24	0.19	0.15	0.12	0.08
	3.00	14.59	3.83	1.75	1.00	0.65	0.46	0.34	0.26	0.21	0.17	0.10
	3.50	19.65	5.16	2.36	1.35	0.88	0.62	0.46	0.36	0.28	0.23	0.15
	4.00	25.42	6.67	3.05	1.75	1.14	0.80	0.59	0.46	0.37	0.30	0.18
	4.50	31.91	8.37	3.83	2.20	1.43	1.00	0.75	0.58	0.46	0.37	0.20
	5.00	39.10	10.26	4.69	2.69	1.75	1.23	0.91	0.71	0.56	0.37	0.25
	5.50	47.00	12.33	5.64	3.24	2.10	1.48	1.10	0.85	0.68	0.55	0.28
	6.00	55.60	14.59	6.67	3.83	2.49	1.75	1.30	1.00	0.80	0.65	0.33
	6.50	64.88	17.03	7.79	4.47	2.90	2.04	1.52	1.17	0.93	0.76	0.37
	7.00	74.86	19.65	8.98	5.16	3.35	2.36	1.75	1.35	1.08	0.88	0.42
	7.50	85.52	22.44	10.26	5.89	3.83	2.69	2.00	1.55	1.23	1.00	0.50
	8.00	96.87	25.42	11.62	6.67	4.34	3.05	2.27	1.75	1.39	1.14	0.56

HIGH PRESSURE TUBE

GPM	0.50	0.82	0.22	0.10	0.06	0.04	0.03	0.02	0.01	0.01	0.01	0.01
	0.75	1.79	0.47	0.22	0.12	0.08	0.06	0.04	0.03	0.03	0.02	0.01
	1.00	3.13	0.82	0.38	0.22	0.14	0.10	0.07	0.06	0.05	0.04	0.03
	1.50	6.84	1.79	0.82	0.47	0.31	0.22	0.16	0.12	0.10	0.08	0.04
	2.00	11.91	3.13	1.43	0.82	0.53	0.38	0.28	0.22	0.17	0.14	0.06
	2.50	18.33	4.81	2.20	1.26	0.82	0.58	0.43	0.33	0.26	0.22	0.08
	3.00	26.06	6.84	3.13	1.79	1.17	0.82	0.61	0.47	0.38	0.31	0.10
	3.50	35.09	9.21	4.21	2.42	1.57	1.10	0.82	0.63	0.51	0.41	0.15
	4.00	45.40	11.91	5.45	3.13	2.03	1.43	1.06	0.82	0.65	0.53	0.18
	4.50	56.99	14.96	6.84	3.92	2.55	1.79	1.33	1.03	0.82	0.67	0.20
	5.00	69.84	18.33	8.38	4.81	3.13	2.20	1.63	1.26	1.01	0.82	0.25
	5.50	83.95	22.03	10.07	5.78	3.76	2.64	1.96	1.52	1.21	0.99	0.28
	6.00	99.30	26.06	11.91	6.84	4.45	3.13	2.32	1.79	1.43	1.17	0.33
	6.50	115.88	30.41	13.91	7.98	5.19	3.65	2.71	2.09	1.67	1.36	0.37
	7.00	133.70	35.09	16.04	9.21	5.99	4.21	3.13	2.42	1.93	1.57	0.42
	7.50	152.74	40.08	18.33	10.52	6.84	4.81	3.57	2.76	2.20	1.79	0.50
	8.00	173.01	45.40	20.76	11.91	7.75	5.45	4.05	3.13	2.49	2.03	0.56

Model Type PR\_PRF\_PRC  
 Pressure Drop: Same End

Radiator Pressure Drop - Foot Of Head Per Radiator



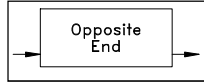
		RADIATOR MODEL									CONNECTION PD
		PR / PRF / PRC									PER CONNECTION
		-2	-3	-4	-5	-6	-7	-8	-9	-10	1/2"
LOW PRESSURE TUBE		NUMBER OF TUBES WITH SUPPLY WATER FLOW									CONN
		1	1	2	2	3	3	4	4	5	PD
GPM	0.50	0.21	0.21	0.05	0.05	0.02	0.02	0.01	0.01	0.01	0.01
	0.75	0.45	0.45	0.12	0.12	0.05	0.05	0.03	0.03	0.02	0.01
	1.00	0.79	0.79	0.21	0.21	0.09	0.09	0.05	0.05	0.04	0.03
	1.50	1.72	1.72	0.45	0.45	0.21	0.21	0.12	0.12	0.08	0.04
	2.00	3.00	3.00	0.79	0.79	0.36	0.36	0.21	0.21	0.13	0.06
	2.50	4.61	4.61	1.21	1.21	0.55	0.55	0.32	0.32	0.21	0.08
	3.00	6.56	6.56	1.72	1.72	0.79	0.79	0.45	0.45	0.29	0.10
	3.50	8.83	8.83	2.32	2.32	1.06	1.06	0.61	0.61	0.40	0.15
	4.00	11.42	11.42	3.00	3.00	1.37	1.37	0.79	0.79	0.51	0.18
	4.50	14.34	14.34	3.76	3.76	1.72	1.72	0.99	0.99	0.64	0.20
	5.00	17.57	17.57	4.61	4.61	2.11	2.11	1.21	1.21	0.79	0.25
	5.50	21.12	21.12	5.54	5.54	2.53	2.53	1.45	1.45	0.95	0.28
	6.00	24.98	24.98	6.56	6.56	3.00	3.00	1.72	1.72	1.12	0.33
	6.50	29.15	29.15	7.65	7.65	3.50	3.50	2.01	2.01	1.31	0.37
	7.00	33.64	33.64	8.83	8.83	4.04	4.04	2.32	2.32	1.51	0.42
	7.50	38.43	38.43	10.08	10.08	4.61	4.61	2.65	2.65	1.72	0.50
	8.00	43.52	43.52	11.42	11.42	5.22	5.22	3.00	3.00	1.95	0.56
MEDIUM PRESSURE TUBE											
GPM	0.50	0.46	0.46	0.12	0.12	0.06	0.06	0.03	0.03	0.02	0.01
	0.75	1.00	1.00	0.26	0.26	0.12	0.12	0.07	0.07	0.04	0.01
	1.00	1.75	1.75	0.46	0.46	0.21	0.21	0.12	0.12	0.08	0.03
	1.50	3.83	3.83	1.00	1.00	0.46	0.46	0.26	0.26	0.17	0.04
	2.00	6.67	6.67	1.75	1.75	0.80	0.80	0.46	0.46	0.30	0.06
	2.50	10.26	10.26	2.69	2.69	1.23	1.23	0.71	0.71	0.46	0.08
	3.00	14.59	14.59	3.83	3.83	1.75	1.75	1.00	1.00	0.65	0.10
	3.50	19.65	19.65	5.16	5.16	2.36	2.36	1.35	1.35	0.88	0.15
	4.00	25.42	25.42	6.67	6.67	3.05	3.05	1.75	1.75	1.14	0.18
	4.50	31.91	31.91	8.37	8.37	3.83	3.83	2.20	2.20	1.43	0.20
	5.00	39.10	39.10	10.26	10.26	4.69	4.69	2.69	2.69	1.75	0.25
	5.50	47.00	47.00	12.33	12.33	5.64	5.64	3.24	3.24	2.10	0.28
	6.00	55.60	55.60	14.59	14.59	6.67	6.67	3.83	3.83	2.49	0.33
	6.50	64.88	64.88	17.03	17.03	7.79	7.79	4.47	4.47	2.90	0.37
	7.00	74.86	74.86	19.65	19.65	8.98	8.98	5.16	5.16	3.35	0.42
	7.50	85.52	85.52	22.44	22.44	10.26	10.26	5.89	5.89	3.83	0.50
	8.00	96.87	96.87	25.42	25.42	11.62	11.62	6.67	6.67	4.38	0.56
HIGH PRESSURE TUBE											
GPM	0.50	0.82	0.82	0.22	0.22	0.10	0.10	0.06	0.06	0.04	0.01
	0.75	1.79	1.79	0.47	0.47	0.22	0.22	0.12	0.12	0.08	0.01
	1.00	3.13	3.13	0.82	0.82	0.38	0.38	0.22	0.22	0.14	0.03
	1.50	6.84	6.84	1.79	1.79	0.82	0.82	0.47	0.47	0.31	0.04
	2.00	11.91	11.91	3.13	3.13	1.43	1.43	0.82	0.82	0.53	0.06
	2.50	18.33	18.33	4.81	4.81	2.20	2.20	1.26	1.26	0.82	0.08
	3.00	26.06	26.06	6.84	6.84	3.13	3.13	1.79	1.79	1.17	0.10
	3.50	35.09	35.09	9.21	9.21	4.21	4.21	2.42	2.42	1.57	0.15
	4.00	45.40	45.40	11.91	11.91	5.45	5.45	3.13	3.13	2.03	0.18
	4.50	56.99	56.99	14.96	14.96	6.84	6.84	3.92	3.92	2.55	0.20
	5.00	69.84	69.84	18.33	18.33	8.38	8.38	4.81	4.81	3.13	0.25
	5.50	83.95	83.95	22.03	22.03	10.07	10.07	5.78	5.78	3.76	0.28
	6.00	99.30	99.30	26.06	26.06	11.91	11.91	6.84	6.84	4.45	0.33
	6.50	115.88	115.88	30.41	30.41	13.91	13.91	7.98	7.98	5.19	0.37
	7.00	133.70	133.70	35.09	35.09	16.04	16.04	9.21	9.21	5.99	0.42
	7.50	152.74	152.74	40.08	40.08	18.33	18.33	10.52	10.52	6.84	0.50
	8.00	173.01	173.01	45.40	45.40	20.76	20.76	11.91	11.91	7.75	0.56





Models Type PR2\_PR2F\_PR3F  
 Pressure Drop: Opposite End

Radiator Pressure Drop - Foot Of Head Per Radiator



CONNECTION PD

PER CONNECTION

		RADIATOR MODEL										1/2"
		PR2 / PR2F / PR3F										
		-1	-2	-3	-4	-5	-6	-7	-8	-9	-10	
LOW PRESSURE TUBE		NUMBER OF TUBES WITH SUPPLY WATER FLOW										CONN
		2	4	6	8	10	12	14	16	18	20	PD
GPM	0.50	0.05	0.01	0.01	0.00	0.00	0.00	0.00	0.00	0.00	0.00	0.01
	0.75	0.12	0.03	0.01	0.01	0.01	0.00	0.00	0.00	0.00	0.00	0.01
	1.00	0.21	0.05	0.02	0.01	0.01	0.01	0.00	0.00	0.00	0.00	0.03
	1.50	0.45	0.12	0.05	0.03	0.02	0.01	0.01	0.01	0.01	0.01	0.04
	2.00	0.79	0.21	0.09	0.05	0.04	0.02	0.02	0.01	0.01	0.01	0.06
	2.50	1.21	0.32	0.15	0.08	0.05	0.04	0.03	0.02	0.02	0.01	0.08
	3.00	1.72	0.45	0.21	0.12	0.08	0.05	0.04	0.03	0.02	0.02	0.10
	3.50	2.32	0.61	0.28	0.16	0.10	0.07	0.05	0.04	0.03	0.03	0.15
	4.00	3.00	0.79	0.36	0.21	0.13	0.09	0.07	0.05	0.04	0.04	0.18
	4.50	3.76	0.99	0.45	0.26	0.17	0.12	0.09	0.07	0.05	0.04	0.20
	5.00	4.61	1.21	0.55	0.32	0.21	0.15	0.11	0.08	0.07	0.05	0.25
	5.50	5.54	1.45	0.67	0.38	0.25	0.17	0.13	0.10	0.08	0.07	0.28
	6.00	6.56	1.72	0.79	0.45	0.29	0.21	0.15	0.12	0.09	0.08	0.33
	6.50	7.65	2.01	0.92	0.53	0.34	0.24	0.18	0.14	0.11	0.09	0.37
	7.00	8.83	2.32	1.06	0.61	0.40	0.28	0.21	0.16	0.13	0.10	0.42
	7.50	10.08	2.65	1.21	0.69	0.45	0.32	0.24	0.18	0.15	0.12	0.50
8.00	11.42	3.00	1.37	0.79	0.51	0.36	0.27	0.21	0.16	0.13	0.56	

MEDIUM PRESSURE TUBE

GPM	0.50	0.12	0.03	0.01	0.01	0.01	0.00	0.00	0.00	0.00	0.00	0.01
	0.75	0.26	0.07	0.03	0.02	0.01	0.01	0.01	0.00	0.00	0.00	0.01
	1.00	0.46	0.12	0.06	0.03	0.02	0.01	0.01	0.01	0.01	0.01	0.03
	1.50	1.00	0.26	0.12	0.07	0.04	0.03	0.02	0.02	0.01	0.01	0.04
	2.00	1.75	0.46	0.21	0.12	0.08	0.06	0.04	0.03	0.03	0.02	0.06
	2.50	2.69	0.71	0.32	0.19	0.12	0.08	0.06	0.05	0.04	0.03	0.08
	3.00	3.83	1.00	0.46	0.26	0.17	0.12	0.09	0.07	0.06	0.04	0.10
	3.50	5.16	1.35	0.62	0.36	0.23	0.16	0.12	0.09	0.07	0.06	0.15
	4.00	6.67	1.75	0.80	0.46	0.30	0.21	0.16	0.12	0.10	0.08	0.18
	4.50	8.37	2.20	1.00	0.58	0.37	0.26	0.20	0.15	0.12	0.10	0.20
	5.00	10.26	2.69	1.23	0.71	0.46	0.32	0.24	0.19	0.15	0.12	0.25
	5.50	12.33	3.24	1.48	0.85	0.55	0.39	0.29	0.22	0.18	0.14	0.28
	6.00	14.59	3.83	1.75	1.00	0.65	0.46	0.34	0.26	0.21	0.17	0.33
	6.50	17.03	4.47	2.04	1.17	0.76	0.54	0.40	0.31	0.25	0.20	0.37
	7.00	19.65	5.16	2.36	1.35	0.88	0.62	0.46	0.36	0.28	0.23	0.42
	7.50	22.44	5.89	2.69	1.55	1.00	0.71	0.52	0.41	0.32	0.26	0.50
8.00	25.42	6.67	3.05	1.75	1.14	0.80	0.59	0.46	0.37	0.30	0.56	

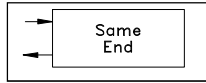
HIGH PRESSURE TUBE

GPM	0.50	0.22	0.06	0.03	0.01	0.01	0.01	0.01	0.00	0.00	0.00	0.01
	0.75	0.47	0.12	0.06	0.03	0.02	0.01	0.01	0.01	0.01	0.01	0.01
	1.00	0.82	0.22	0.10	0.06	0.04	0.03	0.02	0.01	0.01	0.01	0.03
	1.50	1.79	0.47	0.22	0.12	0.08	0.06	0.04	0.03	0.03	0.02	0.04
	2.00	3.13	0.82	0.38	0.22	0.14	0.10	0.07	0.06	0.05	0.04	0.06
	2.50	4.81	1.26	0.58	0.33	0.22	0.15	0.11	0.09	0.07	0.06	0.08
	3.00	6.84	1.79	0.82	0.47	0.31	0.22	0.16	0.12	0.10	0.08	0.10
	3.50	9.21	2.42	1.10	0.63	0.41	0.29	0.22	0.17	0.13	0.11	0.15
	4.00	11.91	3.13	1.43	0.82	0.53	0.38	0.28	0.22	0.17	0.14	0.18
	4.50	14.96	3.92	1.79	1.03	0.67	0.47	0.35	0.27	0.22	0.18	0.20
	5.00	18.33	4.81	2.20	1.26	0.82	0.58	0.43	0.33	0.26	0.22	0.25
	5.50	22.03	5.78	2.64	1.52	0.99	0.69	0.52	0.40	0.32	0.26	0.28
	6.00	26.06	6.84	3.13	1.79	1.17	0.82	0.61	0.47	0.38	0.31	0.33
	6.50	30.41	7.98	3.65	2.09	1.36	0.96	0.71	0.55	0.44	0.36	0.37
	7.00	35.09	9.21	4.21	2.42	1.57	1.10	0.82	0.63	0.51	0.41	0.42
	7.50	40.08	10.52	4.81	2.76	1.79	1.26	0.94	0.72	0.58	0.47	0.50
8.00	45.40	11.91	5.45	3.13	2.03	1.43	1.06	0.82	0.65	0.53	0.56	



Models Type PR2\_PR2F\_PR3F  
 Pressure Drop: Same End

Radiator Pressure Drop - Foot Of Head Per Radiator



CONNECTION PD

PER CONNECTION

LOW PRESSURE TUBE	RADIATOR MODEL										1/2" CONN PD
	PR2 / PR2F / PR3F										
	-1	-2	-3	-4	-5	-6	-7	-8	-9	-10	
	NUMBER OF TUBES WITH SUPPLY WATER FLOW										
	1	2	3	4	5	6	6	8	8	10	
GPM	0.50	0.21	0.05	0.02	0.01	0.01	0.01	0.01	0.00	0.00	0.01
	0.75	0.45	0.12	0.05	0.03	0.02	0.01	0.01	0.01	0.01	0.01
	1.00	0.79	0.21	0.09	0.05	0.04	0.02	0.02	0.01	0.01	0.03
	1.50	1.72	0.45	0.21	0.12	0.08	0.05	0.05	0.03	0.03	0.04
	2.00	3.00	0.79	0.36	0.21	0.13	0.09	0.09	0.05	0.05	0.06
	2.50	4.61	1.21	0.55	0.32	0.21	0.15	0.15	0.08	0.08	0.08
	3.00	6.56	1.72	0.79	0.45	0.29	0.21	0.21	0.12	0.12	0.10
	3.50	8.83	2.32	1.06	0.61	0.40	0.28	0.28	0.16	0.16	0.15
	4.00	11.42	3.00	1.37	0.79	0.51	0.36	0.36	0.21	0.21	0.18
	4.50	14.34	3.76	1.72	0.99	0.64	0.45	0.45	0.26	0.26	0.20
	5.00	17.57	4.61	2.11	1.21	0.79	0.55	0.55	0.32	0.32	0.25
	5.50	21.12	5.54	2.53	1.45	0.95	0.67	0.67	0.38	0.38	0.28
	6.00	24.98	6.56	3.00	1.72	1.12	0.79	0.79	0.45	0.45	0.33
	6.50	29.15	7.65	3.50	2.01	1.31	0.92	0.92	0.53	0.53	0.37
	7.00	33.64	8.83	4.04	2.32	1.51	1.06	1.06	0.61	0.61	0.42
	7.50	38.43	10.08	4.61	2.65	1.72	1.21	1.21	0.69	0.69	0.50
	8.00	43.52	11.42	5.22	3.00	1.95	1.37	1.37	0.79	0.79	0.56

MEDIUM PRESSURE TUBE

GPM	0.50	0.46	0.12	0.06	0.03	0.02	0.01	0.01	0.01	0.01	0.01
	0.75	1.00	0.26	0.12	0.07	0.04	0.03	0.03	0.02	0.02	0.01
	1.00	1.75	0.46	0.21	0.12	0.08	0.06	0.06	0.03	0.03	0.02
	1.50	3.83	1.00	0.46	0.26	0.17	0.12	0.12	0.07	0.07	0.04
	2.00	6.67	1.75	0.80	0.46	0.30	0.21	0.21	0.12	0.12	0.08
	2.50	10.26	2.69	1.23	0.71	0.46	0.32	0.32	0.19	0.19	0.12
	3.00	14.59	3.83	1.75	1.00	0.65	0.46	0.46	0.26	0.26	0.17
	3.50	19.65	5.16	2.36	1.35	0.88	0.62	0.62	0.36	0.36	0.23
	4.00	25.42	6.67	3.05	1.75	1.14	0.80	0.80	0.46	0.46	0.30
	4.50	31.91	8.37	3.83	2.20	1.43	1.00	1.00	0.58	0.58	0.37
	5.00	39.10	10.26	4.69	2.69	1.75	1.23	1.23	0.71	0.71	0.46
	5.50	47.00	12.33	5.64	3.24	2.10	1.48	1.48	0.85	0.85	0.55
	6.00	55.60	14.59	6.67	3.83	2.49	1.75	1.75	1.00	1.00	0.65
	6.50	64.88	17.03	7.79	4.47	2.90	2.04	2.04	1.17	1.17	0.76
	7.00	74.86	19.65	8.98	5.16	3.35	2.36	2.36	1.35	1.35	0.88
	7.50	85.52	22.44	10.26	5.89	3.83	2.69	2.69	1.55	1.55	1.00
	8.00	96.87	25.42	11.62	6.67	4.34	3.05	3.05	1.75	1.75	1.14

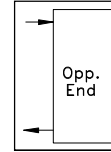
HIGH PRESSURE TUBE

GPM	0.50	0.82	0.22	0.10	0.06	0.04	0.03	0.03	0.01	0.01	0.01
	0.75	1.79	0.47	0.22	0.12	0.08	0.06	0.06	0.03	0.03	0.02
	1.00	3.13	0.82	0.38	0.22	0.14	0.10	0.10	0.06	0.06	0.04
	1.50	6.84	1.79	0.82	0.47	0.31	0.22	0.22	0.12	0.12	0.08
	2.00	11.91	3.13	1.43	0.82	0.53	0.38	0.38	0.22	0.22	0.14
	2.50	18.33	4.81	2.20	1.26	0.82	0.58	0.58	0.33	0.33	0.22
	3.00	26.06	6.84	3.13	1.79	1.17	0.82	0.82	0.47	0.47	0.31
	3.50	35.09	9.21	4.21	2.42	1.57	1.10	1.10	0.63	0.63	0.41
	4.00	45.40	11.91	5.45	3.13	2.03	1.43	1.43	0.82	0.82	0.53
	4.50	56.99	14.96	6.84	3.92	2.55	1.79	1.79	1.03	1.03	0.67
	5.00	69.84	18.33	8.38	4.81	3.13	2.20	2.20	1.26	1.26	0.82
	5.50	83.95	22.03	10.07	5.78	3.76	2.64	2.64	1.52	1.52	0.99
	6.00	99.30	26.06	11.91	6.84	4.45	3.13	3.13	1.79	1.79	1.17
	6.50	115.88	30.41	13.91	7.98	5.19	3.65	3.65	2.09	2.09	1.36
	7.00	133.70	35.09	16.04	9.21	5.99	4.21	4.21	2.42	2.42	1.57
	7.50	152.74	40.08	18.33	10.52	6.84	4.81	4.81	2.76	2.76	1.79
	8.00	173.01	45.40	20.76	11.91	7.75	5.45	5.45	3.13	3.13	2.03



Model Type PRV  
Pressure Drop: Opposite End

Radiator Pressure Drop - Foot Of Head Per Radiator

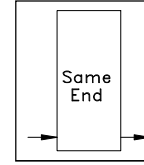


CONNECTION PD

		RADIATOR MODEL										PER CONNECTION
		PRV-1	PRV-2	PRV-3	PRV-4	PRV-5	PRV-6	PRV-7	PRV-8	PRV-9	PRV-10	1/2" CONN PD
LOW PRESSURE TUBE		NUMBER OF TUBES WITH SUPPLY WATER FLOW										
		1	2	3	4	5	6	7	8	9	10	
GPM	0.50	0.21	0.05	0.02	0.01	0.01	0.01	0.00	0.00	0.00	0.00	0.01
	0.75	0.45	0.12	0.05	0.03	0.02	0.01	0.01	0.01	0.01	0.01	0.01
	1.00	0.79	0.21	0.09	0.05	0.04	0.02	0.02	0.01	0.01	0.01	0.03
	1.50	1.72	0.45	0.21	0.12	0.08	0.05	0.04	0.03	0.02	0.02	0.04
	2.00	3.00	0.79	0.36	0.21	0.13	0.09	0.07	0.05	0.04	0.04	0.06
	2.50	4.61	1.21	0.55	0.32	0.21	0.15	0.11	0.08	0.07	0.05	0.08
	3.00	6.56	1.72	0.79	0.45	0.29	0.21	0.15	0.12	0.09	0.08	0.10
	3.50	8.83	2.32	1.06	0.61	0.40	0.28	0.21	0.16	0.13	0.10	0.15
	4.00	11.42	3.00	1.37	0.79	0.51	0.36	0.27	0.21	0.16	0.13	0.18
	4.50	14.34	3.76	1.72	0.99	0.64	0.45	0.34	0.26	0.21	0.17	0.20
	5.00	17.57	4.61	2.11	1.21	0.79	0.55	0.41	0.32	0.25	0.21	0.25
	5.50	21.12	5.54	2.53	1.45	0.95	0.67	0.49	0.38	0.30	0.25	0.28
	6.00	24.98	6.56	3.00	1.72	1.12	0.79	0.58	0.45	0.36	0.29	0.33
	6.50	29.15	7.65	3.50	2.01	1.31	0.92	0.68	0.53	0.42	0.34	0.37
	7.00	33.64	8.83	4.04	2.32	1.51	1.06	0.79	0.61	0.48	0.40	0.42
	7.50	38.43	10.08	4.61	2.65	1.72	1.21	0.90	0.69	0.55	0.45	0.50
8.00	43.52	11.42	5.22	3.00	1.95	1.37	1.02	0.79	0.63	0.51	0.56	
MEDIUM PRESSURE TUBE												
GPM	0.50	0.46	0.12	0.06	0.03	0.02	0.01	0.01	0.01	0.01	0.01	0.01
	0.75	1.00	0.26	0.12	0.07	0.04	0.03	0.02	0.02	0.01	0.01	0.01
	1.00	1.75	0.46	0.21	0.12	0.08	0.06	0.04	0.03	0.03	0.02	0.03
	1.50	3.83	1.00	0.46	0.26	0.17	0.12	0.09	0.07	0.06	0.04	0.04
	2.00	6.67	1.75	0.80	0.46	0.30	0.21	0.16	0.12	0.10	0.08	0.06
	2.50	10.26	2.69	1.23	0.71	0.46	0.32	0.24	0.19	0.15	0.12	0.08
	3.00	14.59	3.83	1.75	1.00	0.65	0.46	0.34	0.26	0.21	0.17	0.10
	3.50	19.65	5.16	2.36	1.35	0.88	0.62	0.46	0.36	0.28	0.23	0.15
	4.00	25.42	6.67	3.05	1.75	1.14	0.80	0.59	0.46	0.37	0.30	0.18
	4.50	31.91	8.37	3.83	2.20	1.43	1.00	0.75	0.58	0.46	0.37	0.20
	5.00	39.10	10.26	4.69	2.69	1.75	1.23	0.91	0.71	0.56	0.46	0.25
	5.50	47.00	12.33	5.64	3.24	2.10	1.48	1.10	0.85	0.68	0.55	0.28
	6.00	55.60	14.59	6.67	3.83	2.49	1.75	1.30	1.00	0.80	0.65	0.33
	6.50	64.88	17.03	7.79	4.47	2.90	2.04	1.52	1.17	0.93	0.76	0.37
	7.00	74.86	19.65	8.98	5.16	3.35	2.36	1.75	1.35	1.08	0.88	0.42
	7.50	85.52	22.44	10.26	5.89	3.83	2.69	2.00	1.55	1.23	1.00	0.50
8.00	96.87	25.42	11.62	6.67	4.34	3.05	2.27	1.75	1.39	1.14	0.56	
HIGH PRESSURE TUBE												
GPM	0.50	0.82	0.22	0.10	0.06	0.04	0.03	0.02	0.01	0.01	0.01	0.01
	0.75	1.79	0.47	0.22	0.12	0.08	0.06	0.04	0.03	0.03	0.02	0.01
	1.00	3.13	0.82	0.38	0.22	0.14	0.10	0.07	0.06	0.05	0.04	0.03
	1.50	6.84	1.79	0.82	0.47	0.31	0.22	0.16	0.12	0.10	0.08	0.04
	2.00	11.91	3.13	1.43	0.82	0.53	0.38	0.28	0.22	0.17	0.14	0.06
	2.50	18.33	4.81	2.20	1.26	0.82	0.58	0.43	0.33	0.26	0.22	0.08
	3.00	26.06	6.84	3.13	1.79	1.17	0.82	0.61	0.47	0.38	0.31	0.10
	3.50	35.09	9.21	4.21	2.42	1.57	1.10	0.82	0.63	0.51	0.41	0.15
	4.00	45.40	11.91	5.45	3.13	2.03	1.43	1.06	0.82	0.65	0.53	0.18
	4.50	56.99	14.96	6.84	3.92	2.55	1.79	1.33	1.03	0.82	0.67	0.20
	5.00	69.84	18.33	8.38	4.81	3.13	2.20	1.63	1.26	1.01	0.82	0.25
	5.50	83.95	22.03	10.07	5.78	3.76	2.64	1.96	1.52	1.21	0.99	0.28
	6.00	99.30	26.06	11.91	6.84	4.45	3.13	2.32	1.79	1.43	1.17	0.33
	6.50	115.88	30.41	13.91	7.98	5.19	3.65	2.71	2.09	1.67	1.36	0.37
	7.00	133.70	35.09	16.04	9.21	5.99	4.21	3.13	2.42	1.93	1.57	0.42
	7.50	152.74	40.08	18.33	10.52	6.84	4.81	3.57	2.76	2.20	1.79	0.50
8.00	173.01	45.40	20.76	11.91	7.75	5.45	4.05	3.13	2.49	2.03	0.56	

Models Type PRV  
 Pressure Drop: Same End

Radiator Pressure Drop - Foot Of Head Per Radiator



CONNECTION PD

		RADIATOR MODEL									PER CONNECTION
		PRV-2	PRV-3	PRV-4	PRV-5	PRV-6	PRV-7	PRV-8	PRV-9	PRV-10	1/2" CONN PD
LOW PRESSURE TUBE		NUMBER OF TUBES WITH SUPPLY WATER FLOW									
		1	1	1	2	2	2	3	3	3	
	0.50	0.21	0.21	0.21	0.05	0.05	0.05	0.02	0.02	0.02	0.01
	0.75	0.45	0.45	0.45	0.12	0.12	0.12	0.05	0.05	0.05	0.01
	1.00	0.79	0.79	0.79	0.21	0.21	0.21	0.09	0.09	0.09	0.03
	1.50	1.72	1.72	1.72	0.45	0.45	0.45	0.21	0.21	0.21	0.04
	2.00	3.00	3.00	3.00	0.79	0.79	0.79	0.36	0.36	0.36	0.06
	2.50	4.61	4.61	4.61	1.21	1.21	1.21	0.55	0.55	0.55	0.08
	3.00	6.56	6.56	6.56	1.72	1.72	1.72	0.79	0.79	0.79	0.10
	3.50	8.83	8.83	8.83	2.32	2.32	2.32	1.06	1.06	1.06	0.15
GPM	4.00	11.42	11.42	11.42	3.00	3.00	3.00	1.37	1.37	1.37	0.18
	4.50	14.34	14.34	14.34	3.76	3.76	3.76	1.72	1.72	1.72	0.20
	5.00	17.57	17.57	17.57	4.61	4.61	4.61	2.11	2.11	2.11	0.25
	5.50	21.12	21.12	21.12	5.54	5.54	5.54	2.53	2.53	2.53	0.28
	6.00	24.98	24.98	24.98	6.56	6.56	6.56	3.00	3.00	3.00	0.33
	6.50	29.15	29.15	29.15	7.65	7.65	7.65	3.50	3.50	3.50	0.37
	7.00	33.64	33.64	33.64	8.83	8.83	8.83	4.04	4.04	4.04	0.42
	7.50	38.43	38.43	38.43	10.08	10.08	10.08	4.61	4.61	4.61	0.50
	8.00	43.52	43.52	43.52	11.42	11.42	11.42	5.22	5.22	5.22	0.56
MEDIUM PRESSURE TUBE											
	0.50	0.46	0.46	0.46	0.12	0.12	0.12	0.06	0.06	0.06	0.01
	0.75	1.00	1.00	1.00	0.26	0.26	0.26	0.12	0.12	0.12	0.01
	1.00	1.75	1.75	1.75	0.46	0.46	0.46	0.21	0.21	0.21	0.03
	1.50	3.83	3.83	3.83	1.00	1.00	1.00	0.46	0.46	0.46	0.04
	2.00	6.67	6.67	6.67	1.75	1.75	1.75	0.80	0.80	0.80	0.06
	2.50	10.26	10.26	10.26	2.69	2.69	2.69	1.23	1.23	1.23	0.08
	3.00	14.59	14.59	14.59	3.83	3.83	3.83	1.75	1.75	1.75	0.10
	3.50	19.65	19.65	19.65	5.16	5.16	5.16	2.36	2.36	2.36	0.15
GPM	4.00	25.42	25.42	25.42	6.67	6.67	6.67	3.05	3.05	3.05	0.18
	4.50	31.91	31.91	31.91	8.37	8.37	8.37	3.83	3.83	3.83	0.20
	5.00	39.10	39.10	39.10	10.26	10.26	10.26	4.69	4.69	4.69	0.25
	5.50	47.00	47.00	47.00	12.33	12.33	12.33	5.64	5.64	5.64	0.28
	6.00	55.60	55.60	55.60	14.59	14.59	14.59	6.67	6.67	6.67	0.33
	6.50	64.88	64.88	64.88	17.03	17.03	17.03	7.79	7.79	7.79	0.37
	7.00	74.86	74.86	74.86	19.65	19.65	19.65	8.98	8.98	8.98	0.42
	7.50	85.52	85.52	85.52	22.44	22.44	22.44	10.26	10.26	10.26	0.50
	8.00	96.87	96.87	96.87	25.42	25.42	25.42	11.62	11.62	11.62	0.56
HIGH PRESSURE TUBE											
	0.50	0.82	0.82	0.82	0.22	0.22	0.22	0.10	0.10	0.10	0.01
	0.75	1.79	1.79	1.79	0.47	0.47	0.47	0.22	0.22	0.22	0.01
	1.00	3.13	3.13	3.13	0.82	0.82	0.82	0.38	0.38	0.38	0.03
	1.50	6.84	6.84	6.84	1.79	1.79	1.79	0.82	0.82	0.82	0.04
	2.00	11.91	11.91	11.91	3.13	3.13	3.13	1.43	1.43	1.43	0.06
	2.50	18.33	18.33	18.33	4.81	4.81	4.81	2.20	2.20	2.20	0.08
	3.00	26.06	26.06	26.06	6.84	6.84	6.84	3.13	3.13	3.13	0.10
	3.50	35.09	35.09	35.09	9.21	9.21	9.21	4.21	4.21	4.21	0.15
GPM	4.00	45.40	45.40	45.40	11.91	11.91	11.91	5.45	5.45	5.45	0.18
	4.50	56.99	56.99	56.99	14.96	14.96	14.96	6.84	6.84	6.84	0.20
	5.00	69.84	69.84	69.84	18.33	18.33	18.33	8.38	8.38	8.38	0.25
	5.50	83.95	83.95	83.95	22.03	22.03	22.03	10.07	10.07	10.07	0.28
	6.00	99.30	99.30	99.30	26.06	26.06	26.06	11.91	11.91	11.91	0.33
	6.50	115.88	115.88	115.88	30.41	30.41	30.41	13.91	13.91	13.91	0.37
	7.00	133.70	133.70	133.70	35.09	35.09	35.09	16.04	16.04	16.04	0.42
	7.50	152.74	152.74	152.74	40.08	40.08	40.08	18.33	18.33	18.33	0.50
	8.00	173.01	173.01	173.01	45.40	45.40	45.40	20.76	20.76	20.76	0.56