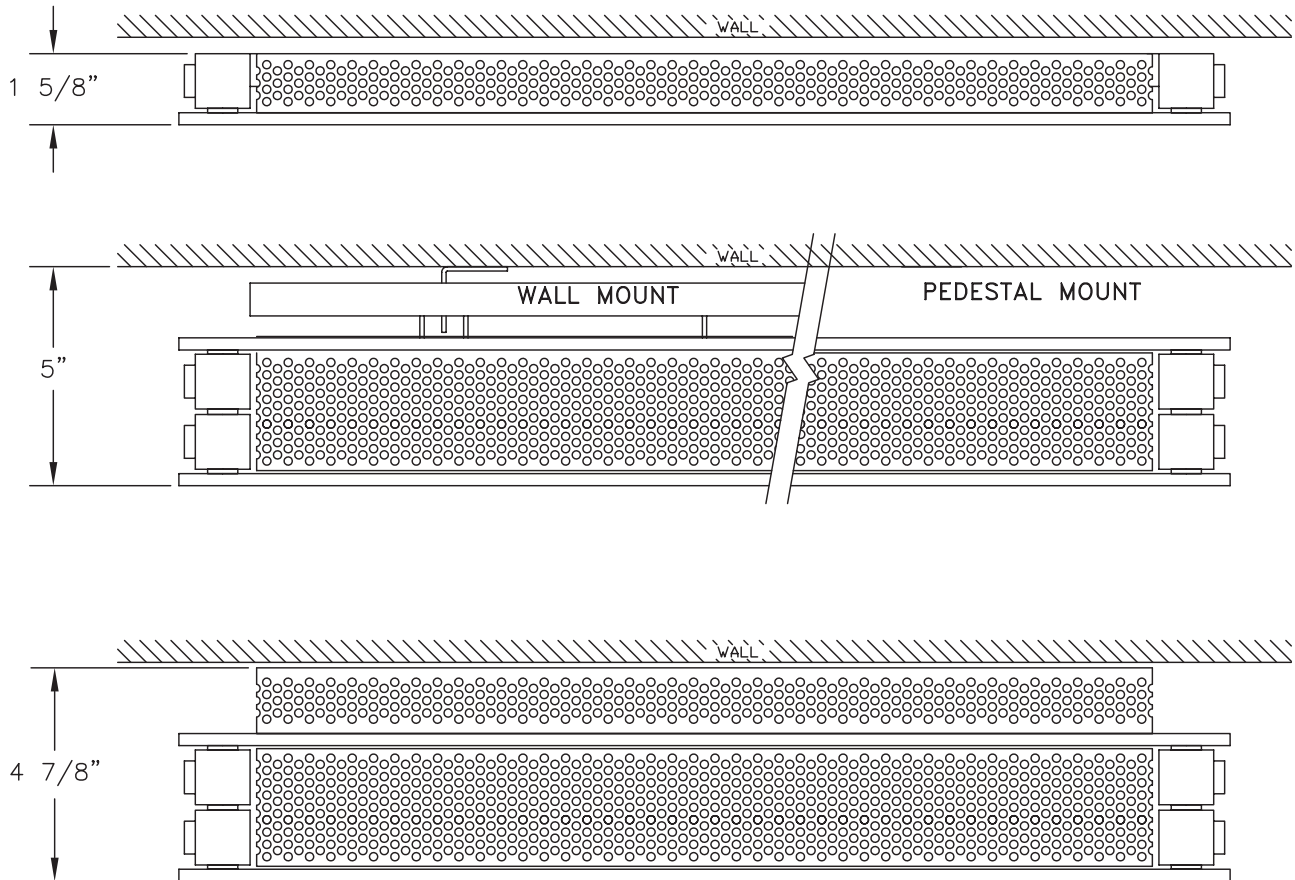


# PANEL RADIATOR

## Standard Accessories Submittal

PRA-1

### PERFORATED GRILLE OPTIONAL ACCESSORY



THE 16GA GRILLE WITH 3/16" DIAMETER HOLES ON 1/4" STAGGERED CENTERLINES PROVIDES A PENCIL PROOF FLAT TOP TO ANY STANDARD PANEL. THIS ALLOWS FOR A MORE CONTINUOUS LOOK AND PREVENTS UNWANTED BUILD UP BETWEEN THE FINS. THE GRILLE IS PAINTED AND FINISHED WITH POLYESTER EPOXY POWDER TO MATCH THE RADIATOR. ADDING THE PERFORATED GRILLE MAY REDUCE THE OUTPUT OF SOME MODELS.

CAT-75579A



## STERLING®

COMMERCIAL HYDRONIC PRODUCTS

260 North Elm St., Westfield, MA 01085

(413) 564-5535 Fax: (413) 562-8437

www.sterlingheat.com

PROJECT: \_\_\_\_\_ DATE: \_\_\_\_\_

LOCATION: \_\_\_\_\_

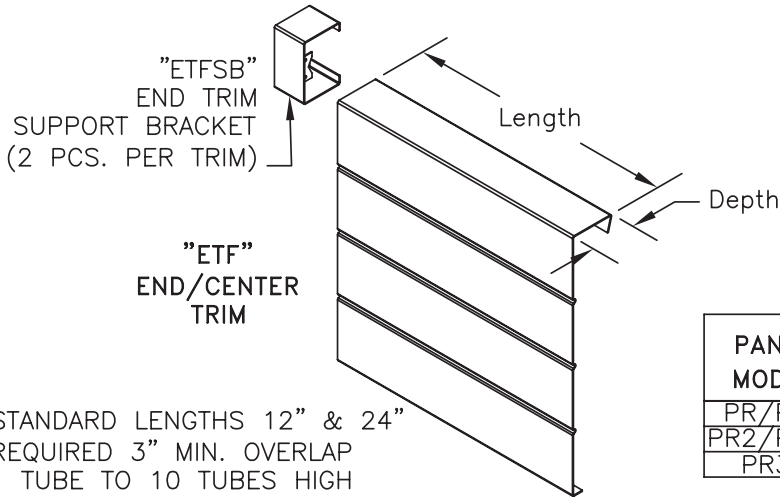
ARCHITECT: \_\_\_\_\_

ENGINEER: \_\_\_\_\_

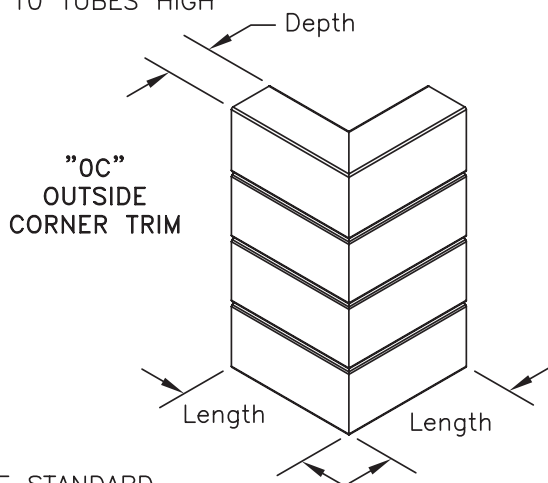
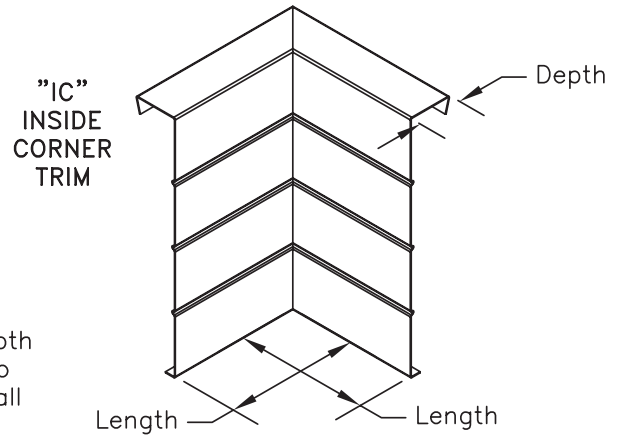
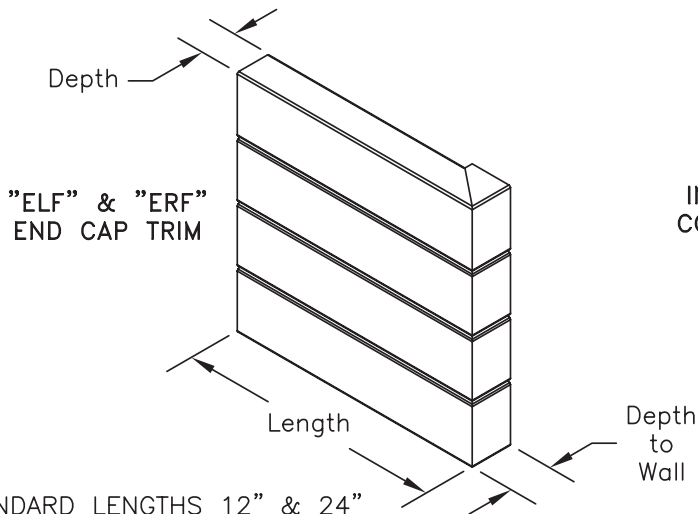
CONTRACTOR: \_\_\_\_\_

PO NUMBER: \_\_\_\_\_

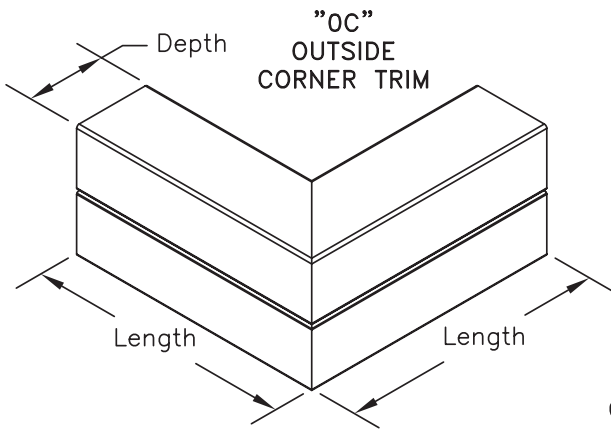
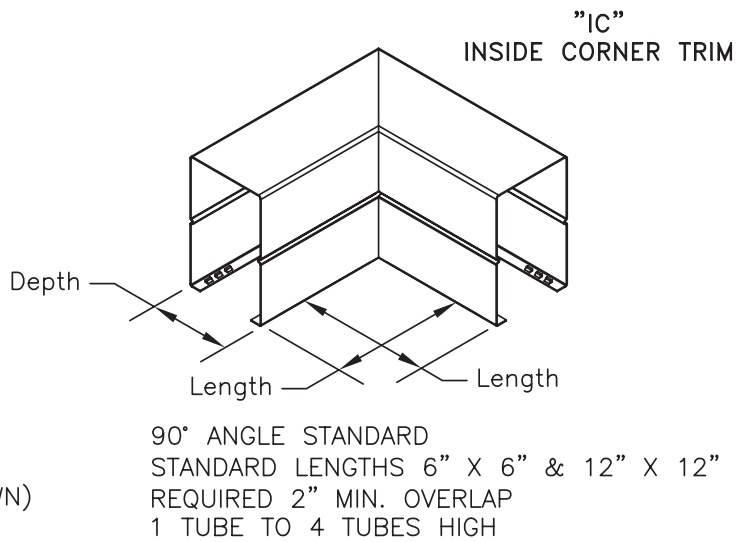
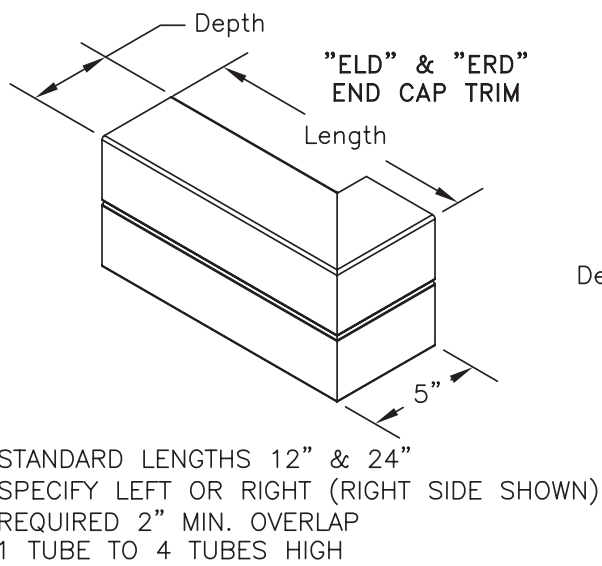
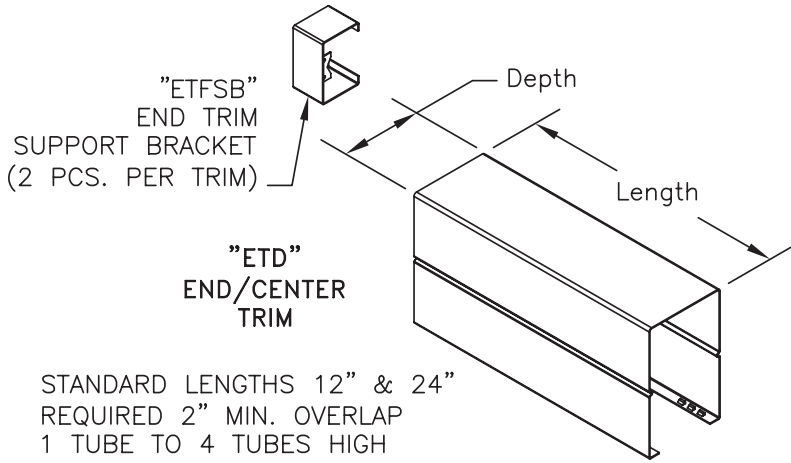
# FULL TRIM ACCESSORIES



PANEL MODEL	DEPTH	DEPTH TO WALL	LENGTH	
			"ETF", "ELF", "ERF"	"IC", "OC", &
PR/PRF	1 5/8"	2"	12"	6"x6"
PR2/PR2F	3 3/8"	5"	&	&
PR3F	4 7/8"	5"	24"	12"x12"



# FULL SADDLE TRIM ACCESSORIES

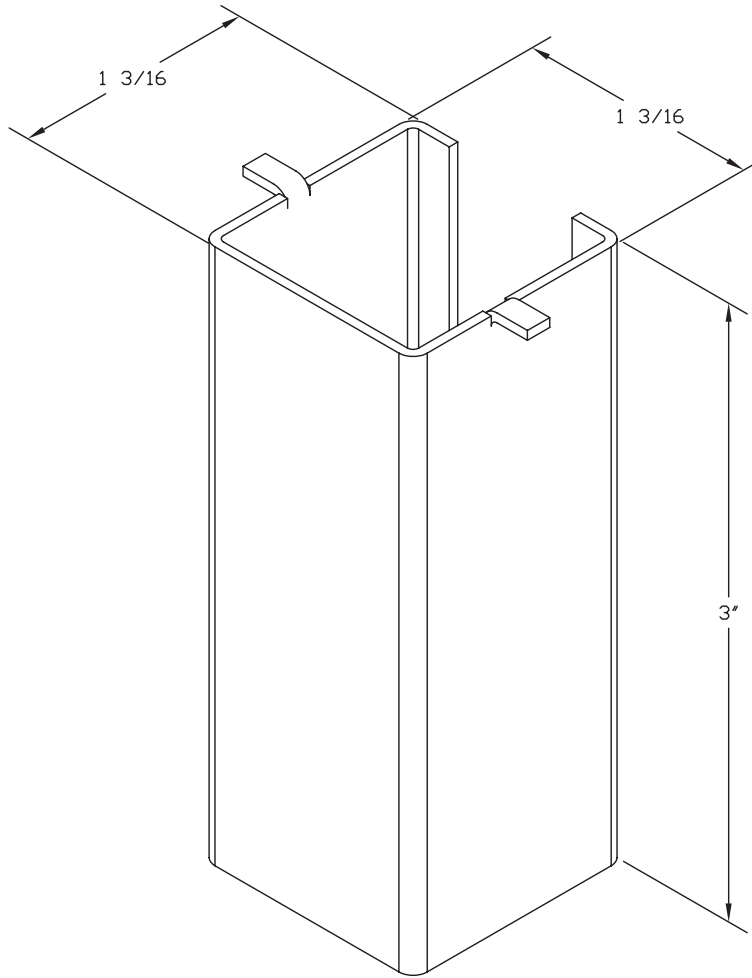


PANEL MODEL	DEPTH	LENGTH	
		"ETD", "ELD", "ERD"	"IC" & "OC"
PR2/PR2F	3 5/8"	12" & 24"	6" X 6"
PR3F	4 7/8"		& 12" X 12"

**GENERAL NOTES:**

- 1) ONLY AVAILABLE UP TO 4 TUBES HIGH
- 2) STANDARD APPLICATION IS PEDESTAL MOUNTED PANEL RADIATORS

# VERTICAL PIPE TRIM



"PRVPT"  
VERTICAL  
PIPE TRIM

STANDARD SIZES:  
HEIGHT 3" OR 10" AVAILABLE

CAT-76578